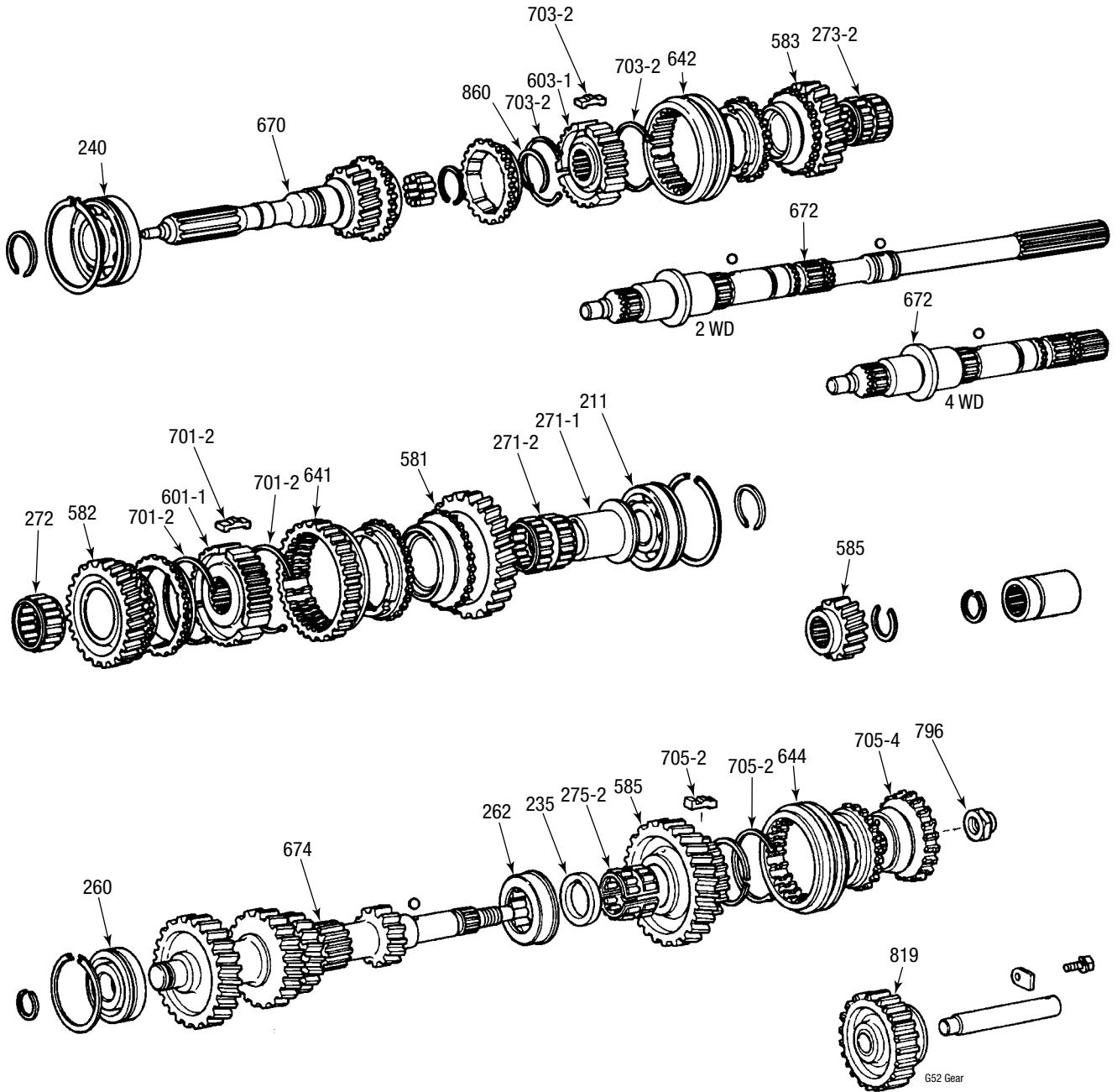
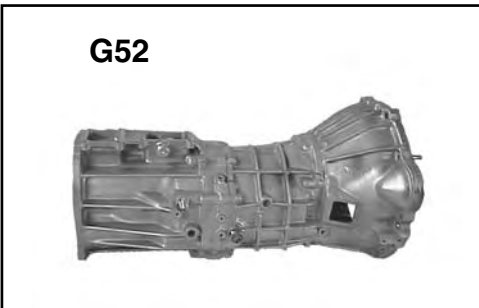


Toyota G52

G40, G52, G57, G58, G59



Toyota G52



G52

ILL#	Description	Part #	Reference
Bearing Kit Without Synchros		Bearing Kit	
	G40, G52 (w/ Nut on the back of the Cluster Gear)	BK160	
(20mm Wide Input Bearing)		
	G40, G52 (w/ Nut on the back of the Cluster Gear)	BK161	
(23mm Wide Input Bearing)		
	G57, G58, G59 (w/ Snap Ring on the back of the Cluster Gear)	BK161L	
(except 1984-89 Toyota Van)		
	G57, G58, G59 (w/ Snap Ring on the back of the Cluster Gear)	BK161B	
(1984-89 Toyota Van only)		
Bearing Kit With Synchros & Synchro Kits		Bearing Kit	Synchro Kit
	G40, G52 (w/ Nut on the back of the Cluster Gear)	BK160WS	SRK157
(20mm Wide Input Bearing)		
	G40, G52 (w/ Nut on the back of the Cluster Gear)	BK161WS	SRK157
(23mm Wide Input Bearing)		
	G57, G58, G59 (w/ Snap Ring on the back of the Cluster Gear)	BK161LWS	SRK157
(except 1984-89 Toyota Van)		
	G57, G58, G59 (w/ Snap Ring on the back of the Cluster Gear)	BK161BWS	SRK157
(1984-89 Toyota Van only)		
Gasket & Seal Kits			
	Gasket & Seal Kit	372002	G45G
Gaskets & Seals			
	Adapter Gasket	307304	TC2030-G52
070	Seal, Front	372070	11615
Small Parts Kits			
	Small Parts Kit	372001	SPG52-50
Bearings & Races			
240	Input Bearing (20mm Thick) (84-88)	317287	B32-14UR
240	Input Bearing (23mm Thick) (8/83-12/83)	372210	32TM03UR
271-1	1st Gear Inner Race (to 7/1988)	317271-1	83500560
271-1	1st Gear Inner Race (8/88-Up)	372271-1A	83506026
271-2	1st Gear Needle (84-7/88)	317271-2	83500578
271-2	1st Gear Needle (8/88-Up)	372271-2A	83506031
272-2	2nd Gear Needle	317272-2	83500577
273-2	3rd Gear Needle	317273-2	83500576
275-2	5th Gear Needle	307275-2	K26/33/33.5
Hubs & Sliders			
601-1	1-2 Hub (Inner)	317601-1	83500561
603-1	3-4 Hub (Inner)	317603-1	83500562
641	1-2 Slider	372641	83500555
642	3-4 Slider (Iron Fork Type)	372642	33364-35010
642	3-4 Slider & Fork Kit (Aluminum)	372642K	4740236
644	5th Slider (Aluminum Fork Type)	372644	G52-15
644	5th Slider (Iron Fork Type)	317644	83500642
Synchronizer Kits			
	G40, G52, G57, G58, G59 (All)	SRK157	
Synchronizer Components			
701-2	1-2 Synchro Key & Spring Kit	372701-2K	AX5-K1
703-2	3-4 Synchro Key & Spring Kit	372703-2K	AX5-K3
705-4	5th Synchro Cone	372705-4	83506024
705-2	5th Synchro Key & Spring Kit	372705-2K	AX5-K5

Toyota G52

G40, G52, G57, G58, G59

ILL#	Description	Part #	Reference
Forks			
841	1-2 Fork (Aluminum)	372841	83502662
841	1-2 Fork Kit (Replaces Iron Fork)	372841K	83500527
642	3-4 Slider & Fork Kit (Aluminum)	372642K	4740236
845	5th Fork (Iron) (84-93)	372845A	83500637
845	5th Fork (Late) (Aluminum) (94-Up)	372845	4746656
Gears			
581	1st Gear (33 T) (84-7/88)	317581	83500550
581	1st Gear (33 T) (8/88-Up)	372581A	AX5-12A
582	2nd Gear (28 T) (to 7/88)	372582A	83506018
582	2nd Gear (28 T) (8/88-Up)	317582	83500551
583	3rd Gear (27 T) (84-88)	372583	G52-11
585	5th Gear Set (24 T, 45 T)	317585K	G52-5
585	5th Gear (24 T)	307585-2	83500971
819	Reverse Idler (All)	372819	83503555
Shafts			
670	Input Shaft (uses 23mm Thick Input Bearing) (8/83-12/83)	317670	L52-16
670	Input Shaft (uses 20mm Thick Input Bearing) (84-88)	307670	G52-16
674	Cluster Shaft (Nut Type) (1983)	372674	AX5-8
674	Cluster Shaft (45-31-20-13-14) (84-88)	307674	G52-8
Retainers			
	Rear Retainer (83-87)	372736	83500508
	Rear Retainer (88-Up)	372736A	83506034
Miscellaneous Components			
	Snap Ring Kit	307860K	G52SRK
796	Cluster Gear Nut	317796	83500572
	Shift Seat (Plastic)	372832	4864226X
	Shifter Bushing (end of stick) (84-Up)	372330	83500519