

WIRING DIAGRAMS

CONTENTS

	page		page
AIR CONDITIONING-HEATER	8W-42-1	HORN/CIGAR LIGHTER	8W-41-1
AIRBAG SYSTEM	8W-43-1	INSTRUMENT CLUSTER	8W-40-1
ALL WHEEL ANTI-LOCK BRAKES	8W-35-1	INTERIOR LIGHTING	8W-44-1
AUDIO SYSTEMS	8W-47-1	POWER DISTRIBUTION	8W-10-1
CHARGING SYSTEM	8W-20-1	REAR LIGHTING	8W-51-1
COMPONENT INDEX	8W-02-1	REAR WINDOW DEFOGGER	8W-48-1
CONNECTOR PIN-OUTS	8W-80-1	SPLICE INFORMATION	8W-70-1
CONNECTOR/GROUND LOCATIONS	8W-90-1	SPLICE LOCATIONS	8W-95-1
FRONT LIGHTING	8W-50-1	STARTING SYSTEM	8W-21-1
FUSE BLOCK	8W-11-1	TRANSMISSION CONTROL SYSTEM	8W-31-1
FUEL/IGNITION SYSTEMS	8W-30-1	TURN SIGNALS	8W-52-1
GENERAL INFORMATION	8W-01-1	WIPERS	8W-53-1
GROUND DISTRIBUTION	8W-15-1		

8W-01 GENERAL INFORMATION

INDEX

	page		page
DESCRIPTION AND OPERATION		TROUBLESHOOTING TESTS	9
CIRCUIT FUNCTIONS	4	TROUBLESHOOTING TOOLS	8
CIRCUIT INFORMATION	4	TROUBLESHOOTING WIRING PROBLEMS	10
CONNECTOR INFORMATION	7	SERVICE PROCEDURES	
ELECTROSTATIC DISCHARGE (ESD)		CONNECTOR AND TERMINAL REPLACEMENT	13
SENSITIVE DEVICES	8	CONNECTOR REPLACEMENT	11
INTRODUCTION	1	DIODE REPLACEMENT	14
NOTES, CAUTIONS, and WARNINGS	7	TERMINAL REPLACEMENT	13
SECTION IDENTIFICATION	5	TERMINAL/CONNECTOR REPAIR-MOLEX	
SPLICE LOCATIONS	7	CONNECTORS	11
SYMBOLS	5	TERMINAL/CONNECTOR REPAIR—THOMAS	
TAKE OUTS	8	AND BETTS CONNECTORS	11
TERMINOLOGY	7	WIRING REPAIR	10
DIAGNOSIS AND TESTING		SPECIAL TOOLS	
INTERMITTENT AND POOR CONNECTIONS	9	WIRING/TERMINAL	15

DESCRIPTION AND OPERATION

INTRODUCTION

Chrysler wiring diagrams are designed to provide information regarding the vehicles wiring content. In order to effectively use Chrysler wiring diagrams to diagnose and repair a Chrysler vehicle, it is important to understand all of their features and characteristics.

Diagrams are arranged such that the power (B+) side of the circuit is placed near the top of the page, and the ground (B-) side of the circuit is placed near the bottom of the page.

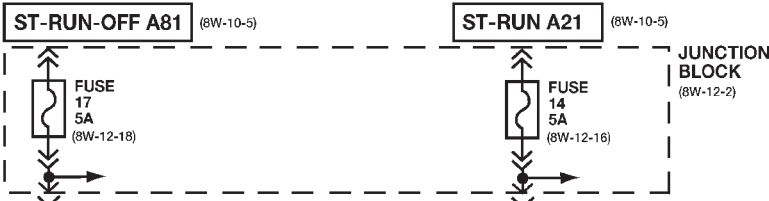
All switches, components, and modules are shown in the at rest position with the doors closed and the key removed from the ignition.

Components are shown two ways. A solid line around a component indicates that the component is complete. A dashed line around a component indicates that the component being shown is not complete. Incomplete components have a reference number to indicate the page where the component is shown complete.

It is important to realize that no attempt is made on the diagrams to represent components and wiring as they appear on the vehicle. For example, a short piece of wire is treated the same as a long one. In addition, switches and other components are shown as simply as possible, with regard to function only.

DESCRIPTION AND OPERATION (Continued)

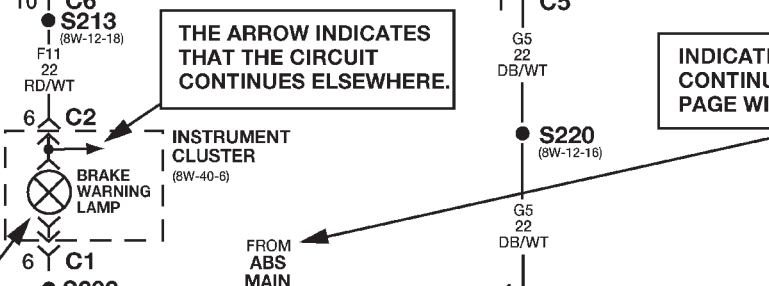
DIAGRAMS ARE ARRANGED WITH THE POWER B+ SIDE OF THE CIRCUIT NEAR THE TOP OF THE PAGE, AND THE GROUND SIDE OF THE CIRCUIT NEAR THE BOTTOM OF THE PAGE.



THE ARROW INDICATES THAT THE CIRCUIT CONTINUES ELSEWHERE.

INDICATES CIRCUIT IS CONTINUED FROM ANOTHER PAGE WITHIN THE GROUP.

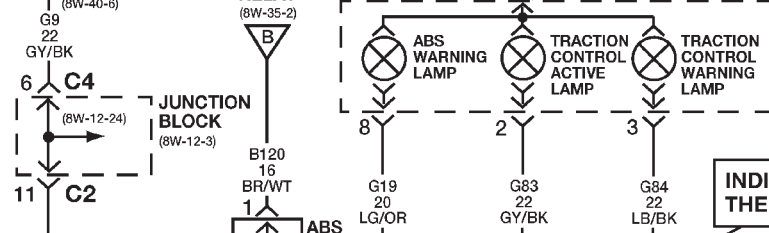
SYMBOLS USED ARE SIMILAR TO THOSE BEING USED WORLDWIDE.



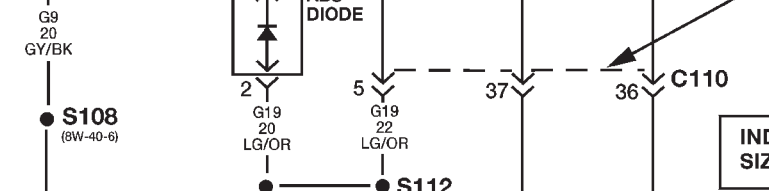
INSTRUMENT CLUSTER (8W-40-6) containing a BRAKE WARNING LAMP.



INDICATES WIRES ARE PART OF THE SAME CONNECTOR.

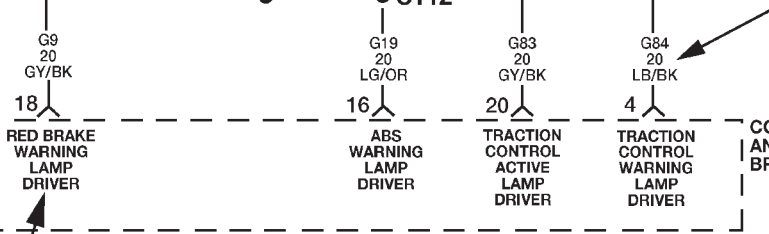


INDICATES CIRCUIT NUMBER, SIZE AND WIRE COLOR.



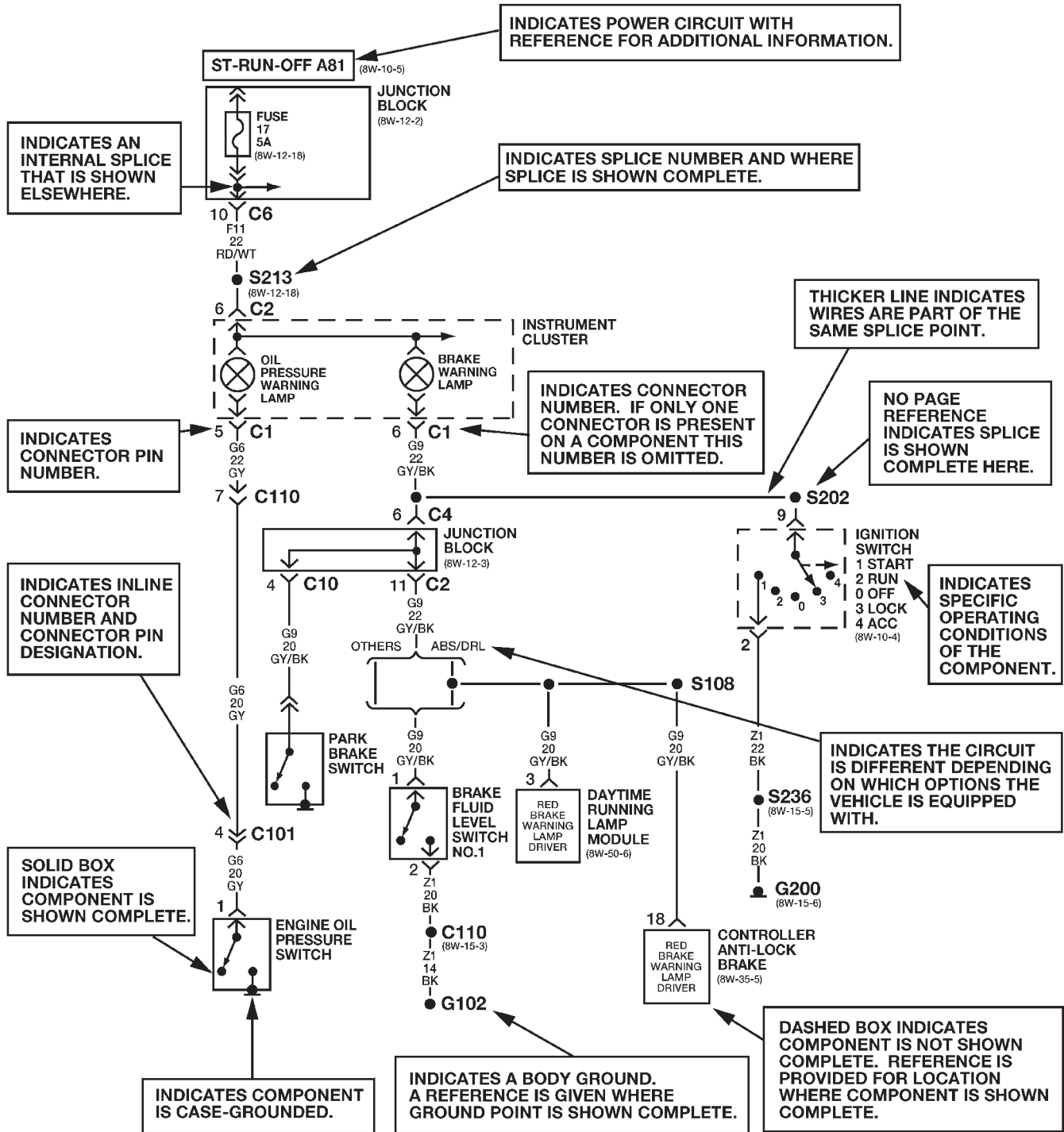
INTERNAL DESCRIPTIONS ARE GIVEN TO INDICATE THE FUNCTION OF THE CIRCUIT.

COMPONENT NAME IS ALSO USED AS THE REFERENCE FOR CONNECTOR PINOUTS.



CONTROLLER ANTI-LOCK BRAKE

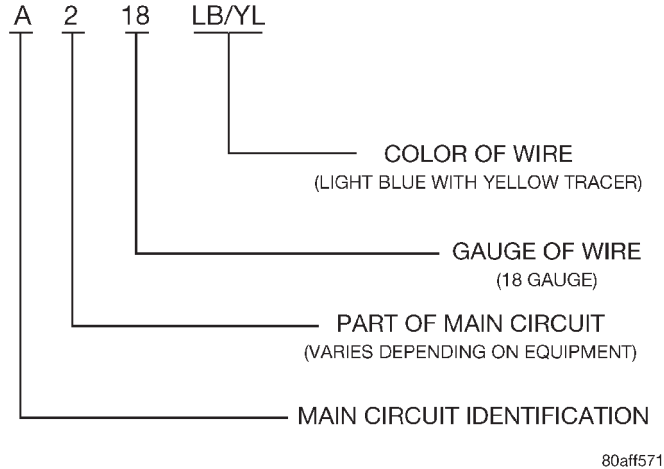
DESCRIPTION AND OPERATION (Continued)



DESCRIPTION AND OPERATION (Continued)

CIRCUIT INFORMATION

Each wire shown in the diagrams contains a code which identifies the main circuit, part of the main circuit, gage of wire, and color (Fig. 1).



80aff571

Fig. 1 Wire Code Identification

COLOR CODE	COLOR	STANDARD TRACER COLOR
BL	BLUE	WT
BK	BLACK	WT
BR	BROWN	WT
DB	DARK BLUE	WT
DG	DARK GREEN	WT
GY	GRAY	BK
LB	LIGHT BLUE	BK
LG	LIGHT GREEN	BK
OR	ORANGE	BK
PK	PINK	BK or WT
RD	RED	WT
TN	TAN	WT
VT	VIOLET	WT
WT	WHITE	BK
YL	YELLOW	BK
*	WITH TRACER	

CIRCUIT FUNCTIONS

All circuits in the diagrams use an alpha/numeric code to identify the wire and its function. To identify which circuit code applies to a system, refer to the Circuit Identification Code Chart. This chart shows the main circuits only and does not show the secondary codes that may apply to some models.

CIRCUIT	FUNCTION
A	BATTERY FEED
B	BRAKE CONTROLS
C	CLIMATE CONTROLS
D	DIAGNOSTIC CIRCUITS
E	DIMMING ILLUMINATION CIRCUITS
F	FUSED CIRCUITS
G	MONITORING CIRCUITS (GAUGES)
H	OPEN
I	NOT USED
J	OPEN
K	POWERTRAIN CONTROL MODULE
L	EXTERIOR LIGHTING
M	INTERIOR LIGHTING
N	NOT USED
O	NOT USED
P	POWER OPTION (BATTERY FEED)
Q	POWER OPTIONS (IGNITION FEED)
R	PASSIVE RESTRAINT
S	SUSPENSION/STEERING
T	TRANSMISSION/TRANSAXLE/ TRANSFER CASE
U	OPEN
V	SPEED CONTROL, WIPER/WASHER
W	OPEN
X	AUDIO SYSTEMS
Y	OPEN
Z	GROUND

DESCRIPTION AND OPERATION (Continued)

SECTION IDENTIFICATION









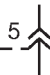














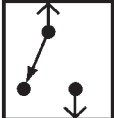
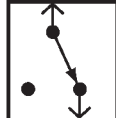




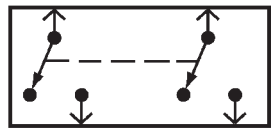
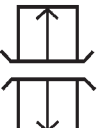
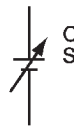


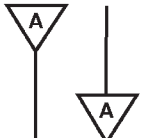





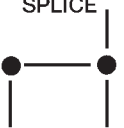
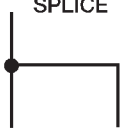










The wiring diagrams are grouped into individual sections. If a component is most likely found in a particular group, it will be shown complete (all wires, connectors, and pins) within that group. For example, the Auto Shutdown Relay is most likely to be found in Group 30, so it is shown there complete. It can, however, be shown partially in another group if it contains some associated wiring.

SYMBOLS

International symbols are used throughout the wiring diagrams. These symbols are consistent with those being used around the world.

GROUP	TOPIC
8W-01 thru 8W-09	General Information and Diagram Overview
8W-10 thru 8W-19	Main Sources of Power and Vehicle Grounding
8W-20 thru 8W-29	Starting and Charging
8W-30 thru 8W-39	Powertrain/Drivetrain Systems
8W-40 thru 8W-49	Body Electrical items and A/C
8W-50 thru 8W-59	Exterior Lighting, Wipers, and Trailer Tow
8W-60 thru 8W-69	Power Accessories
8W-70	Splice Information
8W-80	Connector Pin Outs
8W-90	Connector Locations (including grounds)
8W-95	Splice Locations

DESCRIPTION AND OPERATION (Continued)

 BATTERY  GENERATOR STATOR COILS	 2 C123 IN-LINE CONNECTORS  2 C123
 FUSIBLE LINK  FUSE  CIRCUIT BREAKER	MULTIPLE CONNECTOR  8  5  2 C123 MALE CONNECTOR  4 C1 FEMALE CONNECTOR  6 C3
 BATT A0 HOT BAR  CHOICE BRACKET (8W-30-10) PAGE REFERENCE	 SINGLE FILAMENT LAMP  DUAL FILAMENT LAMP  ANTENNA
 CLOCKSPRING  GROUND G101  SCREW TERMINAL	NPN TRANSISTOR  PNP TRANSISTOR  TONE GENERATOR 
 OPEN SWITCH  CLOSED SWITCH	 LED  PHOTODIODE  DIODE  ZENER DIODE
 GANGED SWITCH  SLIDING DOOR CONTACT	 OXYGEN SENSOR  GAUGE  PIEZOELECTRIC CELL
 WIRE ORIGIN & DESTINATION SHOWN WITHIN CELL  WIRE DESTINATION SHOWN IN ANOTHER CELL	 RESISTOR  POTENTIOMETER  VARIABLE RESISTOR  HEATER ELEMENT
EXTERNAL SPLICE  S350 INTERNAL SPLICE  INCOMPLETE SPLICE (INTERNAL) 	NON-POLARIZED CAPACITOR  POLARIZED CAPACITOR  VARIABLE CAPACITOR 
 ONE SPEED MOTOR  TWO SPEED MOTOR  REVERSIBLE MOTOR	 COIL  SOLENOID  SOLENOID VALVE

Wiring Diagram Symbols

DESCRIPTION AND OPERATION (Continued)

TERMINOLOGY

This a list of terms with there definitions used in the wiring diagrams.

- Built-Up-Export Vehicles Built For Sale In Markets Other Than North America
- Except-Built-Up-Export Vehicles Built For Sale In North America
- LHD Left Hand Drive Vehicles
- RHD Right Hand Drive Vehicles
- ATX Automatic Transmission-Front Wheel Drive
- MTX Manual Transmission-Front Wheel Drive
- AT Automatic Transmission-Rear Wheel Drive
- MT Manual Transmission-Rear Wheel Drive
- SOHC Single Over Head Cam Engine
- DOHC Dual Over Head Cam Engine

CONNECTOR INFORMATION

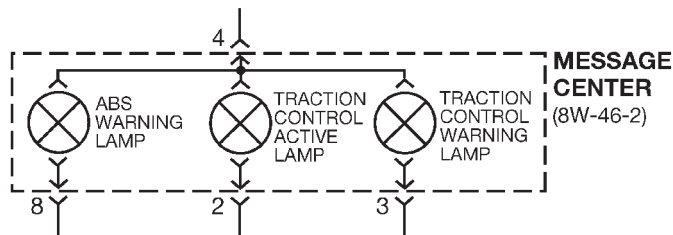
CAUTION: Not all connectors are serviced. Some connectors are serviced only with a harness. A typical example might be the Supplemental Restraint System connectors. Always check parts availability before attempting a repair.

IDENTIFICATION

In-line connectors are identified by a number, as follows:

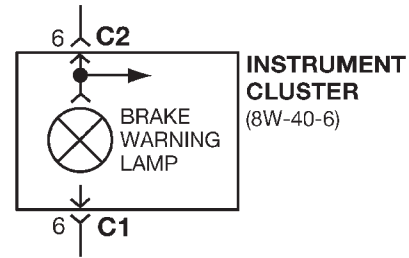
- In-line connectors located on the **engine compartment harness** are **C100** series numbers.
- Connectors located on the **instrument panel harness** are **C200** series numbers.
- Connectors located on the **body harness** are **C300** series numbers.
- **Jumper harness connectors** are **C400** series numbers.
- **Grounds and ground connectors** are identified with a "G" and follow the same series numbering as the in-line connector.

Component connectors are identified by the component name instead of a number (Fig. 2). Multiple connectors on a component use a C1, C2, etc. identifier (Fig. 3).



80aff5a3

Fig. 2 Component Identification



80aff5a4

Fig. 3 Connector Identification

LOCATIONS

Section 8W-90 contains connector/ground location illustrations. The illustrations contain the connector name (or number)/ground number and component identification. Connector/ground location charts in Section 8W-90 reference the illustration number for components and connectors.

Section 8W-80 shows each connector and the circuits involved with that connector. The connectors are identified using the name/number on the Diagram pages.

SPLICE LOCATIONS

Splice Location charts in Section 8W-70 show the entire splice, and provide references to other sections the splice serves.

Section 8W-95 contains illustrations that show the general location of the splices in each harness. The illustrations show the splice by number, and provide a written location.

NOTES, CAUTIONS, and WARNINGS

Throughout this group additional important information is presented in three ways; Notes, Cautions, and Warnings.

NOTES are used to help describe how switches or components operate to complete a particular circuit. They are also used to indicate different conditions that may appear on the vehicle. For example, an up-to and after condition.

CAUTIONS are used to indicate information that could prevent making an error that may damage the vehicle.

WARNINGS provide information to prevent personal injury and vehicle damage. Below is a list of general warnings that should be followed any time a vehicle is being serviced.

WARNING: ALWAYS WEAR SAFETY GLASSES FOR EYE PROTECTION.

WARNING: USE SAFETY STANDS ANYTIME A PROCEDURE REQUIRES BEING UNDER A VEHICLE.

DESCRIPTION AND OPERATION (Continued)

WARNING: BE SURE THAT THE IGNITION SWITCH ALWAYS IS IN THE OFF POSITION, UNLESS THE PROCEDURE REQUIRES IT TO BE ON.

WARNING: SET THE PARKING BRAKE WHEN WORKING ON ANY VEHICLE. AN AUTOMATIC TRANSMISSION SHOULD BE IN PARK. A MANUAL TRANSMISSION SHOULD BE IN NEUTRAL.

WARNING: OPERATE THE ENGINE ONLY IN A WELL-VENTILATED AREA.

WARNING: KEEP AWAY FROM MOVING PARTS WHEN THE ENGINE IS RUNNING, ESPECIALLY THE FAN AND BELTS.

WARNING: TO PREVENT SERIOUS BURNS, AVOID CONTACT WITH HOT PARTS SUCH AS THE RADIATOR, EXHAUST MANIFOLD(S), TAIL PIPE, CATALYTIC CONVERTER, AND MUFFLER.

WARNING: DO NOT ALLOW FLAME OR SPARKS NEAR THE BATTERY. GASES ARE ALWAYS PRESENT IN AND AROUND THE BATTERY.

WARNING: ALWAYS REMOVE RINGS, WATCHES, LOOSE HANGING JEWELRY, AND LOOSE CLOTHING.

TAKE OUTS

The abbreviation T/O is used in the component location section to indicate a point in which the wiring harness branches out to a component.

ELECTROSTATIC DISCHARGE (ESD) SENSITIVE DEVICES

All ESD sensitive components are solid state and a symbol (Fig. 4) is used to indicate this. When handling any component with this symbol comply with the following procedures to reduce the possibility of electrostatic charge build up on the body and inadvertent discharge into the component. If it is not known whether the part is ESD sensitive, assume that it is.

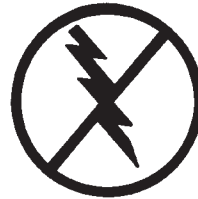
(1) Always touch a known good ground before handling the part. This should be repeated while handling the part and more frequently after sliding across a seat, sitting down from a standing position, or walking a distance.

(2) Avoid touching electrical terminals of the part, unless instructed to do so by a written procedure.

(3) When using a voltmeter, be sure to connect the ground lead first.

(4) Do not remove the part from its protective packing until it is time to install the part.

(5) Before removing the part from its package, ground the package to a known good ground on the vehicle.



948W-193

Fig. 4 Electrostatic Discharge Symbol

DIAGNOSIS AND TESTING

TROUBLESHOOTING TOOLS

When diagnosing a problem in an electrical circuit there are several common tools necessary. These tools are listed and explained below.

- Jumper Wire - This is a test wire used to connect two points of a circuit. It can be used to bypass an open in a circuit.

WARNING: NEVER USE A JUMPER WIRE ACROSS A LOAD, SUCH AS A MOTOR, CONNECTED BETWEEN A BATTERY FEED AND GROUND.

- Voltmeter - Used to check for voltage on a circuit. Always connect the black lead to a known good ground and the red lead to the positive side of the circuit.

CAUTION: Most of the electrical components used in today's vehicle are solid state. When checking voltages in these circuits use a meter with a 10-megohm or greater impedance rating.

- Ohmmeter - Used to check the resistance between two points of a circuit. Low or no resistance in a circuit means good continuity.

CAUTION: - Most of the electrical components used in today's vehicle are Solid State. When checking resistance in these circuits use a meter with a 10-megohm or greater impedance rating. In addition, make sure the power is disconnected from the circuit. Circuits that are powered up by the vehicle electrical system can cause damage to the equipment and provide false readings.

DIAGNOSIS AND TESTING (Continued)

• Probing Tools - These tools are used for probing terminals in connectors (Fig. 5). Select the proper size tool from Special Tool Package 6807, and insert it into the terminal being tested. Use the other end of the tool to insert the meter probe.

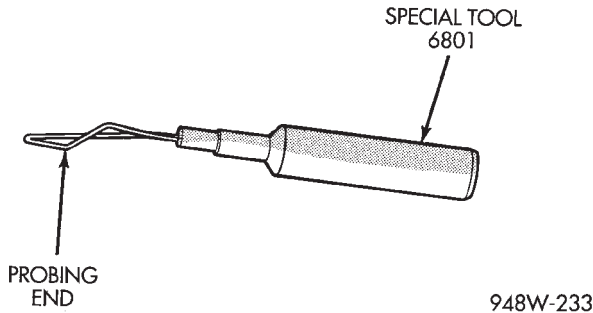


Fig. 5 Probing Tool

INTERMITTENT AND POOR CONNECTIONS

Most intermittent electrical problems are caused by faulty electrical connections or wiring. It is also possible for a sticking component or relay to cause a problem. Before condemning a component or wiring assembly check the following items.

- Connectors are fully seated
- Spread terminals, or terminal push out
- Terminals in the wiring assembly are fully seated into the connector/component and locked in position
- Dirt or corrosion on the terminals. Any amount of corrosion or dirt could cause an intermittent problem
- Damaged connector/component casing exposing the item to dirt and moisture
- Wire insulation that has rubbed through causing a short to ground
- Some or all of the wiring strands broken inside of the insulation covering.
- Wiring broken inside of the insulation

TROUBLESHOOTING TESTS

Before beginning any tests on a vehicles electrical system use the Wiring Diagrams and study the circuit. Also refer to the Troubleshooting Wiring Problems in this section.

TESTING FOR VOLTAGE POTENTIAL

- (1) Connect the ground lead of a voltmeter to a known good ground (Fig. 6).
- (2) Connect the other lead of the voltmeter to the selected test point. The vehicle ignition may need to be turned ON to check voltage. Refer to the appropriate test procedure.

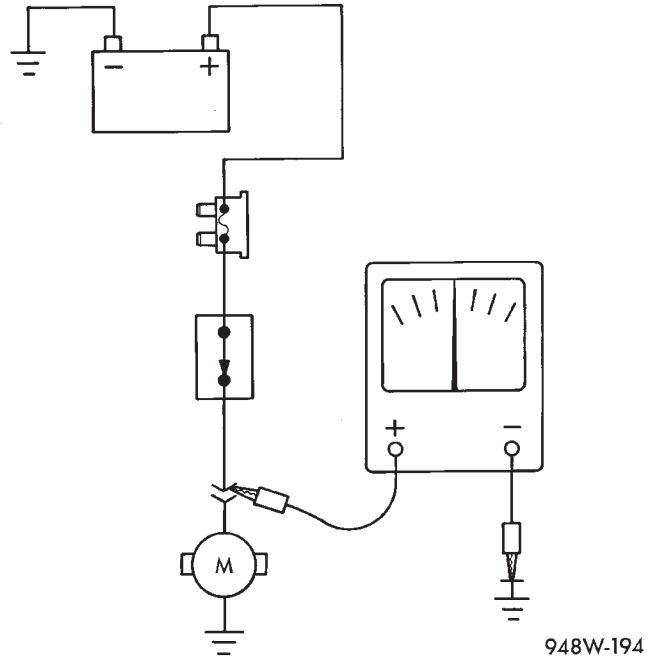


Fig. 6 Testing for Voltage Potential

TESTING FOR CONTINUITY

- (1) Remove the fuse for the circuit being checked or, disconnect the battery.
- (2) Connect one lead of the ohmmeter to one side of the circuit being tested (Fig. 7).
- (3) Connect the other lead to the other end of the circuit being tested. Low or no resistance means good continuity.

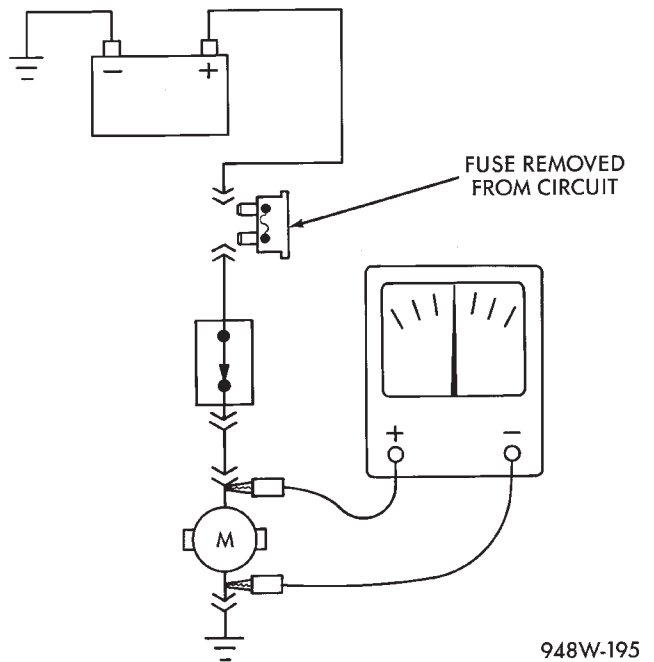


Fig. 7 Testing for Continuity

DIAGNOSIS AND TESTING (Continued)

TESTING FOR A SHORT TO GROUND

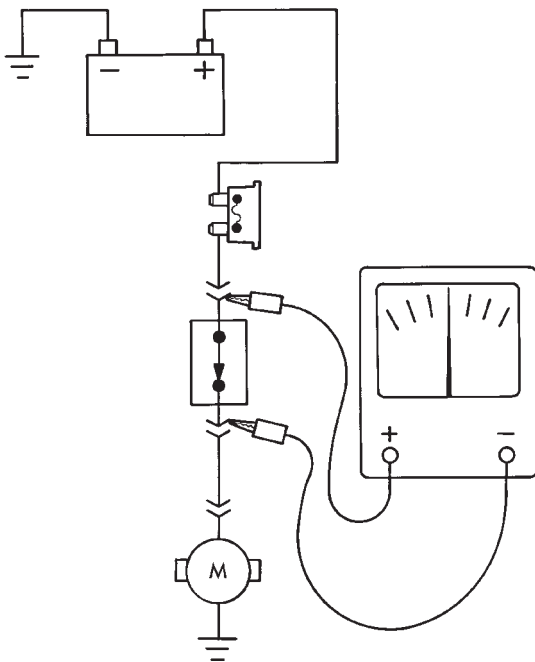
- (1) Remove the fuse and disconnect all items involved with the fuse.
- (2) Connect a test light or a voltmeter across the terminals of the fuse.
- (3) Starting at the fuse block, wiggle the wiring harness about six to eight inches apart and watch the voltmeter/test lamp.
- (4) If the voltmeter registers voltage or the test lamp glows, there is a short to ground in that general area of the wiring harness.

TESTING FOR A SHORT TO GROUND ON FUSES POWERING SEVERAL LOADS

- (1) Refer to the wiring diagrams and disconnect or isolate all items on the suspected fused circuits.
- (2) Replace the blown fuse.
- (3) Supply power to the fuse by turning ON the ignition switch or re-connecting the battery.
- (4) Start connecting the items in the fuse circuit one at a time. When the fuse blows the circuit with the short to ground has been isolated.

TESTING FOR A VOLTAGE DROP

- (1) Connect the positive lead of the voltmeter to the side of the circuit closest to the battery (Fig. 8).
- (2) Connect the other lead of the voltmeter to the other side of the switch or component.
- (3) Operate the item.
- (4) The voltmeter will show the difference in voltage between the two points.



948W-196

Fig. 8 Testing for Voltage Drop**TROUBLESHOOTING WIRING PROBLEMS**

When troubleshooting wiring problems there are six steps which can aid in the procedure. The steps are listed and explained below. Always check for non-factory items added to the vehicle before doing any diagnosis. If the vehicle is equipped with these items, disconnect them to verify these add-on items are not the cause of the problem.

- (1) Verify the problem.
- (2) Verify any related symptoms. Do this by performing operational checks on components that are in the same circuit. Refer to the wiring diagrams.
- (3) Analyze the symptoms. Use the wiring diagrams to determine what the circuit is doing, where the problem most likely is occurring and where the diagnosis will continue.
- (4) Isolate the problem area.
- (5) Repair the problem.
- (6) Verify proper operation. For this step check for proper operation of all items on the repaired circuit. Refer to the wiring diagrams.

SERVICE PROCEDURES**WIRING REPAIR**

When replacing or repairing a wire, it is important that the correct gage be used as shown in the wiring diagrams. The wires must also be held securely in place to prevent damage to the insulation.

- (1) Disconnect battery negative cable
- (2) Remove 1 inch of insulation from each end of the wire.
- (3) Place a piece of heat shrink tubing over one side of the wire. Make sure the tubing will be long enough to cover and seal the entire repair area.
- (4) Spread the strands of the wire apart on each part of the exposed wire (example 1). (Fig. 9)
- (5) Push the two ends of wire together until the strands of wire are close to the insulation (example 2) (Fig. 9)
- (6) Twist the wires together (example 3) (Fig. 9)
- (7) Solder the connection together using rosin core type solder only. **Do not use acid core solder.**
- (8) Center the heat shrink tubing over the joint, and heat using a heat gun. Heat the joint until the tubing is tightly sealed and sealant comes out of both ends of the tubing.
- (9) Secure the wire to the existing ones to prevent chafing or damage to the insulation
- (10) Connect battery and test all affected systems.

SERVICE PROCEDURES (Continued)

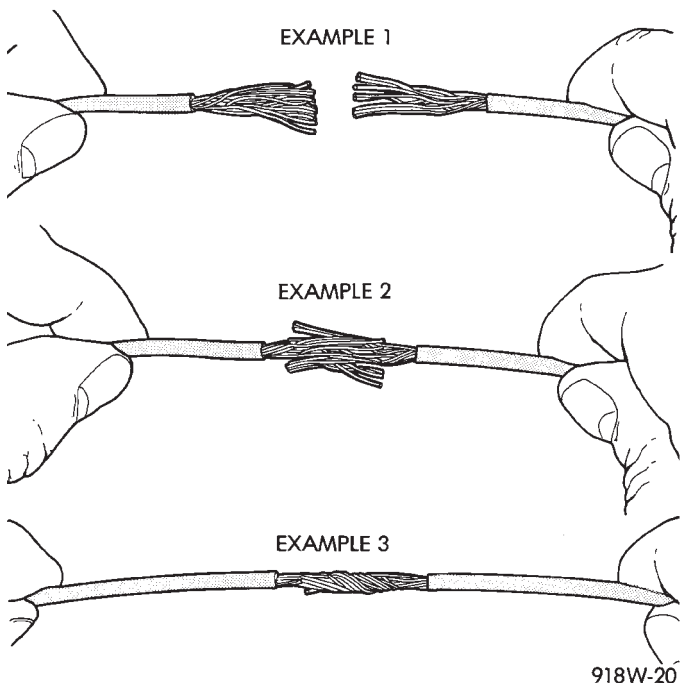


Fig. 9 Wire Repair

TERMINAL/CONNECTOR REPAIR-MOLEX CONNECTORS

- (1) Disconnect battery.
- (2) Disconnect the connector from its mating half/component.
- (3) Insert the terminal releasing special tool 6742 into the terminal end of the connector (Fig. 10).

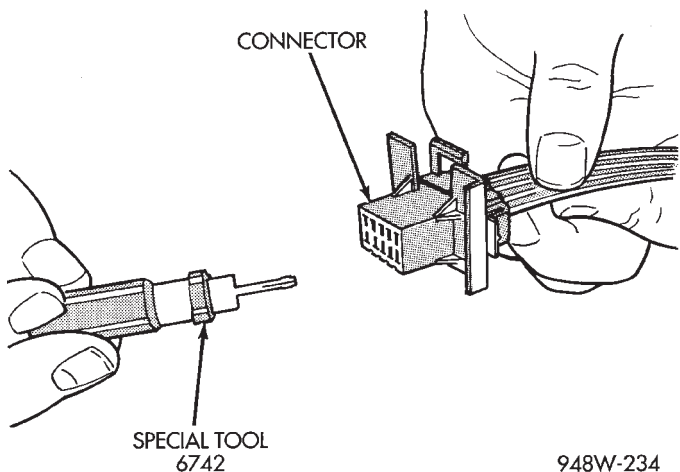


Fig. 10 Molex Connector Repair

- (4) Using special tool 6742 release the locking fingers on the terminal (Fig. 11).
- (5) Pull on the wire to remove it from the connector.
- (6) Repair or replace the connector or terminal, as necessary.

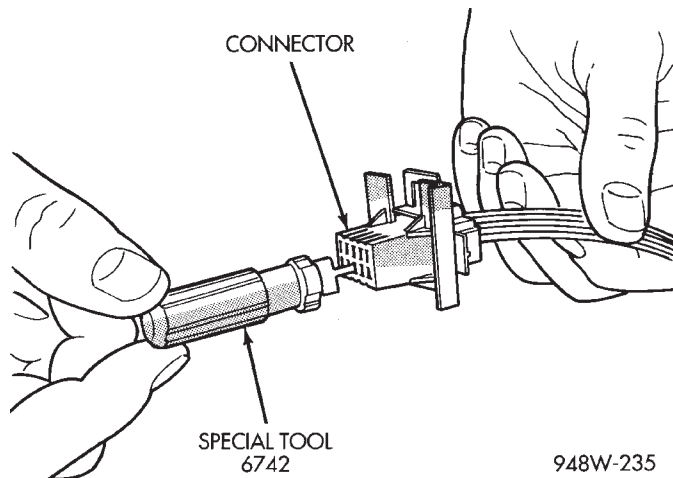


Fig. 11 Using Special Tool 6742

TERMINAL/CONNECTOR REPAIR—THOMAS AND BETTS CONNECTORS

- (1) Disconnect battery.
- (2) Disconnect the connector from its mating half/component.
- (3) Push in the two lock tabs on the side of the connector (Fig. 12).

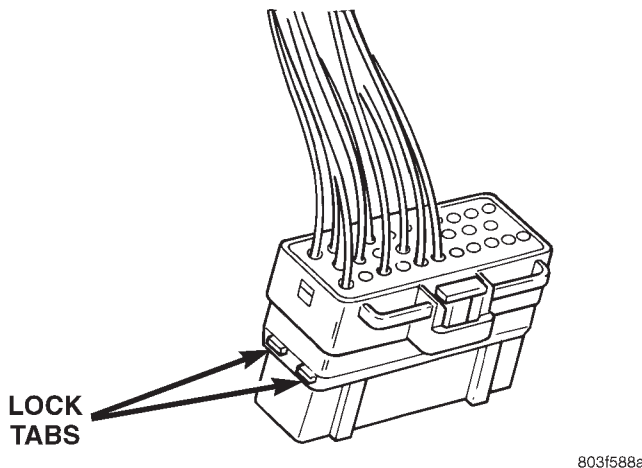


Fig. 12 Thomas and Betts Connector Lock Release Tabs

- (4) Insert the probe end of special tool 6934 into the back of the connector cavity (Fig. 13).
- (5) Grasp the wire and tool 6934 and slowly remove the wire and terminal from the connector.
- (6) Repair or replace the terminal.
- (7) Install the wire and terminal in the connector. Fully seat the terminal in the connector.
- (8) Push in the single lock tab on the side of the connector (Fig. 14).

CONNECTOR REPLACEMENT

- (1) Disconnect battery.

SERVICE PROCEDURES (Continued)

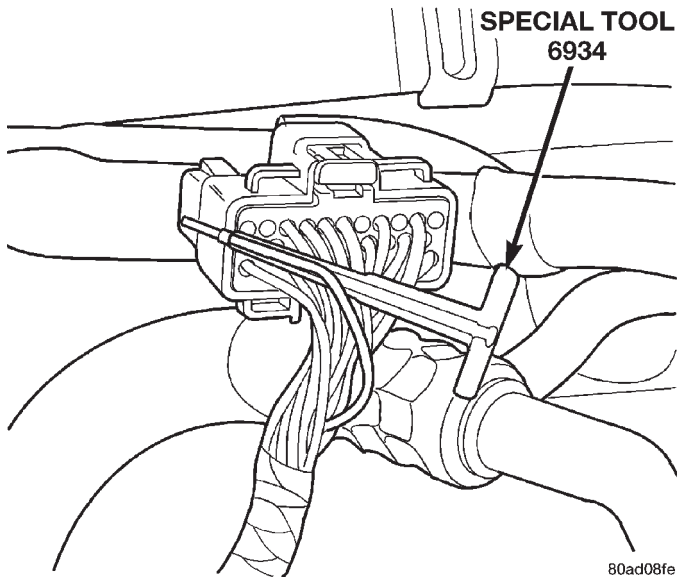


Fig. 13 Removing Wire Terminal

80ad08fe

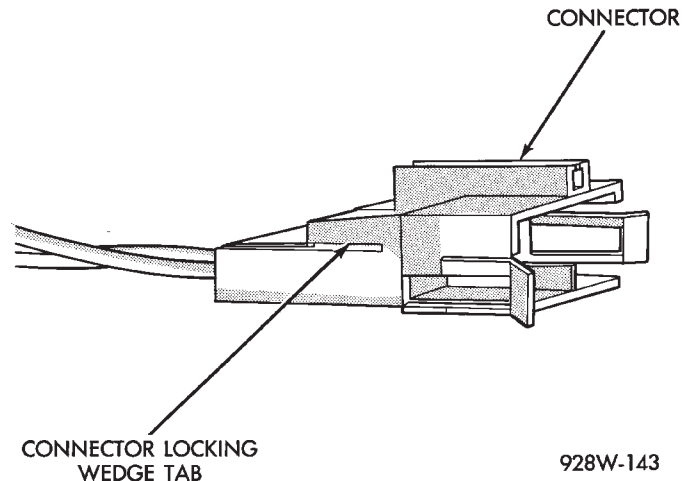


Fig. 15 Connector Locking Wedge

(10) Connect battery and test all affected systems.

928W-143

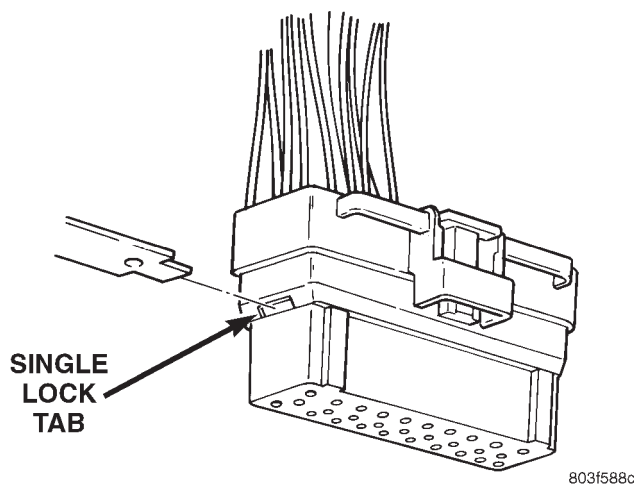


Fig. 14 Single Lock Tab

803f588c

(2) Disconnect the connector that is to be repaired from its mating half/component.

(3) Remove the connector locking wedge, if required (Fig. 15).

(4) Position the connector locking finger away from the terminal using the proper pick from special tool kit 6680. Pull on the wire to remove the terminal from the connector (Fig. 16) (Fig. 17).

(5) Reset the terminal locking tang, if it has one.

(6) Insert the removed wire in the same cavity on the repair connector.

(7) Repeat steps four through six for each wire in the connector, being sure that all wires are inserted into the proper cavities. For additional connector pin-out identification, refer to the wiring diagrams.

(8) Insert the connector locking wedge into the repaired connector, if required.

(9) Connect connector to its mating half/component.

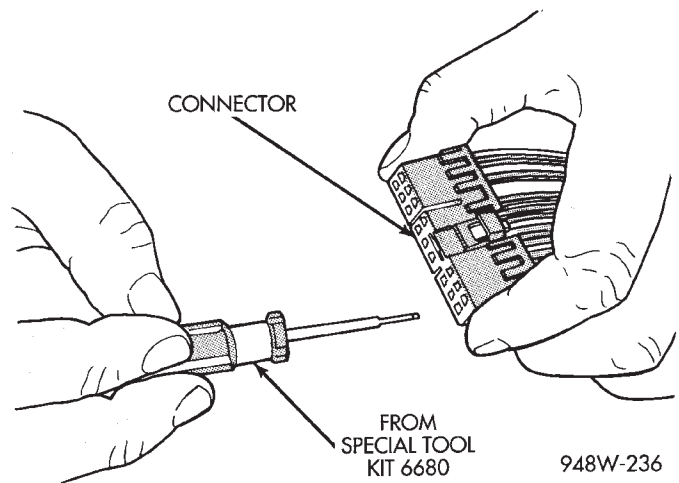


Fig. 16 Terminal Removal

948W-236

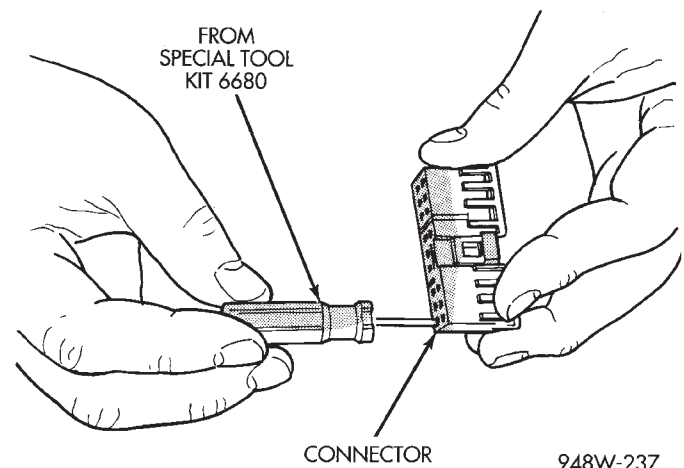


Fig. 17 Terminal Removal Using Special Tool

948W-237

SERVICE PROCEDURES (Continued)

CONNECTOR AND TERMINAL REPLACEMENT

- (1) Disconnect battery.
- (2) Disconnect the connector (that is to be repaired) from its mating half/component.
- (3) Cut off the existing wire connector directly behind the insulator. Remove six inches of tape from the harness.
- (4) Stagger cut all wires on the harness side at 1/2 inch intervals (Fig. 18).
- (5) Remove 1 inch of insulation from each wire on the harness side.
- (6) Stagger cut the matching wires on the repair connector assembly in the opposite order as was done on the harness side of the repair. Allow extra length for soldered connections. Check that the overall length is the same as the original (Fig. 18).

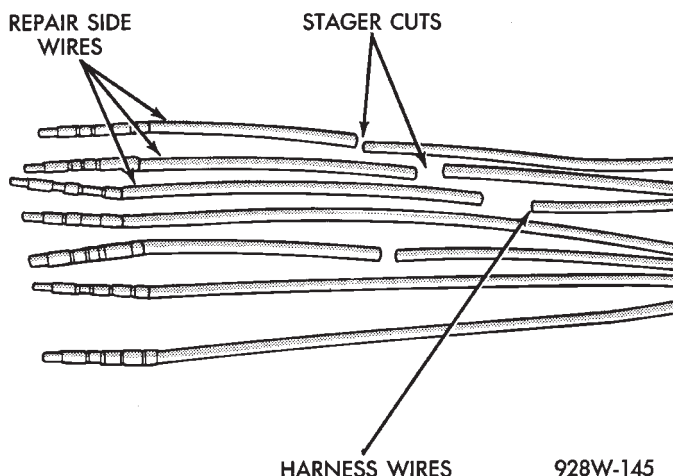


Fig. 18 Stagger Cutting Wires

- (7) Remove 1 inch of insulation from each wire.
- (8) Place a piece of heat shrink tubing over one side of the wire. Be sure the tubing will be long enough to cover and seal the entire repair area.
- (9) Spread the strands of the wire apart on each part of the exposed wires.
- (10) Push the two ends of wire together until the strands of wire are close to the insulation.
- (11) Twist the wires together.
- (12) Solder the connection together using rosin core type solder only. **Do not use acid core solder.**
- (13) Center the heat shrink tubing over the joint and heat using a heat gun. Heat the joint until the tubing is tightly sealed and sealant comes out of both ends of the tubing
- (14) Repeat steps 8 through 13 for each wire.
- (15) Re-tape the wire harness starting 1-1/2 inches behind the connector and 2 inches past the repair.
- (16) Re-connect the repaired connector.
- (17) Connect the battery, and test all affected systems.

TERMINAL REPLACEMENT

- (1) Disconnect battery.
- (2) Disconnect the connector being repaired from its mating half. Remove connector locking wedge, if required (Fig. 19).
- (3) Remove connector locking wedge, if required (Fig. 19).

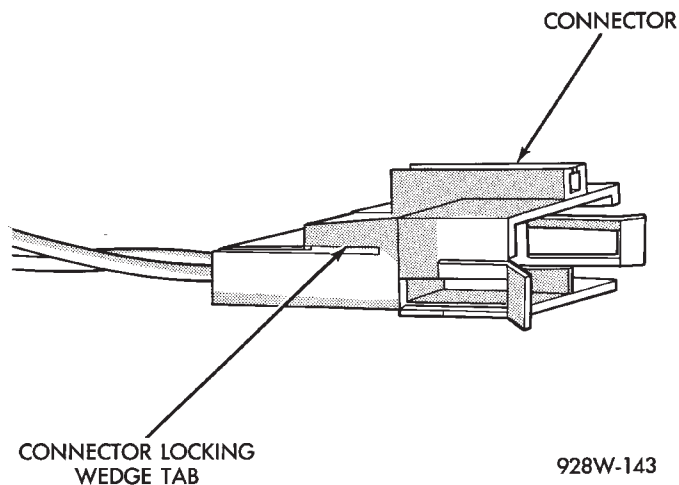


Fig. 19 Connector Locking Wedge Tab (Typical)

- (4) Position the connector locking finger away from the terminal using the proper pick from special tool kit 6680. Pull on the wire to remove the terminal from the connector (Fig. 20) (Fig. 21).

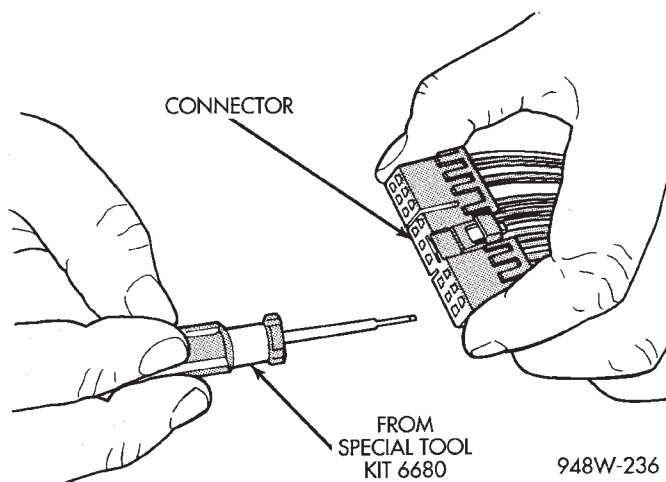


Fig. 20 Terminal Removal

- (5) Cut the wire 6 inches from the back of the connector.
- (6) Remove 1 inch of insulation from the wire on the harness side.
- (7) Select a wire from the terminal repair assembly that best matches the color wire being repaired.
- (8) Cut the repair wire to the proper length and remove 1 inch of insulation.

SERVICE PROCEDURES (Continued)

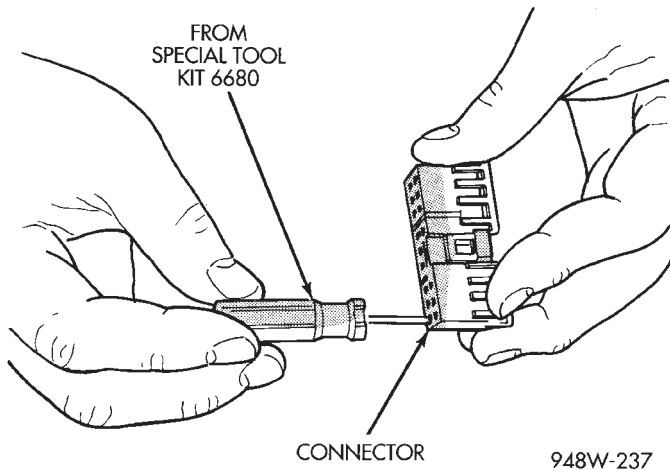


Fig. 21 Terminal Removal Using Special Tool

(9) Place a piece of heat shrink tubing over one side of the wire. Make sure the tubing will be long enough to cover and seal the entire repair area.

(10) Spread the strands of the wire apart on each part of the exposed wires.

(11) Push the two ends of wire together until the strands of wire are close to the insulation.

(12) Twist the wires together.

(13) Solder the connection together using rosin core type solder only. **Do not use acid core solder.**

(14) Center the heat shrink tubing over the joint and heat using a heat gun. Heat the joint until the tubing is tightly sealed and sealant comes out of both ends of the tubing.

(15) Insert the repaired wire into the connector.

(16) Install the connector locking wedge, if required, and reconnect the connector to its mating half/component.

(17) Re-tape the wire harness starting 1-1/2 inches behind the connector and 2 inches past the repair.

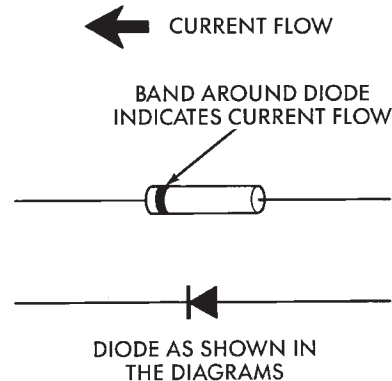
(18) Connect battery, and test all affected systems.

DIODE REPLACEMENT

(1) Disconnect the battery.

(2) Locate the diode in the harness, and remove the protective covering.

(3) Remove the diode from the harness, pay attention to the current flow direction (Fig. 22).



948W-197

Fig. 22 Diode Identification

(4) Remove the insulation from the wires in the harness. Only remove enough insulation to solder in the new diode.

(5) Install the new diode in the harness, making sure current flow is correct. If necessary refer to the appropriate wiring diagram for current flow.

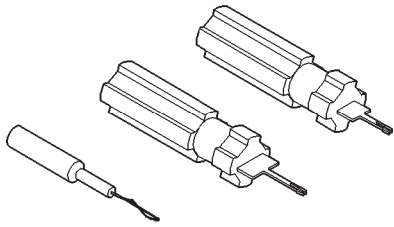
(6) Solder the connection together using rosin core type solder only. **Do not use acid core solder.**

(7) Tape the diode to the harness using electrical tape making, sure the diode is completely sealed from the elements.

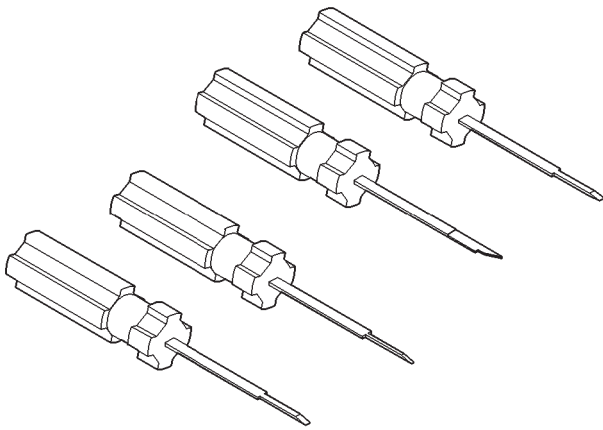
(8) Re-connect the battery, and test affected systems.

SPECIAL TOOLS

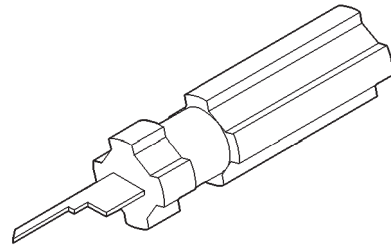
WIRING/TERMINAL



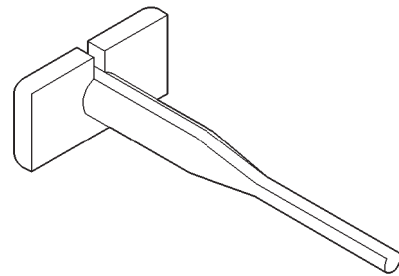
Probing Tool Package 6807



Terminal Pick 6680



Terminal Removing Tool 6932



Terminal Removing Tool 6934

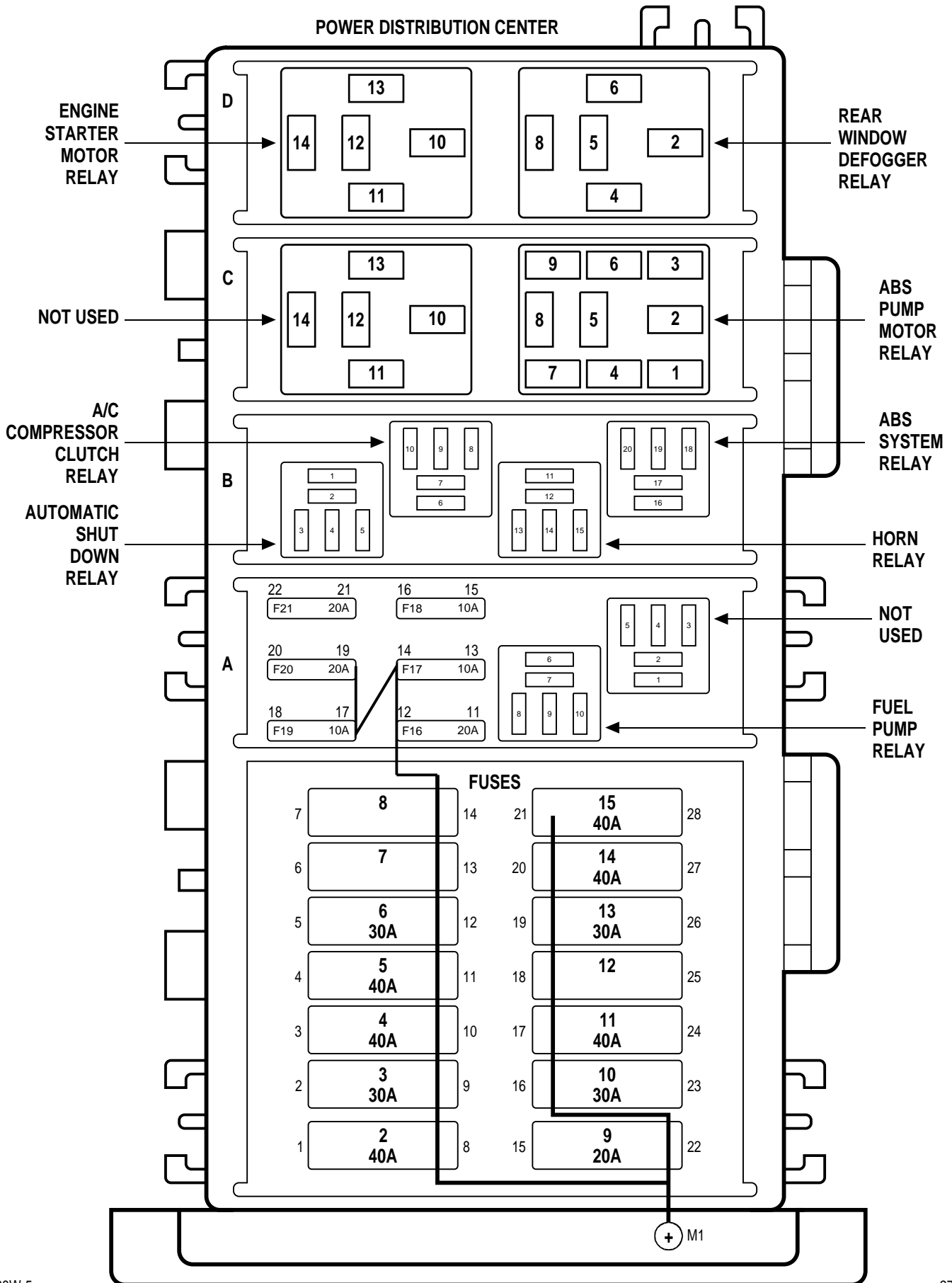
8W-02 COMPONENT INDEX

Component	Page	Component	Page
A/C Compressor Clutch8W-42	Fusible Link A118W-10
A/C Compressor Clutch Relay8W-42	G-Switch.8W-35
A/C Heater Control8W-42	Gauges8W-40
A/C Pressure Switches8W-30, 42	Generator.8W-20
ABS Diode8W-10, 35	Grounds8W-15
ABS Pump Motor8W-10, 35	Headlamp Dimmer Switch8W-50
ABS Pump Motor Relay8W-35	Headlamp Leveling Motors8W-50
ABS System Relay8W-35	Headlamp Leveling Switch.8W-50
Airbag Control Module8W-43	Headlamp Switch.8W-50
Automatic Shut Down Relay.8W-20, 30	Headlamps8W-50
Back-Up Lamp8W-51	Horn Relay.8W-41
Back-Up Lamp Switch8W-51	Horn Switch8W-30, 41
Battery8W-20	Horns8W-41
Battery Temperature Sensor8W-30	Hydraulic Control Unit.8W-10, 35
Blower Motor Relay8W-42	Idle Air Control Motor8W-30
Blower Motor/Resistor Block8W-42	Ignition Coil8W-30
Brake Shift Interlock Solenoid8W-31	Ignition Switch.8W-10
Brake Warning Switch8W-40	Immobilizer8W-30
Camshaft Position Sensor8W-30	Indicator Lamps8W-40
Center High Mounted Stop Lamp8W-51	Injectors8W-30
Cigar Lighter/Accessory Relay8W-41	Instrument Cluster8W-40
Cigar Lighter/Power Outlet8W-41	Intake Air Temperature Sensor8W-30
Circuit Breaker.8W-50, 51	Internal Delay Relay8W-53
City Lamps.8W-50	Key-In Switch.8W-40, 44
Clockspring8W-30	Lamp Assemblies8W-51
Cluster Illumination Lamps8W-40	License Lamps8W-51
Clutch Pedal Position Switch8W-21	Manifold Absolute Pressure Sensor8W-30
Clutch Pedal Position Switch Connector8W-21	Manual Transmission Jumper8W-21, 30
Combination Flasher8W-52	Mercury Switch8W-44
Controller Anti-Lock Brake.8W-10, 35	Oxygen Sensors8W-30
Courtesy Lamps8W-44	Park Brake Switch.8W-40
Crankshaft Position Sensor8W-30	Park/Neutral Position Switch.8W-51
Data Link Connector8W-30	Park/Turn Lamps8W-50, 52
Daytime Running Lamp Module8W-50	Passenger Airbag8W-43
Dome Lamp8W-44	Passenger Door Ajar Switch.8W-44
Driver Airbag Squib8W-43	Power Distribution Center8W-10
Driver Door Ajar Switch.8W-44	Power Steering Pressure Switch.8W-30
Duty Cycle Evap/Purge Solenoid8W-30	Powertrain Control Module8W-30, 51
Engine Coolant Temperature Sensor8W-30	PRNDL Lamp.8W-44
Engine Oil Pressure Sensor8W-30	Radio8W-47
Engine Starter Motor8W-21	Radio Antenna8W-47
Engine Starter Motor Relay8W-21	Rear Fog Lamp8W-51, 51-8
Evap Leak Detection Pump8W-30	Rear Fog Lamp Relay.8W-51
Fog Lamp Relays8W-50	Rear Fog Lamp Switch.8W-51
Fog Lamps8W-50	Rear Washer Pump Motor8W-53
Front Fog Lamp Switch8W-50	Rear Window Defogger.8W-48
Fuel Pump Module.8W-30	Rear Window Defogger Relay.8W-48
Fuel Pump Relay8W-30	Rear Window Defogger Switch.8W-48
Fuse Block8W-11	Rear Wiper Motor.8W-53
Fuses (FB)8W-11	Rear Wiper/Washer Switch.8W-53
Fuses (PDC)8W-10	Repeaters8W-52
Fusible Link8W-20	Seat Belt Switch.8W-40

Component	Page	Component	Page
Side Marker8W-50, 52	Torque Converter Clutch Solenoid8W-30, 31
Sound Bar Dome Lamp8W-44	Transfer Case Switch8W-31, 40
Speakers.8W-47	Trip Odometer Reset Switch.8W-40
Speed Control Switch Pods.8W-30	Turn Lamps8W-52
Speedometer.8W-40	Turn Signal/Hazard Switch8W-51, 52
Splice Information8W-70	Underhood Lamp8W-44
Stop Lamp8W-51	Vehicle Speed Control Servo.8W-30, 51
Stop Lamp Switch8W-51	Vehicle Speed Sensor8W-30
Tachometer.8W-40	Wheel Speed Sensors8W-35
Tail/Stop/Turn Signal Lamp8W-51, 52	Windshield Washer Pump Motor8W-53
Tail/Turn Signal Lamp8W-51	Windshield Wiper Motor.8W-53
Throttle Position Sensor.8W-30	Windshield Wiper Switch8W-53

8W-10 POWER DISTRIBUTION

Component	Page	Component	Page
A/C Compressor Clutch	8W-10-19	Fuse 15 (PDC)	8W-10-8, 17
A/C Compressor Clutch Relay	8W-10-8, 19	Fuse 16 (PDC)	8W-10-8, 17
ABS Diode	8W-10-20	Fuse 17 (FB)	8W-10-17
ABS Pump Motor	8W-10-20	Fuse 17 (PDC)	8W-10-8, 18
ABS Pump Motor Relay	8W-10-8, 20	Fuse 18 (FB)	8W-10-11
ABS System Relay	8W-10-7, 20	Fuse 18 (PDC)	8W-10-8, 20
Automatic Shut Down Relay	8W-10-12, 13	Fuse 19 (FB)	8W-10-11
Battery	8W-10-7	Fuse 19 (PDC)	8W-10-8, 19
Blower Motor Relay	8W-10-16	Fuse 20 (FB)	8W-10-9
Blower Motor/Resistor Block	8W-10-16	Fuse 20 (PDC)	8W-10-8, 19
Brake Warning Switch	8W-10-10	Fuse 21 (PDC)	8W-10-8, 12, 13
Cigar Lighter/Accessory Relay	8W-10-10, 11	Fuse Block	8W-10-9, 10, 11, 17
Clutch Pedal Position Switch	8W-10-9	Fusible Link A11	8W-10-7
Controller Anti-Lock Brake	8W-10-20	G300	8W-10-10
Data Link Connector	8W-10-18	Generator	8W-10-7
Dome Lamp	8W-10-18	Headlamp Switch	8W-10-16
Downstream Heated Oxygen Sensor	8W-10-12, 15	High Note Horn	8W-10-19
Engine Starter Motor	8W-10-7, 9	Horn Relay	8W-10-8, 19
Engine Starter Motor Relay	8W-10-7, 9	Hydraulic Control Unit	8W-10-20
Fuel Pump Module	8W-10-17	Ignition Coil	8W-10-12, 13, 14, 15
Fuel Pump Relay	8W-10-8, 17	Ignition Switch	8W-10-9, 10
Fuse 1 (FB)	8W-10-11	Injector No. 1	8W-10-13, 14
Fuse 2 (FB)	8W-10-11	Injector No. 2	8W-10-13, 14
Fuse 2 (PDC)	8W-10-7, 9	Injector No. 3	8W-10-12, 15
Fuse 3 (FB)	8W-10-11	Injector No. 4	8W-10-12, 15
Fuse 3 (PDC)	8W-10-7, 10	Injector No. 5	8W-10-12, 15
Fuse 4 (PDC)	8W-10-7, 11	Injector No. 6	8W-10-12, 15
Fuse 5 (FB)	8W-10-9	Instrument Cluster	8W-10-18
Fuse 5 (PDC)	8W-10-7, 11	Left Courtesy Lamp	8W-10-18
Fuse 6 (FB)	8W-10-9	Low Note Horn	8W-10-19
Fuse 6 (PDC)	8W-10-7, 12, 13	Park Brake Switch	8W-10-10
Fuse 7 (FB)	8W-10-9	Power Distribution	
Fuse 8 (FB)	8W-10-9	Center	8W-10-7, 8, 9, 10, 11, 12, 13, 16, 17, 18, 19, 20
Fuse 9 (FB)	8W-10-10	Powertrain Control Module	8W-10-12, 13
Fuse 9 (PDC)	8W-10-7, 16	Radio	8W-10-18
Fuse 10 (FB)	8W-10-10	Rear Window Defogger	8W-10-17
Fuse 10 (PDC)	8W-10-7, 16	Rear Window Defogger Relay	8W-10-8, 17
Fuse 11 (FB)	8W-10-10	Right Courtesy Lamp	8W-10-18
Fuse 11 (PDC)	8W-10-8, 16	Sound Bar Dome Lamp	8W-10-18
Fuse 13 (FB)	8W-10-10	Turn Signal/Hazard Switch	8W-10-16
Fuse 13 (PDC)	8W-10-7, 20	Underhood Lamp	8W-10-18
Fuse 14 (FB)	8W-10-10	Upstream Heated Oxygen Sensor	8W-10-13, 14
Fuse 14 (PDC)	8W-10-8, 20		
Fuse 15 (FB)	8W-10-10		



FUSES

FUSE NO.	AMPS	FUSED CIRCUIT	FEED CIRCUIT
2	40A	A2 12PK/BK	A0 6RD
		A2 12PK/BK	A0 6RD
3	30A	A1 14RD	A0 6RD
4	40A	A6 12RD/BK	A0 6RD
5	40A	F30 12RD/PK	A0 6RD
6	30A	A14 14RD/WT	A0 6RD
		A14 14RD/WT	
7	-	-	A0 6RD
8	-	-	A0 6RD
9	20A	L9 16BK/WT	A0 6RD
10	30A	A3 14RD/WT	A0 6RD
11	40A	A111 12RD/LB	A0 6RD
12	-	-	A0 6RD
13	30A	A20 14RD/DB	A0 6RD
14	40A	A10 12RD/DG	A0 6RD
15	40A	A4 12BK/PK	A0 6RD
16	20A	A61 18DG/BK	A0 6RD
17	10A	M1 20PK/WT	A0 6RD
18	10A	B47 14RD/LB	B48 20RD/YL
19	10A	A17 20RD/GY	A0 6RD
20	20A	F31 18VT	A0 6RD
		F31 18VT	A0 6RD
21	20A	F142 18OR/DG	A142 14DG/PK

ABS PUMP MOTOR RELAY

CAVITY	CIRCUIT	FUNCTION
C1	-	-
C2	A10 12RD/DG	FUSED B (+)
C3	Z1 14BK	GROUND
C4	B47 14RD/LB	ABS SYSTEM RELAY OUTOUT
	B47 14RD/LB	
C5	-	-
C6	B116 20GY	ABS PUMP MOTOR RELAY CONTROL
C7	-	-
C8	B120 12BR/WT	ABS PUMP MOTOR RELAY OUTPUT
C9	-	-

ABS SYSTEM RELAY

CAVITY	CIRCUIT	FUNCTION
B16	B47 14RD/LB	ABS MAIN RELAY OUTPUT
B17	A20 14RD/DB	FUSED B(+)
B18	B58 20GY/LB	ABS MAIN RELAY CONTROL
B19	Z1 14BK	GROUND
B20	F20 20VT/WT	FUSED IGNITION (RUN)

A/C COMPRESSOR CLUTCH RELAY

CAVITY	CIRCUIT	FUNCTION
B6	A17 20RD/GY	FUSED B (+)
B7	C3 20DB/BK	A/C COMPRESSOR CLUTCH RELAY OUTPUT
B8	F12 20RD/LG	FUSED IGNITION (ST-RUN)
B9	-	-
B10	C13 18DB/OR	A/C COMPRESSOR CLUTCH RELAY CONTROL

AUTOMATIC SHUT DOWN RELAY

CAVITY	CIRCUIT	FUNCTION
B1	A14 14RD/WT	FUSED B (+)
B2	A142 14DG/PK	AUTOMATIC SHUT DOWN RELAY OUTPUT
B3	F12 20RD/LG	FUSED IGNITION (ST-RUN)
B4	-	-
B5	K51 18DB/YL	AUTOMATIC SHUT DOWN RELAY CONTROL

ENGINE STARTER MOTOR RELAY

CAVITY	CIRCUIT	FUNCTION
D10	A2 12PK/BK	FUSED B (+)
D11	T141 14YL/RD	FUSED IGNITION (ST)
D12	-	-
D13	T41 20BR/LB	PARK/NEUTRAL POSITION SWITCH SENSE
D14	T40 12BR	ENGINE STARTER MOTOR RELAY OUTPUT

FUEL PUMP RELAY

CAVITY	CIRCUIT	FUNCTION
A6	A61 18DG/BK	FUSED B (+)
A7	A141 18DG/WT	FUEL PUMP RELAY OUTPUT
A8	K31 18BR	FUEL PUMP RELAY CONTROL
A9	-	-
A10	F12 20RD/LG	FUSED IGNITION (ST-RUN)

HORN RELAY

CAVITY	CIRCUIT	FUNCTION
B11	F31 18VT	FUSED B (+)
B12	X2 18WT/RD	HORN RELAY OUTPUT
B13	F31 18VT	FUSED B (+)
B14	-	-
B15	X3 20RD/YL	HORN RELAY CONTROL

NOT USED

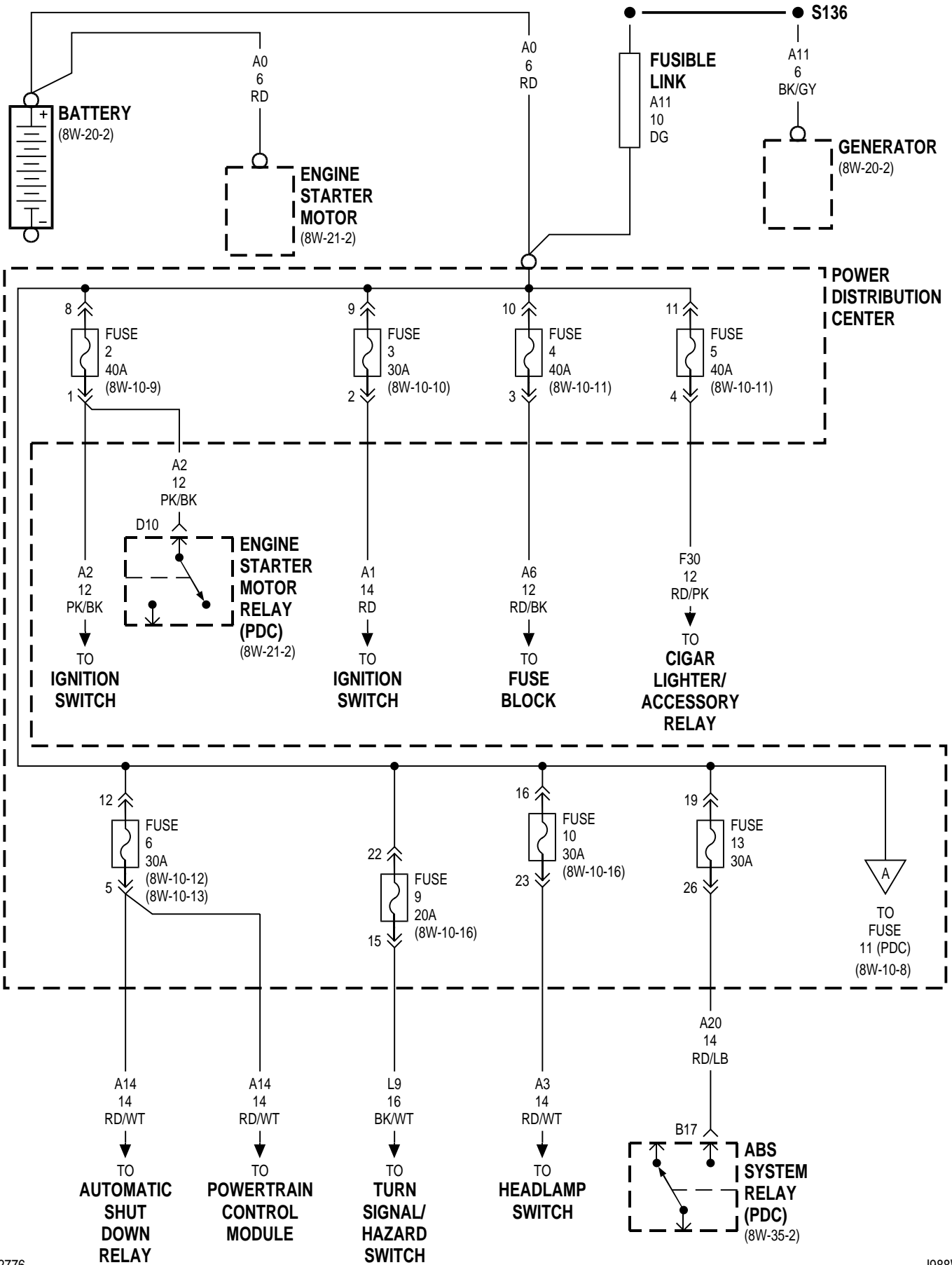
CAVITY	CIRCUIT	FUNCTION
A1	-	-
A2	-	-
A3	-	-
A4	-	-
A5	-	-

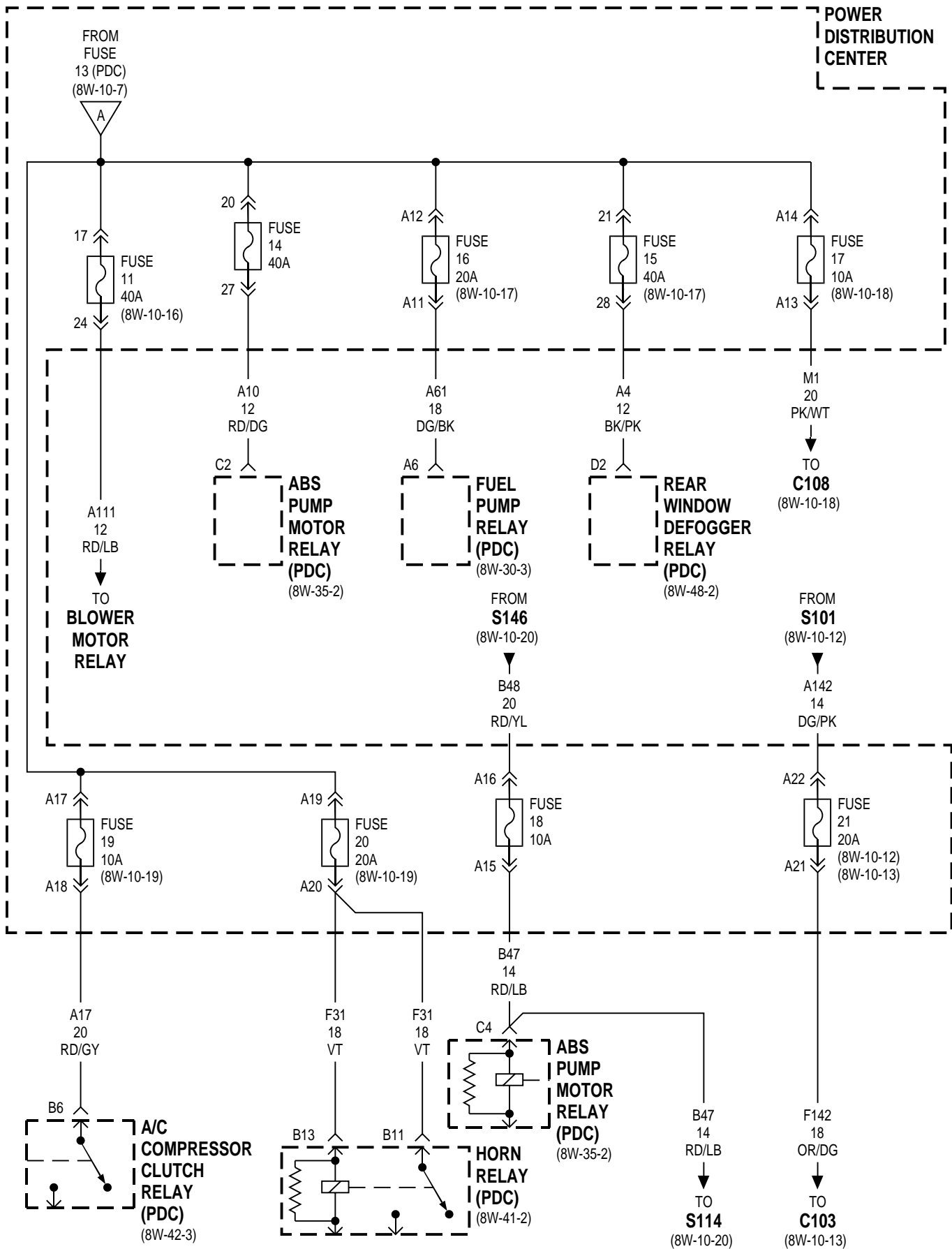
NOT USED

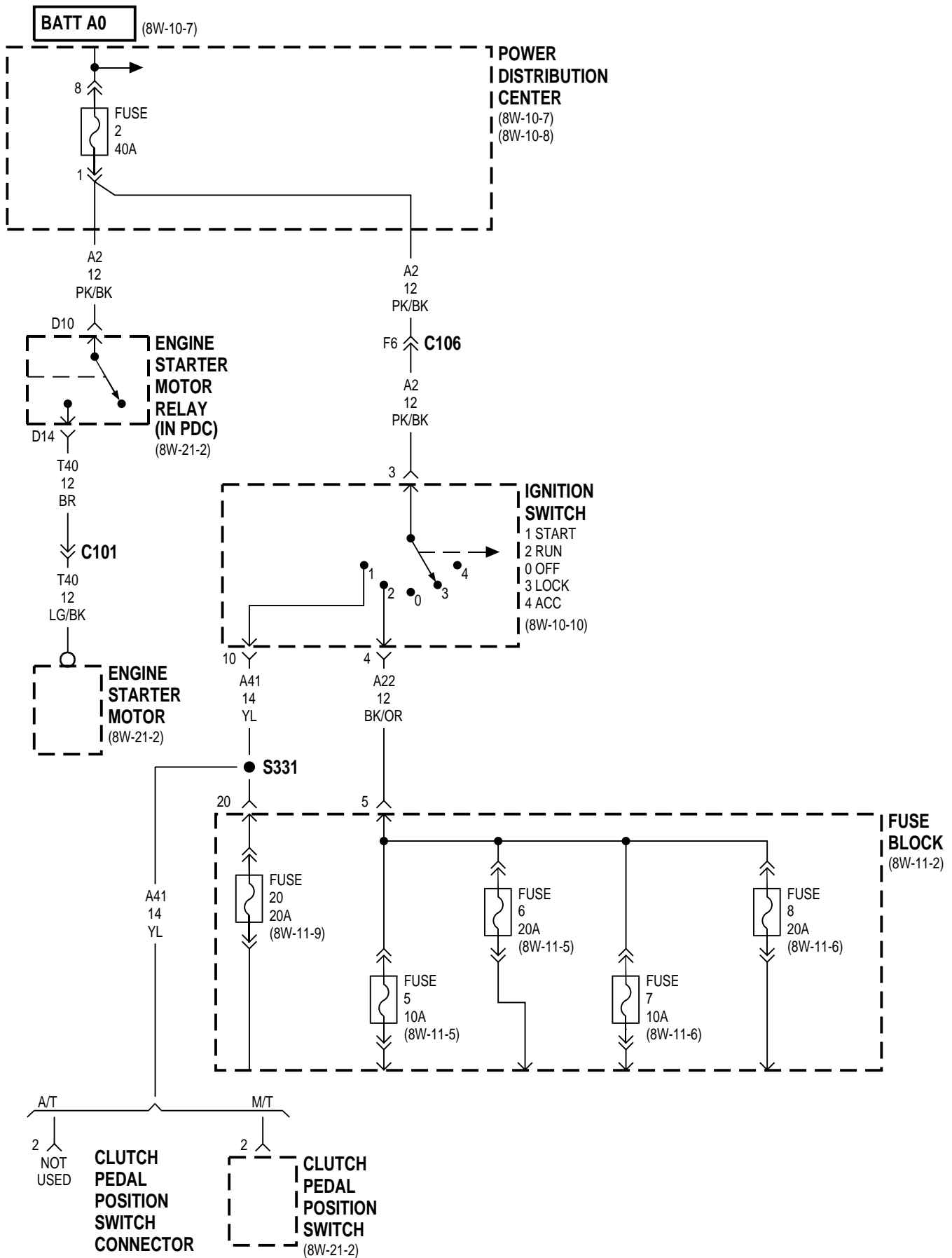
CAVITY	CIRCUIT	FUNCTION
C10	-	-
C11	-	-
C12	-	-
C13	-	-
C14	-	-

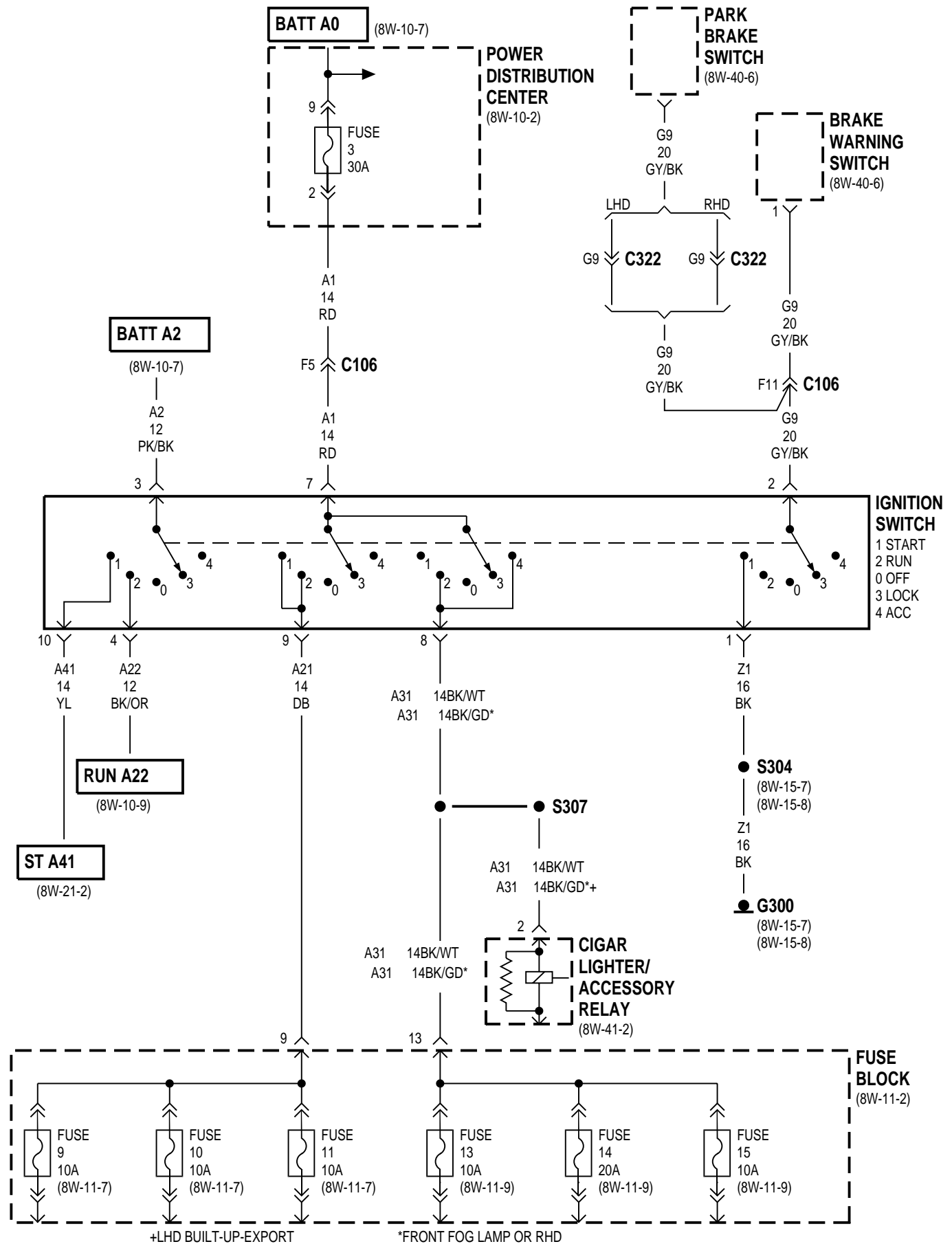
REAR WINDOW DEFOGGER RELAY

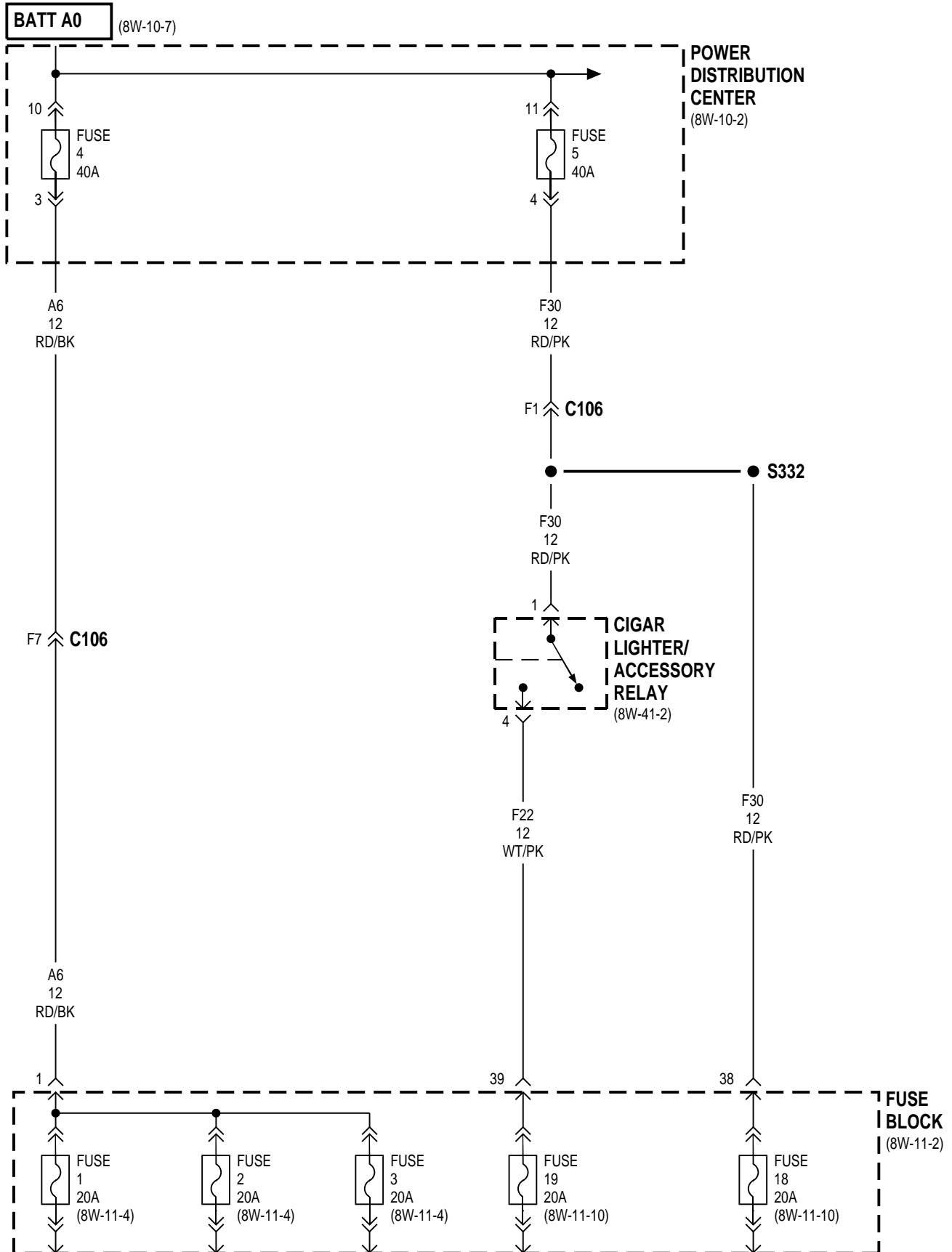
CAVITY	CIRCUIT	FUNCTION
D2	A4 12BK/PK	FUSED B (+)
D4	F12 20RD/LG	FUSED IGNITION (ST-RUN)
D5	-	-
D6	C81 20LB/WT	REAR WINDOW DEFOGGER RELAY CONTROL
D8	C15 12BK/WT	REAR WINDOW DEFOGGER RELAY OUTPUT

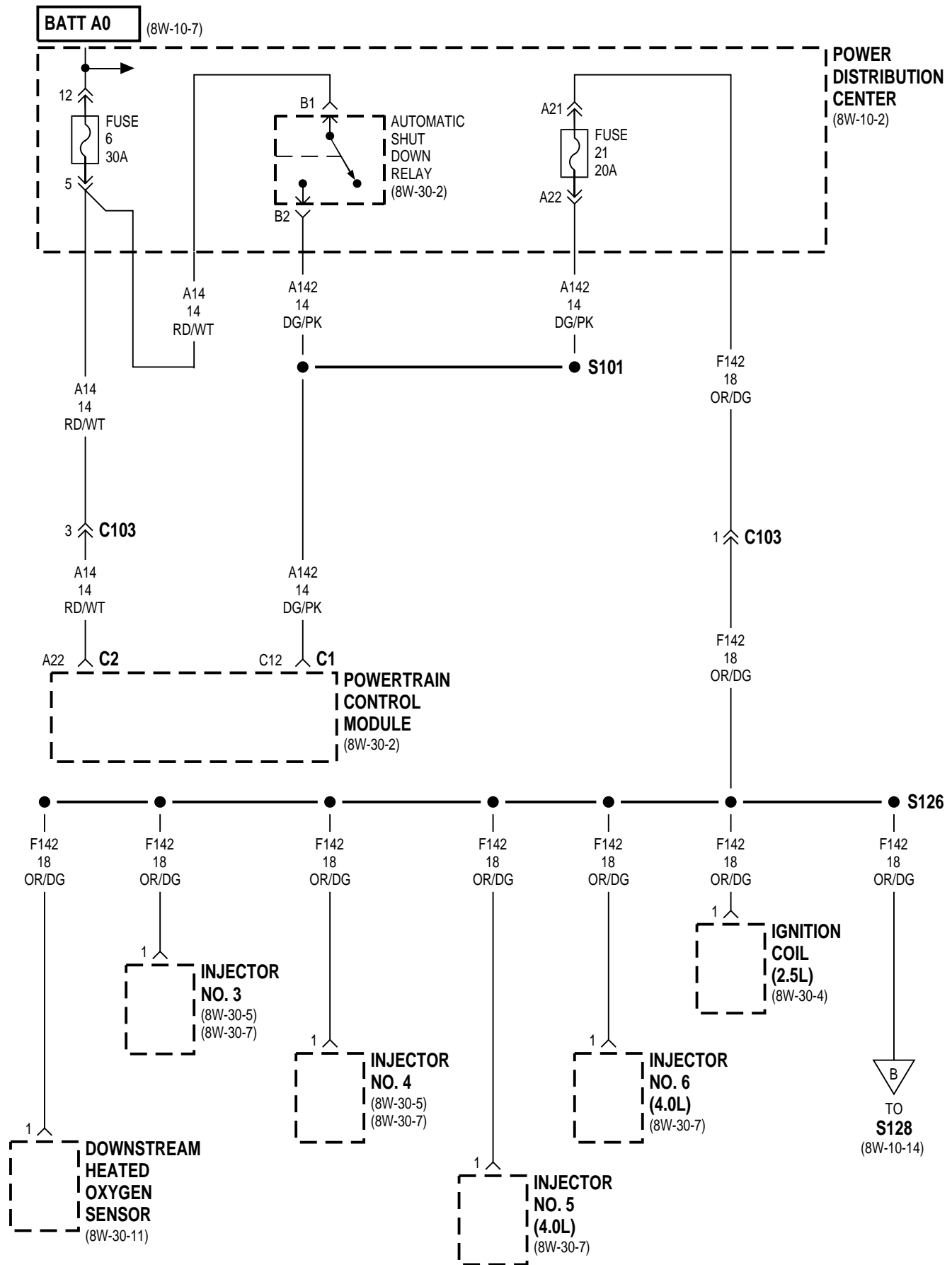


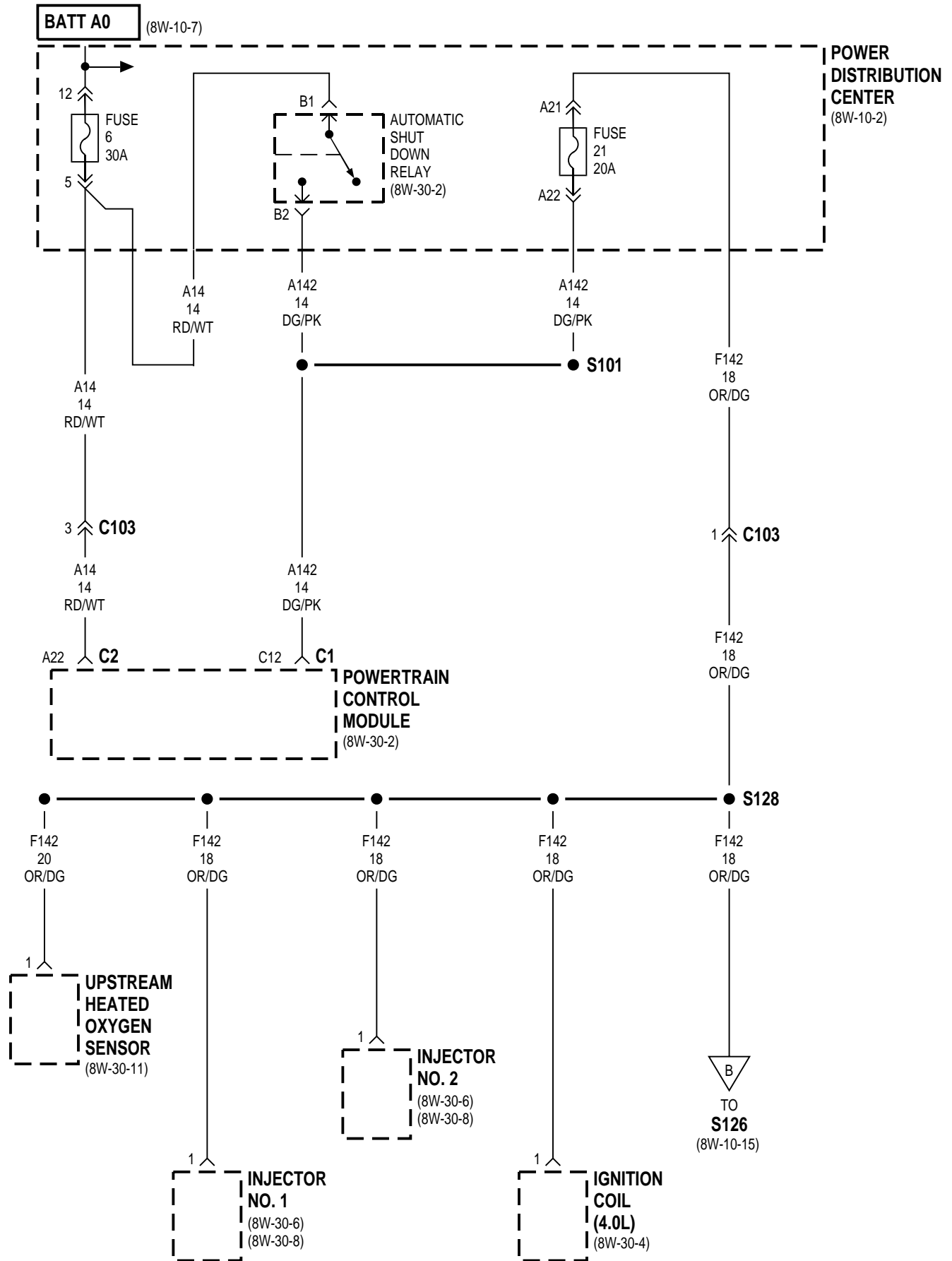


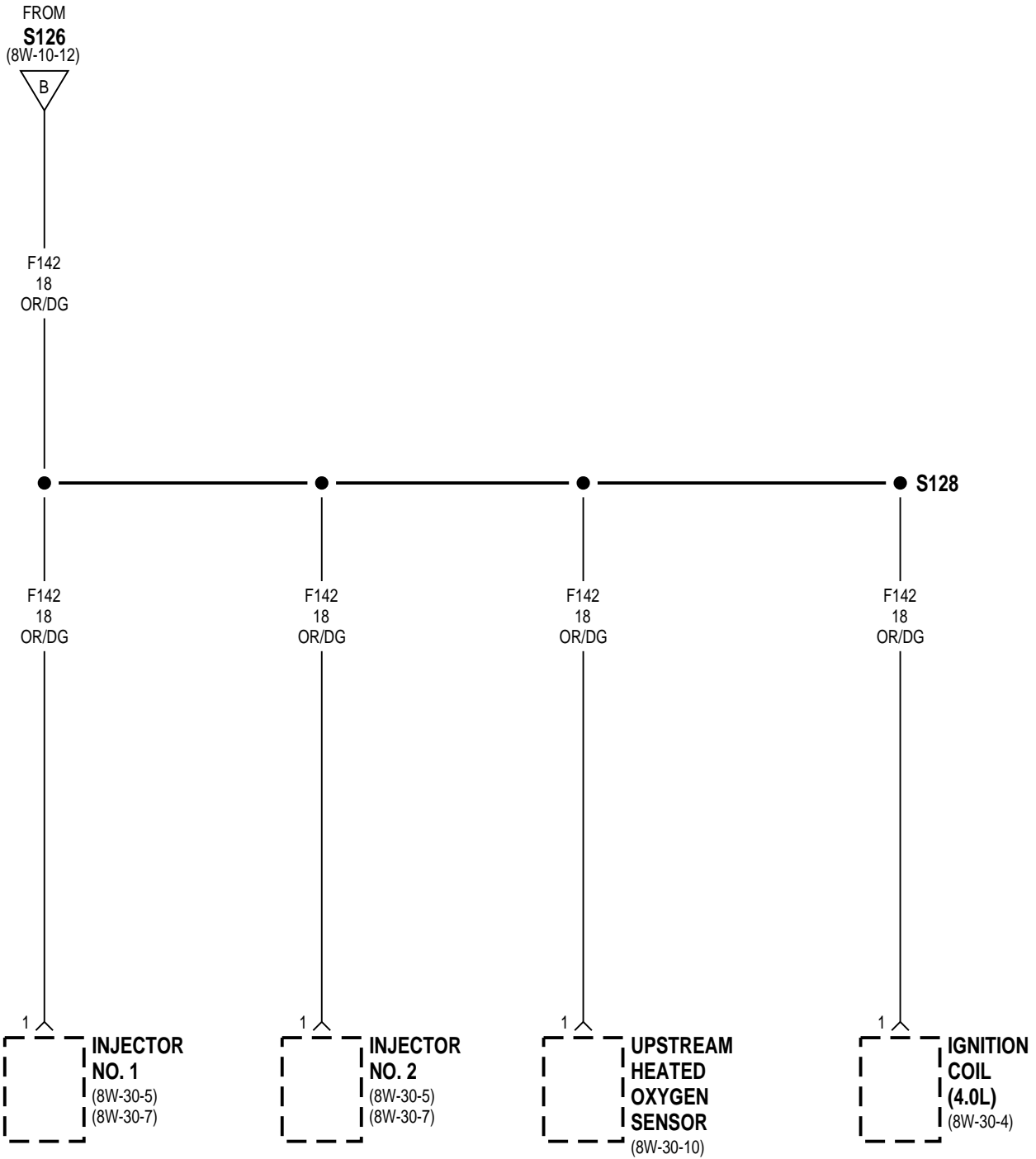


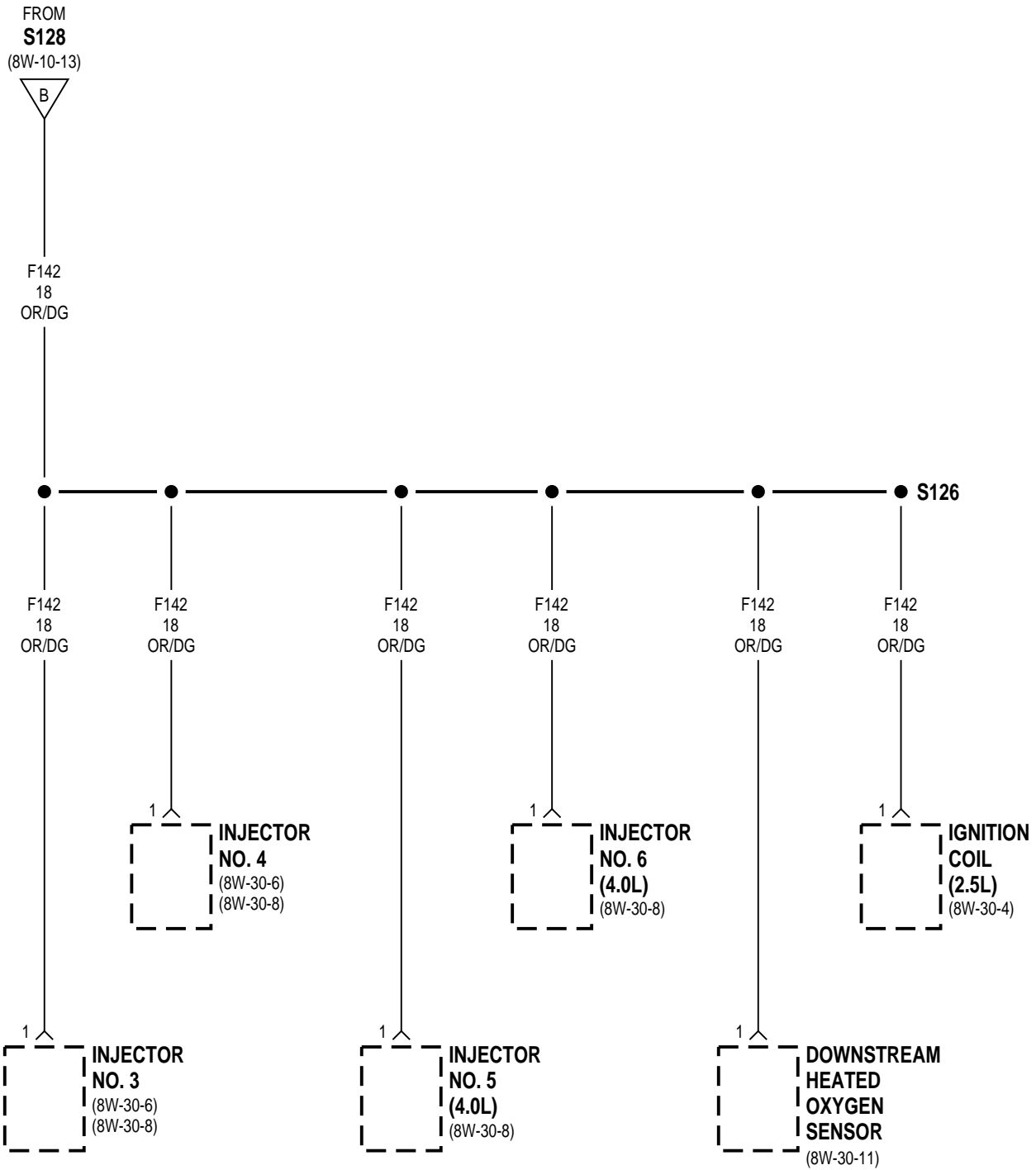


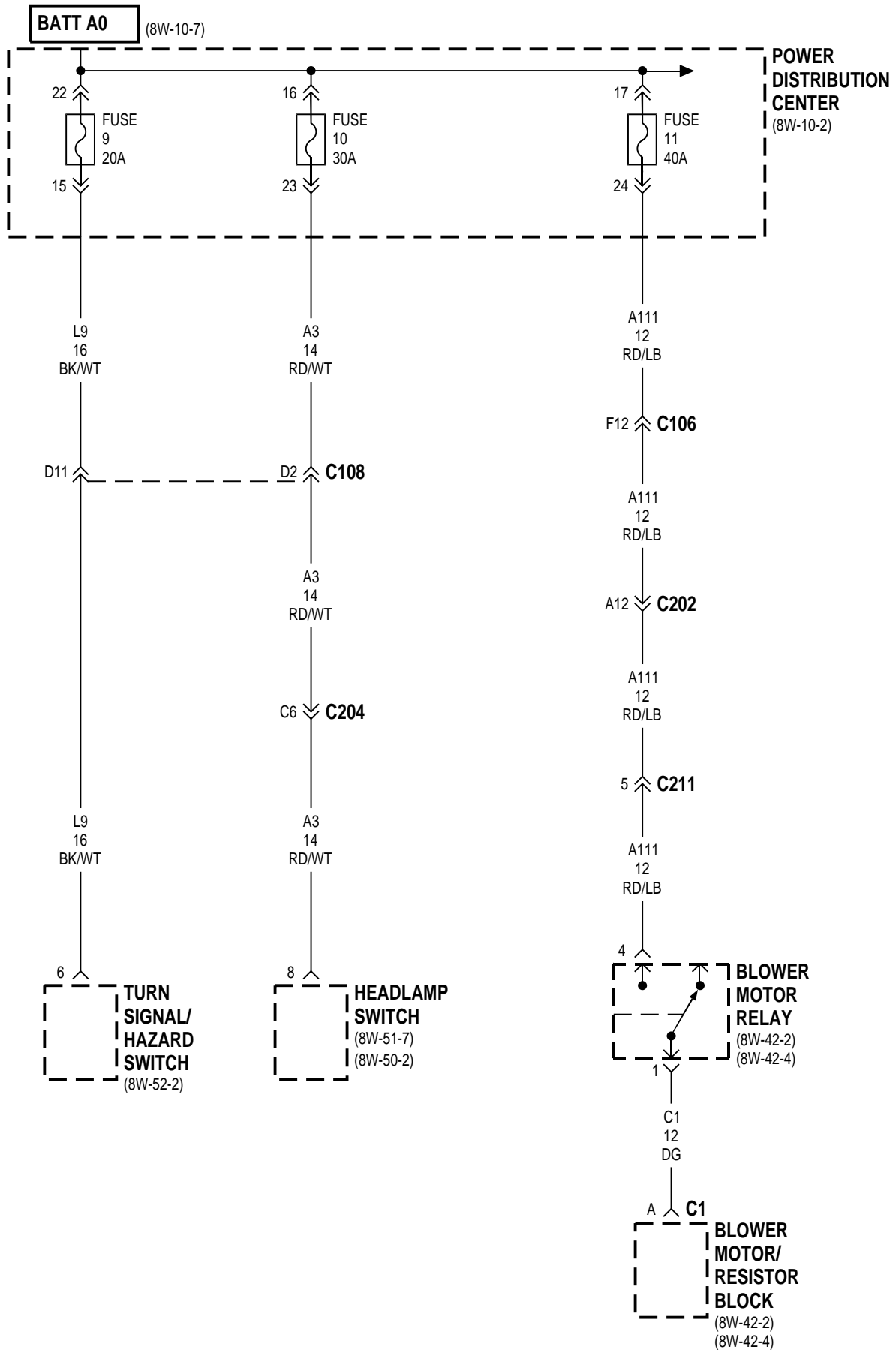


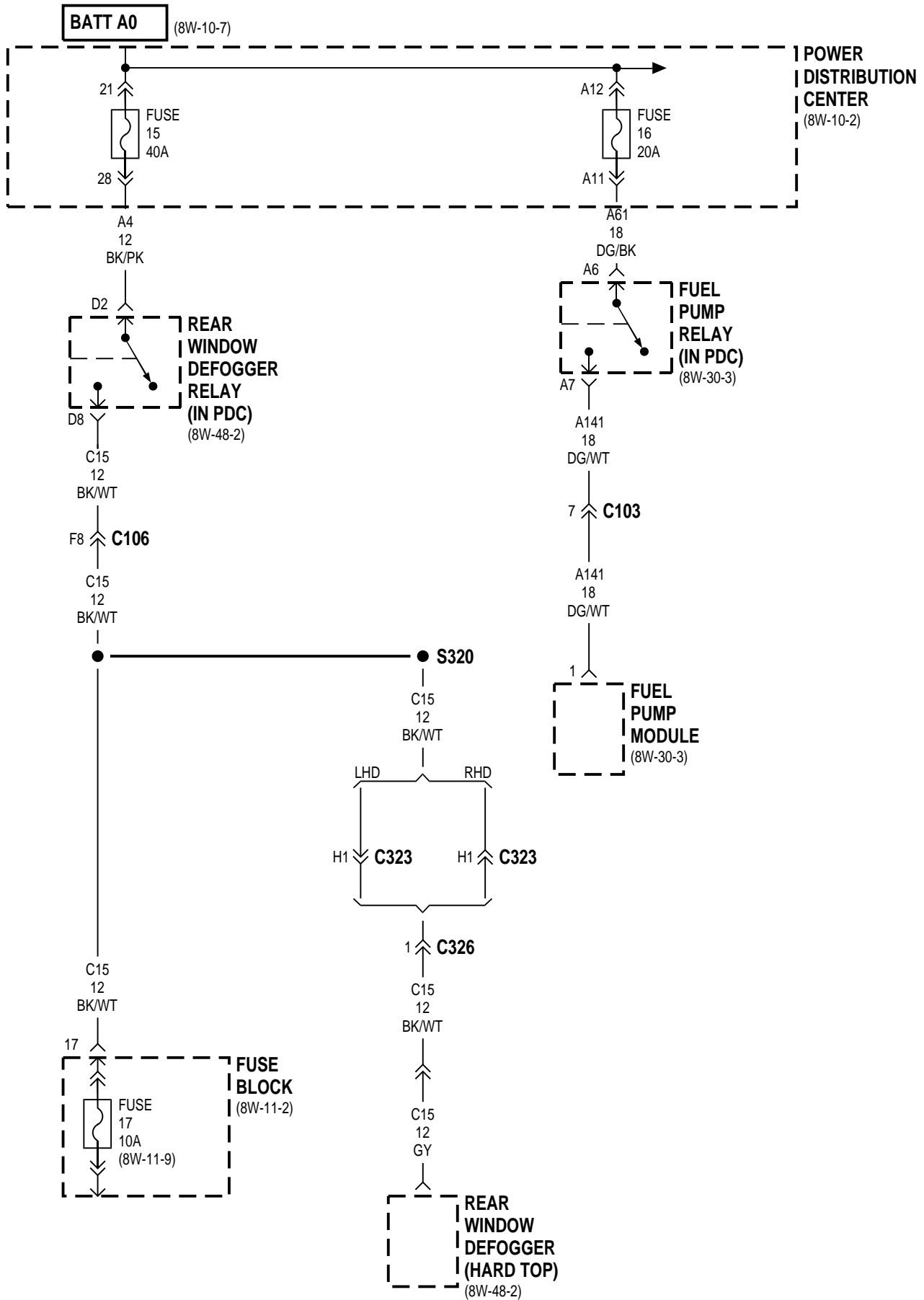


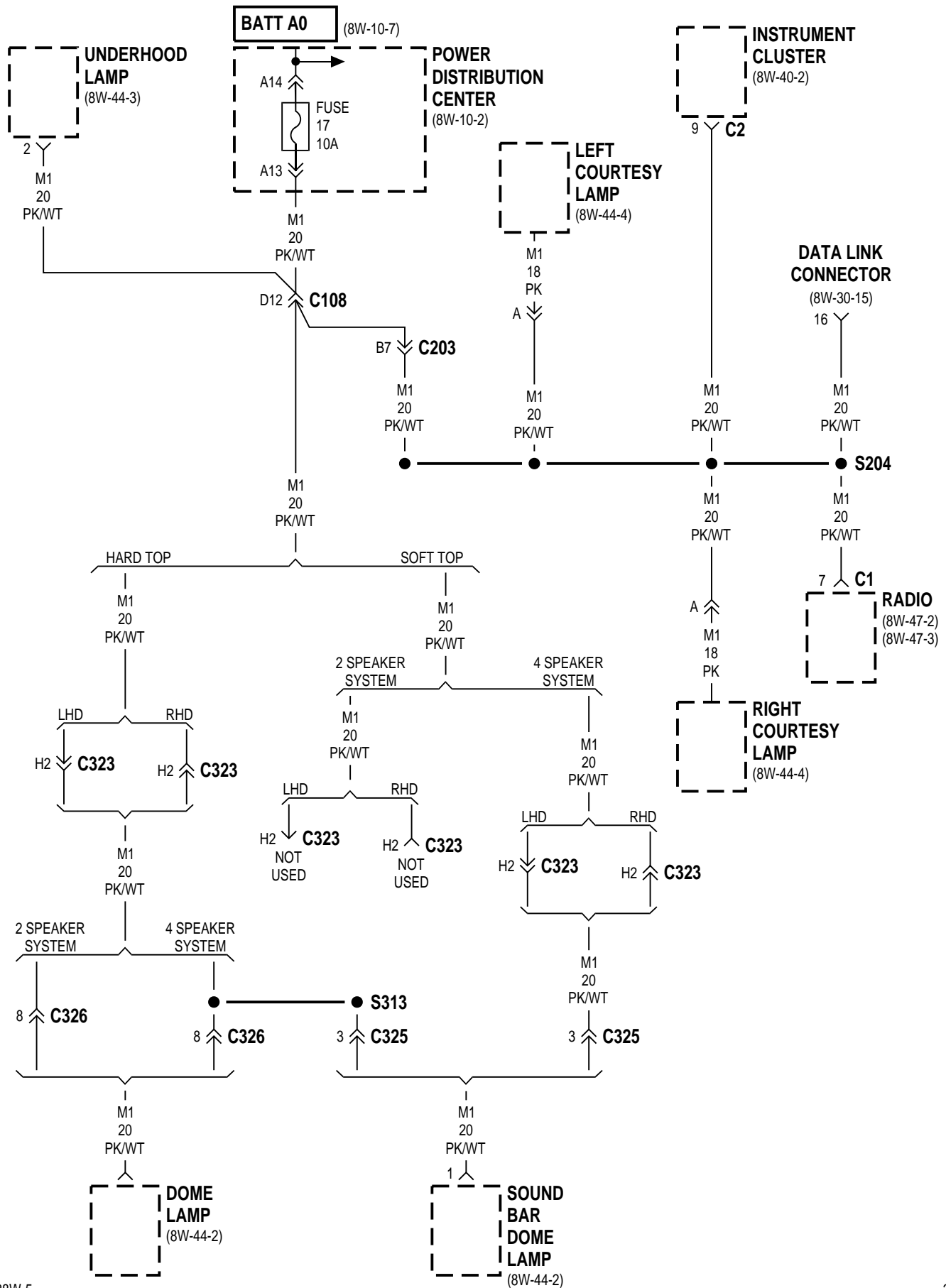


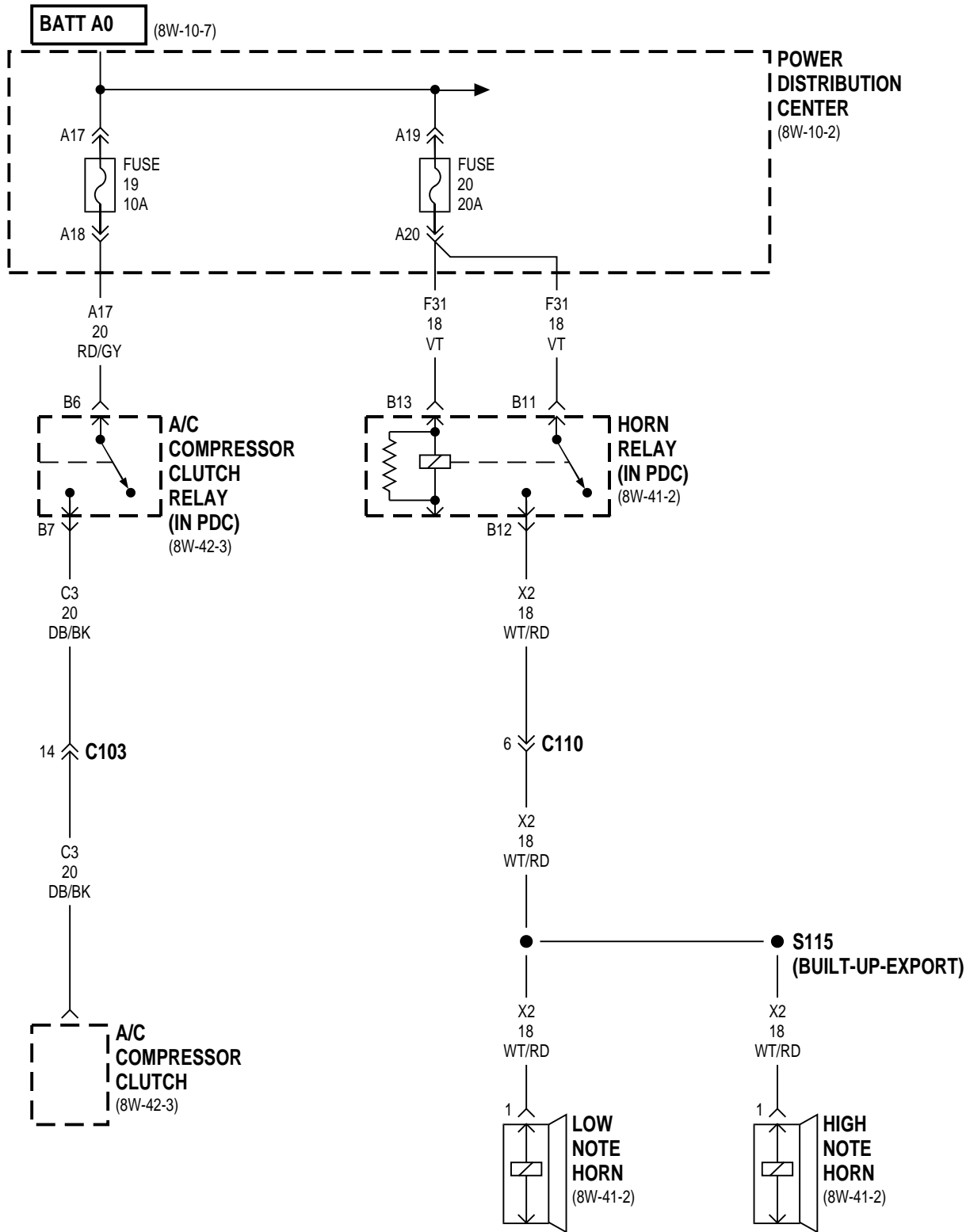


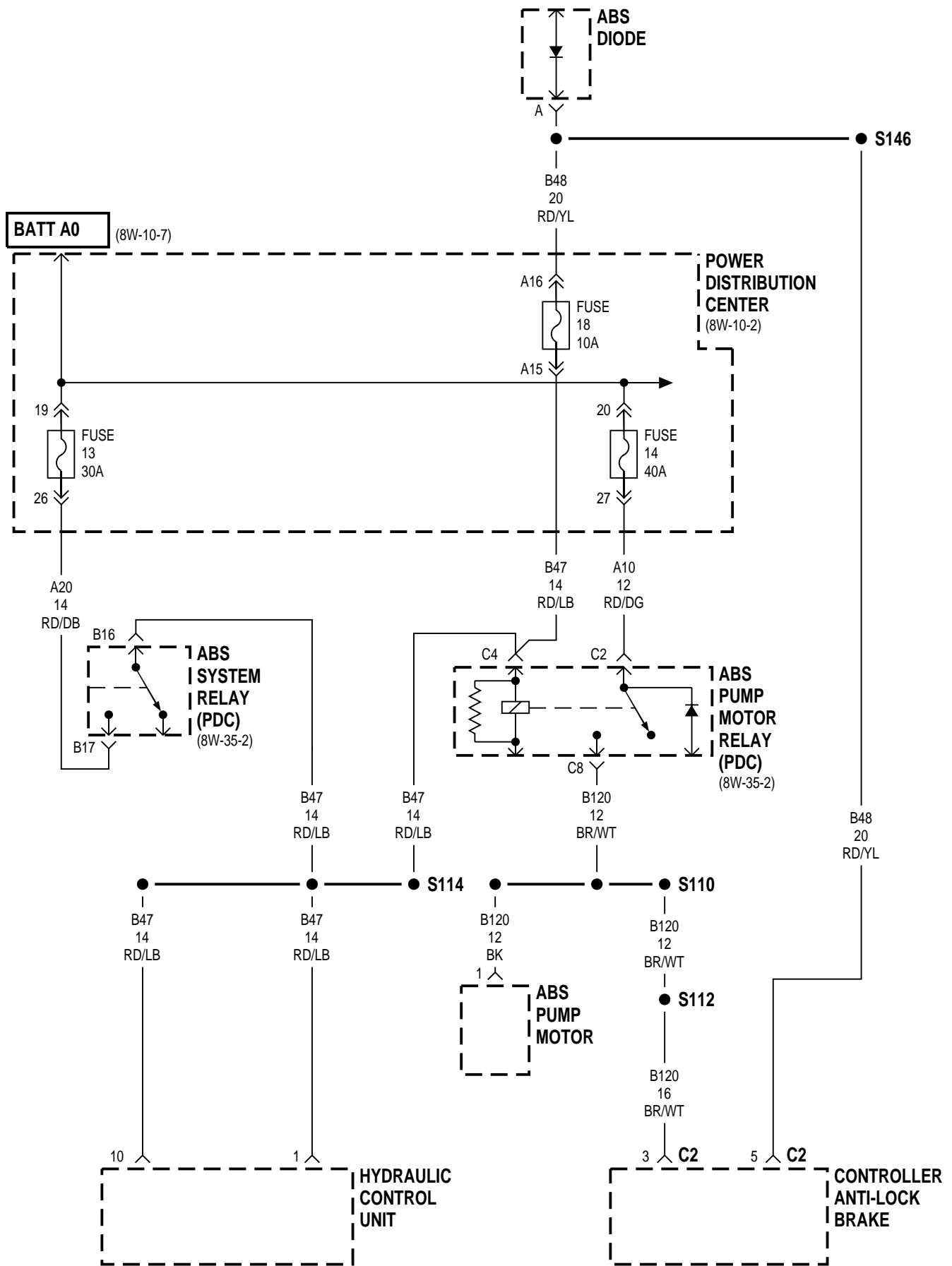








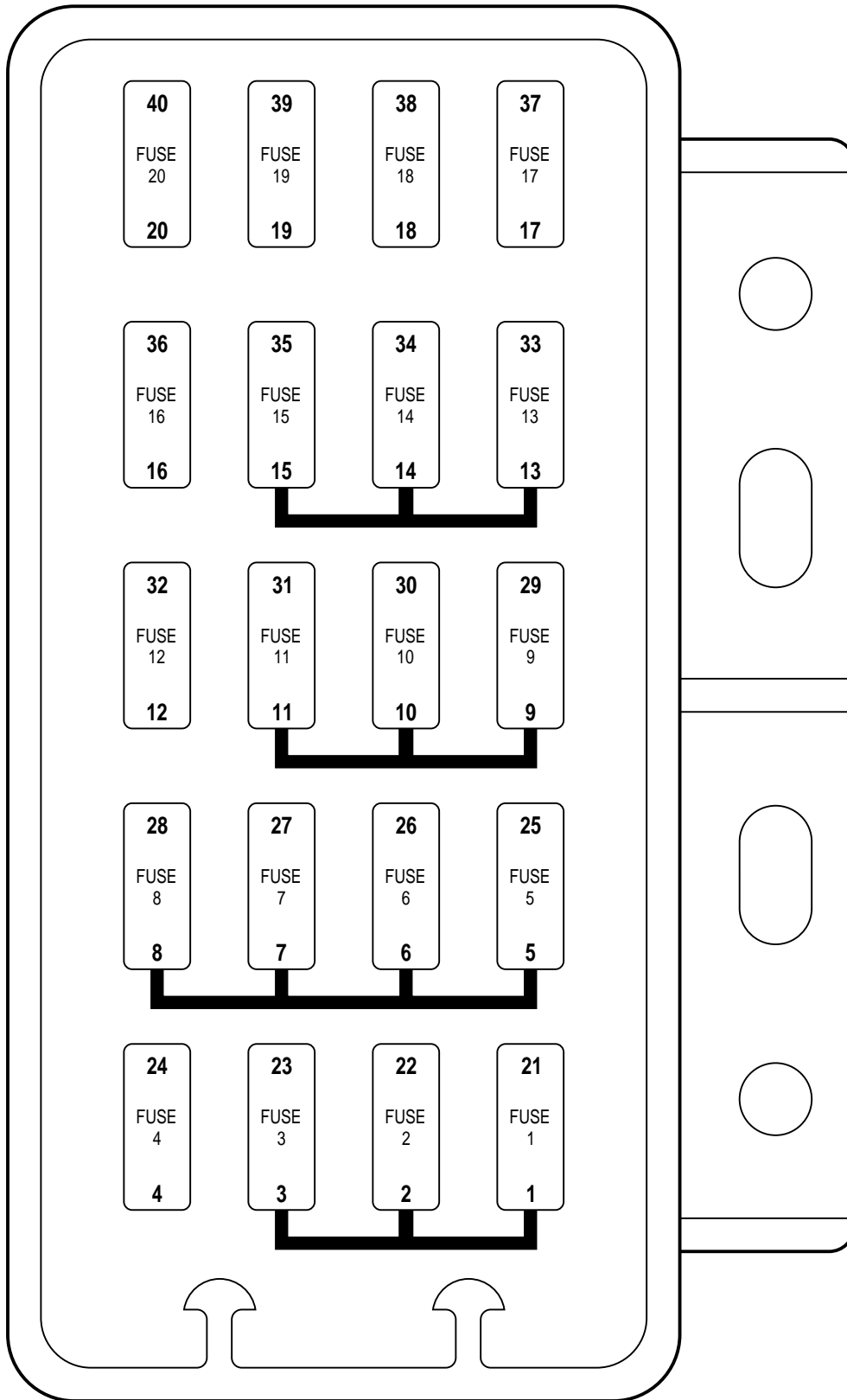




8W-11 FUSE BLOCK

Component	Page	Component	Page
A/C Compressor Clutch Relay	8W-11-7	Fuse 13 (FB)	8W-11-9
A/C Heater Control	8W-11-6, 8	Fuse 14 (FB)	8W-11-9
ABS System Relay	8W-11-6	Fuse 15 (FB)	8W-11-9
Airbag Control Module	8W-11-5, 7	Fuse 16 (FB)	8W-11-10
Automatic Shut Down Relay	8W-11-7	Fuse 17 (FB)	8W-11-9
Back-Up Lamp Switch	8W-11-6	Fuse 18 (FB)	8W-11-10
Brake Shift Interlock Solenoid	8W-11-7	Fuse 19 (FB)	8W-11-10
Cigar Lighter/Accessory Relay	8W-11-10	Fuse 20 (FB)	8W-11-9
Cigar Lighter/Power Outlet	8W-11-10	Fuse Block	8W-11-2, 4, 5, 6, 7, 8, 9, 10
Clutch Pedal Position Switch	8W-11-9	G300	8W-11-4
Clutch Pedal Position Switch Connector	8W-11-9	Headlamp Dimmer Switch	8W-11-10
Controller Anti-Lock Brake	8W-11-6	Headlamp Leveling Switch	8W-11-10
Daytime Running Lamp Module	8W-11-7	Headlamp Switch	8W-11-4, 8, 10
Driver Door Ajar Switch	8W-11-4	Immobilizer	8W-11-4, 7
Duty Cycle Evap/Purge Solenoid	8W-11-7	Instrument Cluster	8W-11-7, 8
Engine Starter Motor Relay	8W-11-9	Left Headlamp Leveling Motor	8W-11-10
Evap Leak Detection Pump	8W-11-7	Park/Neutral Position Switch	8W-11-6
Fog Lamp Relay No. 1	8W-11-4	Passenger Door Ajar Switch	8W-11-4
Fog Lamp Relay No. 2	8W-11-4	Powertrain Control Module	8W-11-7
Front Fog Lamp Switch	8W-11-8	PRNDL Lamp	8W-11-8
Fuel Pump Relay	8W-11-7	Radio	8W-11-8, 9
Fuse 1 (FB)	8W-11-4	Rear Fog Lamp Relay	8W-11-4, 10
Fuse 2 (FB)	8W-11-4	Rear Fog Lamp Switch	8W-11-8
Fuse 3 (FB)	8W-11-4	Rear Window Defogger Relay	8W-11-7, 9
Fuse 4 (FB)	8W-11-4	Rear Window Defogger Switch	8W-11-8, 9
Fuse 5 (FB)	8W-11-5	Rear Wiper Motor	8W-11-5
Fuse 6 (FB)	8W-11-5	Rear Wiper/Washer Switch	8W-11-5, 8
Fuse 7 (FB)	8W-11-6	Right Headlamp Leveling Motor	8W-11-10
Fuse 8 (FB)	8W-11-6	Stop Lamp Switch	8W-11-4
Fuse 9 (FB)	8W-11-7	Torque Converter Clutch Solenoid	8W-11-7
Fuse 10 (FB)	8W-11-7	Turn Signal/Hazard Switch	8W-11-9
Fuse 11 (FB)	8W-11-7	Windshield Wiper Motor	8W-11-9
Fuse 12 (FB)	8W-11-8	Windshield Wiper Switch	8W-11-9

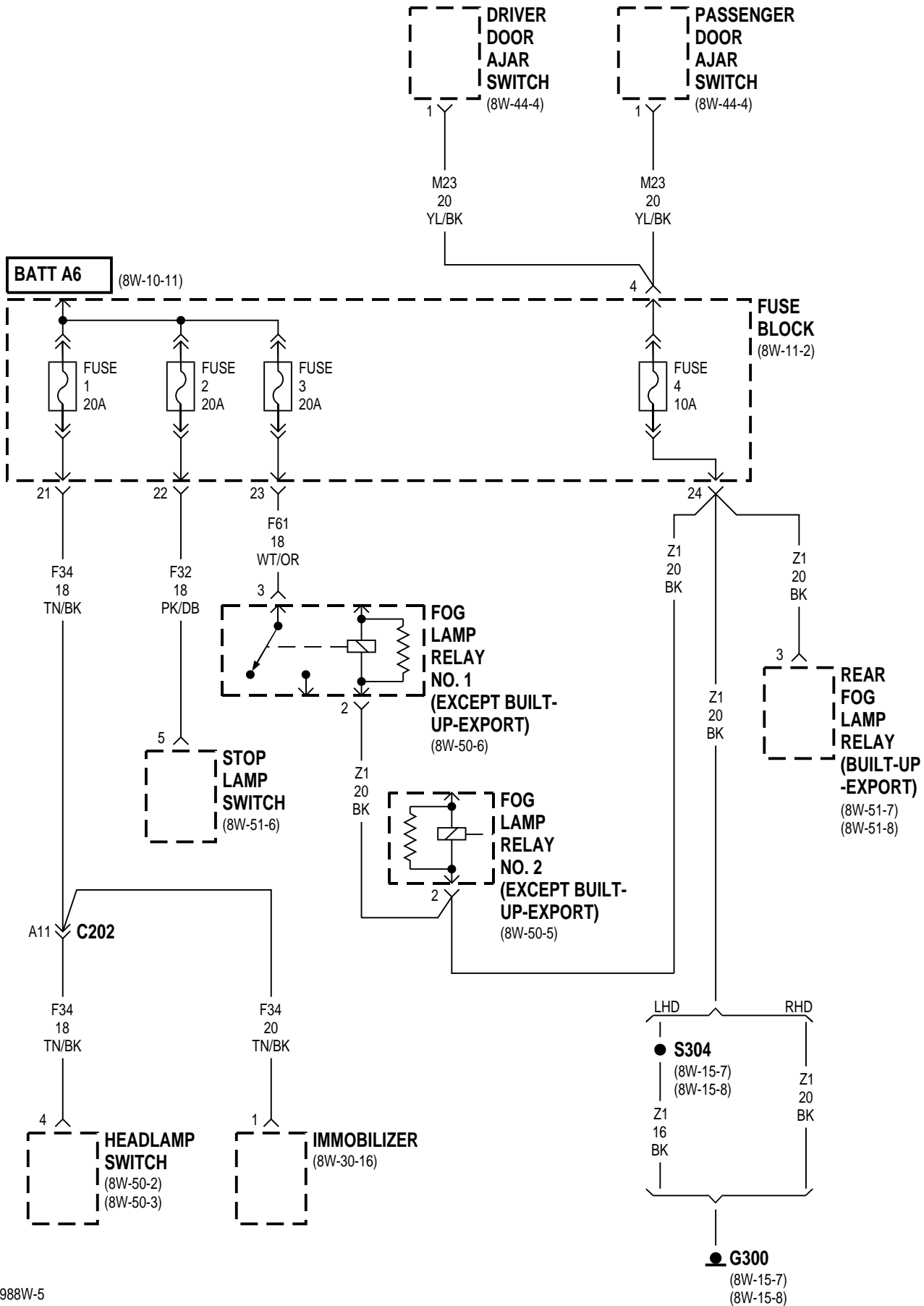
FRONT OF
FUSE BLOCK

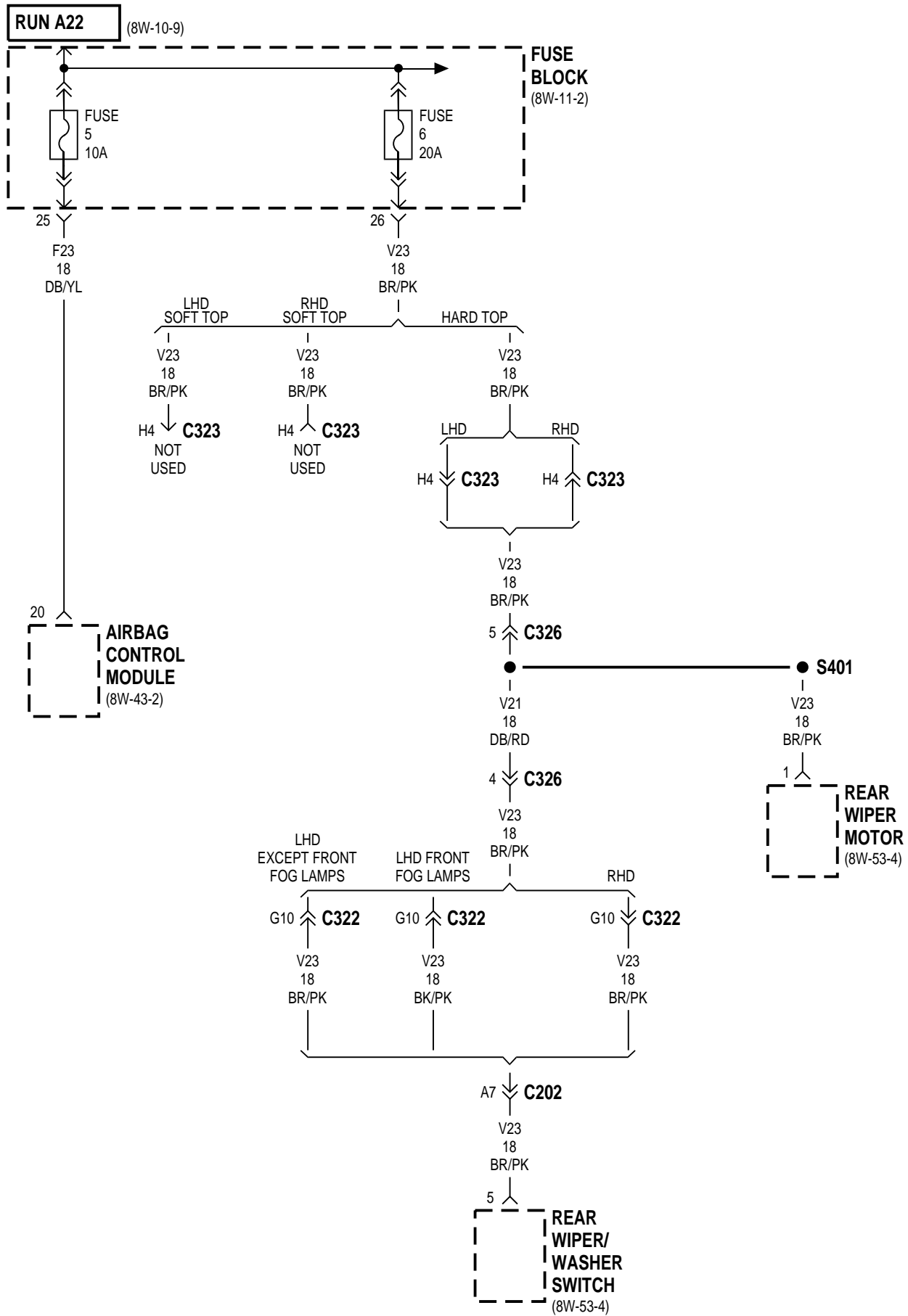


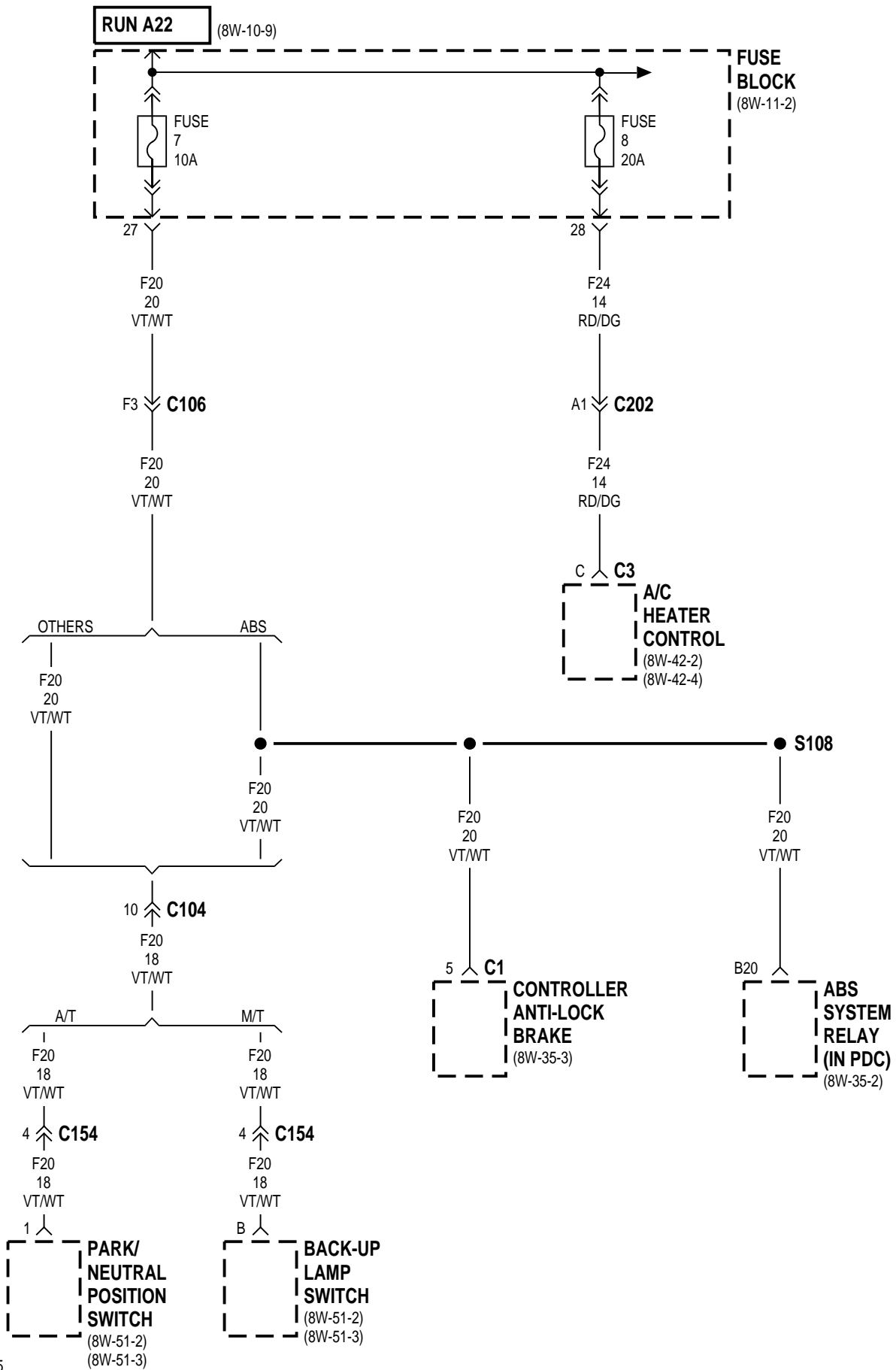
FUSES

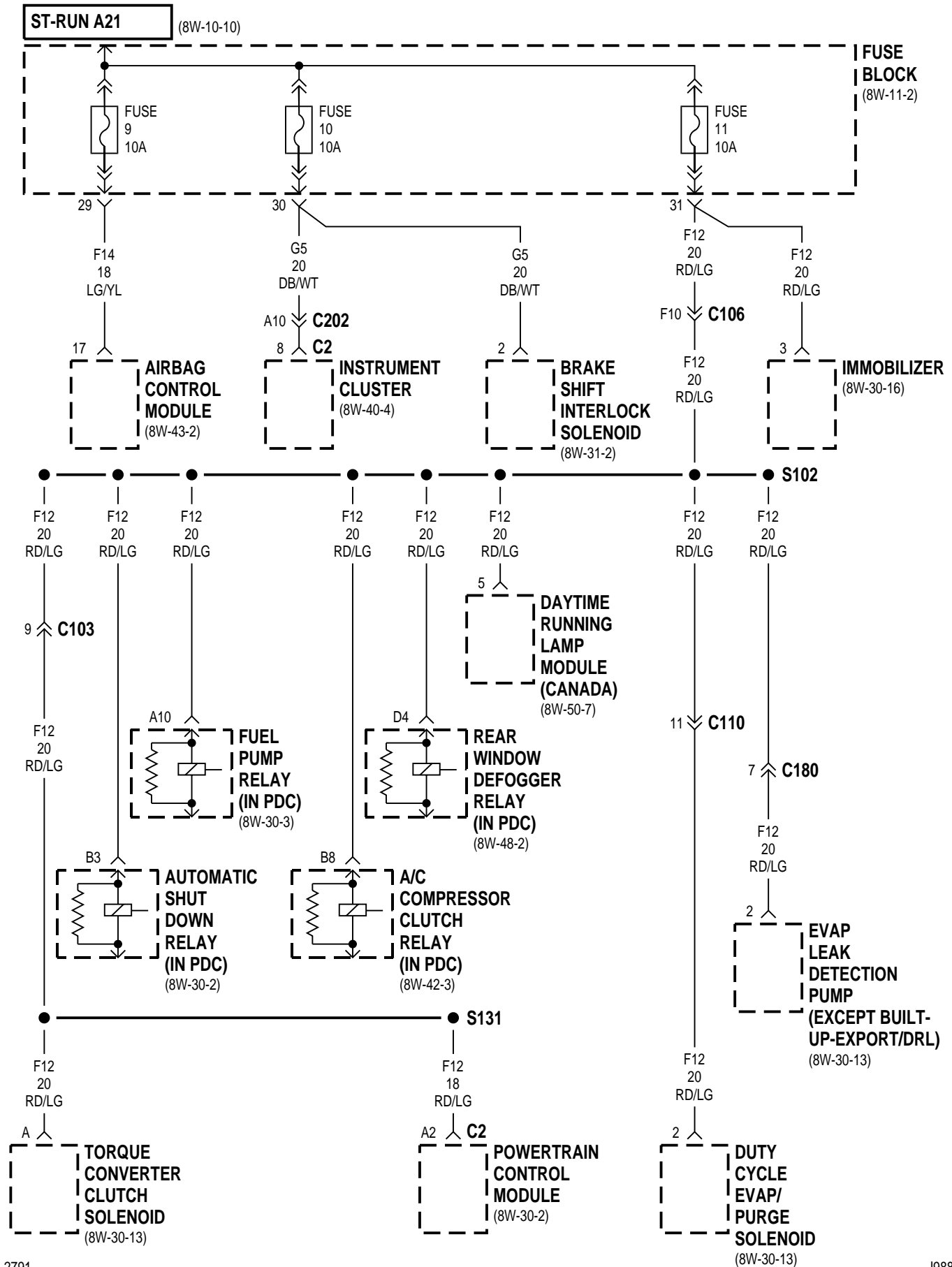
FUSE NO.	AMPS	FUSED CIRCUIT	FEED CIRCUIT
1	20A	F34 18TN/BK	A6 12RD/BK
2	20A	F32 18PK/DB	
3	20A	F61 18WT/OR*	
4	10A	Z1 20BK	M23 20YL/BK
		Z1 20BK*++	M23 20YL/BK
5	10A	F23 18DB/YL	A22 12BK/OR
6	20A	V23 18BR/PK	
7	10A	F20 20VT/WT	
8	20A	F24 14RD/DG	
9	10A	F14 18LG/YL	A21 14DB
		G5 20DB/WT	
10	10A	G5 20DB/WT	
		F12 20RD/LG	
11	10A	F12 20RD/LG	
		E2 20OR	
12	10A	E2 20OR	E1 18TN
		L5 20BK/GY	
13	10A	L5 20BK/GY	A31 14BK/DG*+ A31 14BK/WT
14	20A	V6 18PK/BK	
15	10A	X12 20PK	
16	10A	L22 20LG/DG**	L2 16LG**
17	10A	F81 20DB/RD	C15 12BK/WT
18	-	A18 16RD/BK	F30 12RD/PK
19	20A	F38 16LB	F22 12WT/PK
		F38 16LB	
20	20A~	T141 14YL/RD	A41 14YL

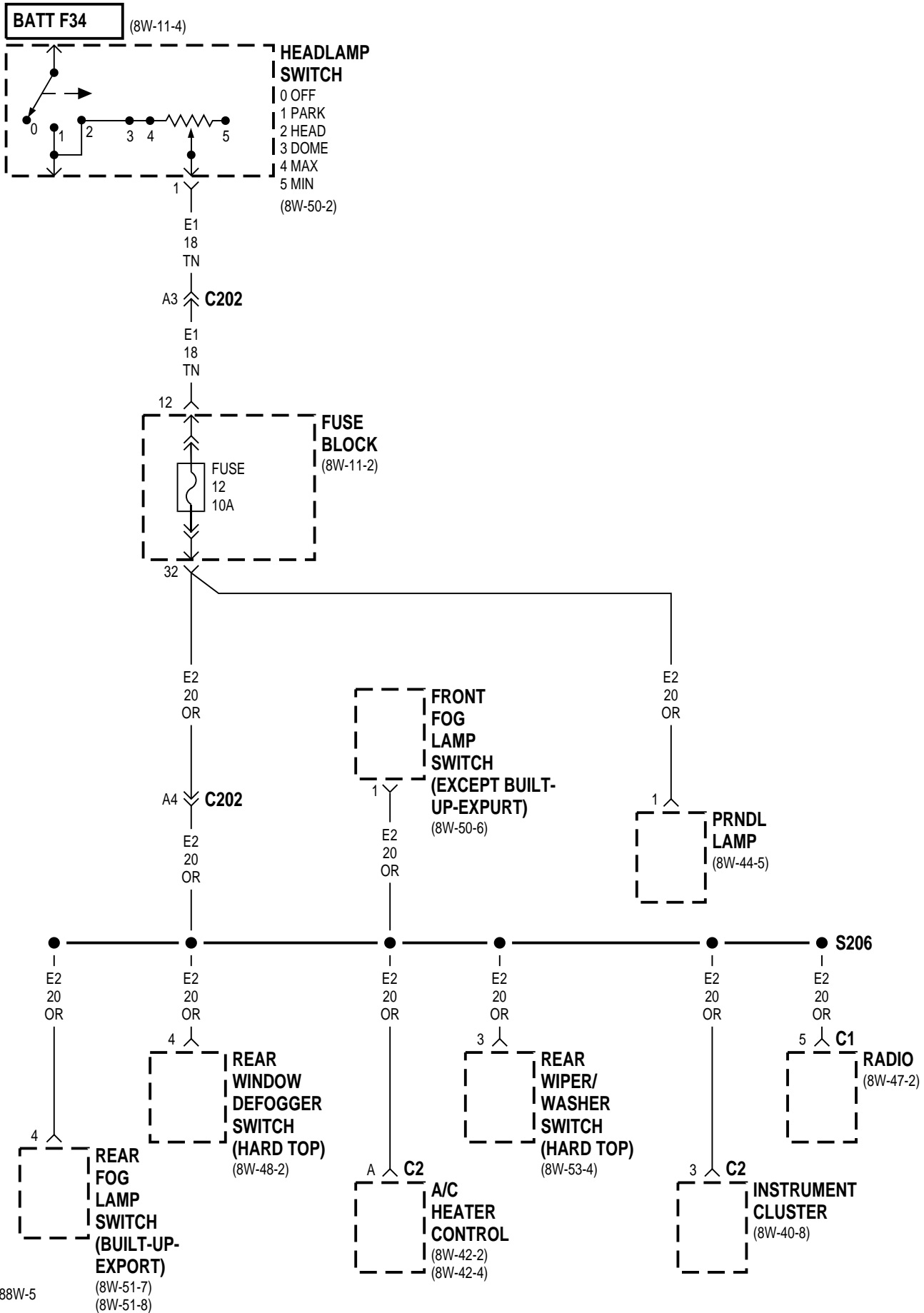
* FRONT FOG LAMP
 ** BUILT-UP-EXPORT
 + RHD
 ++ REAR FOG LAMP
 ~ A/T

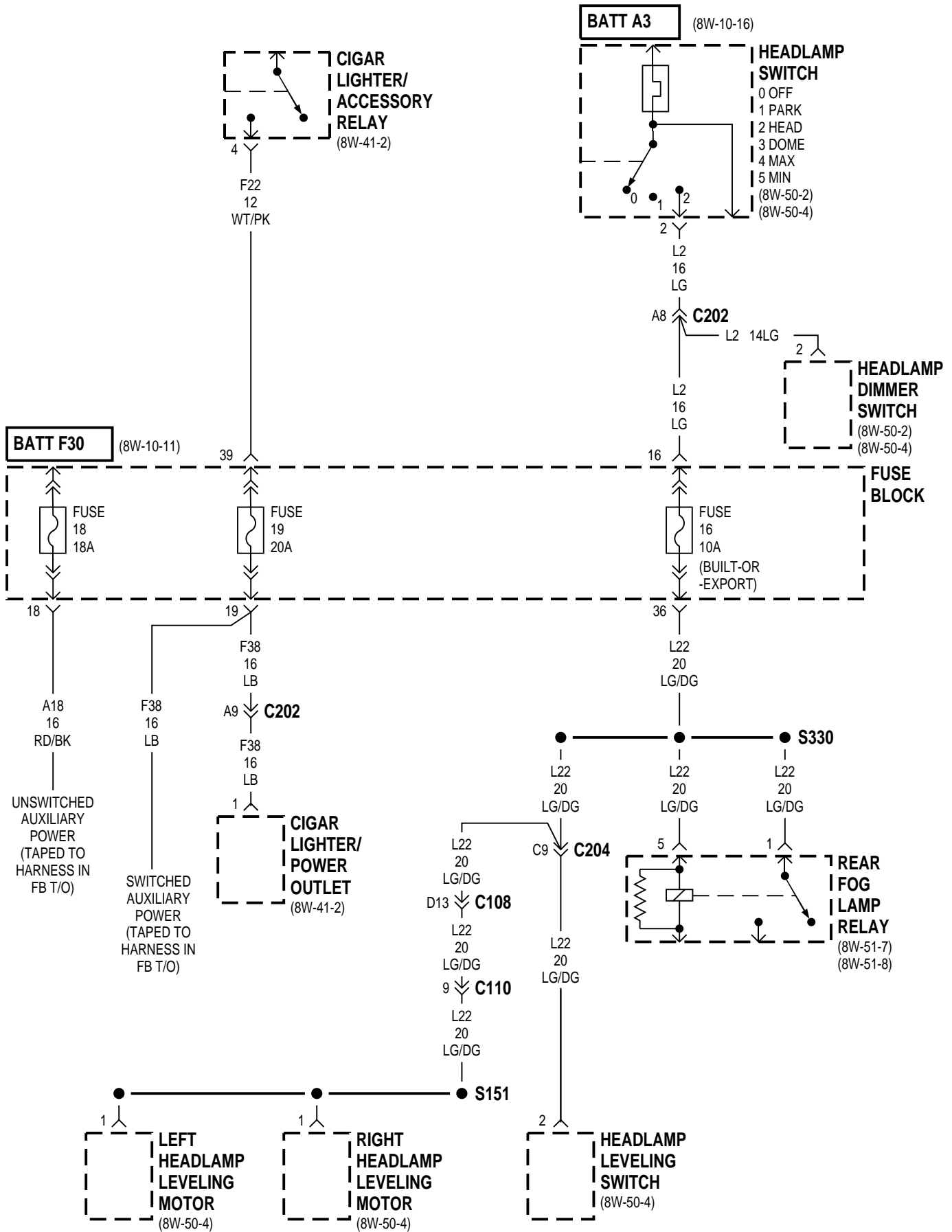






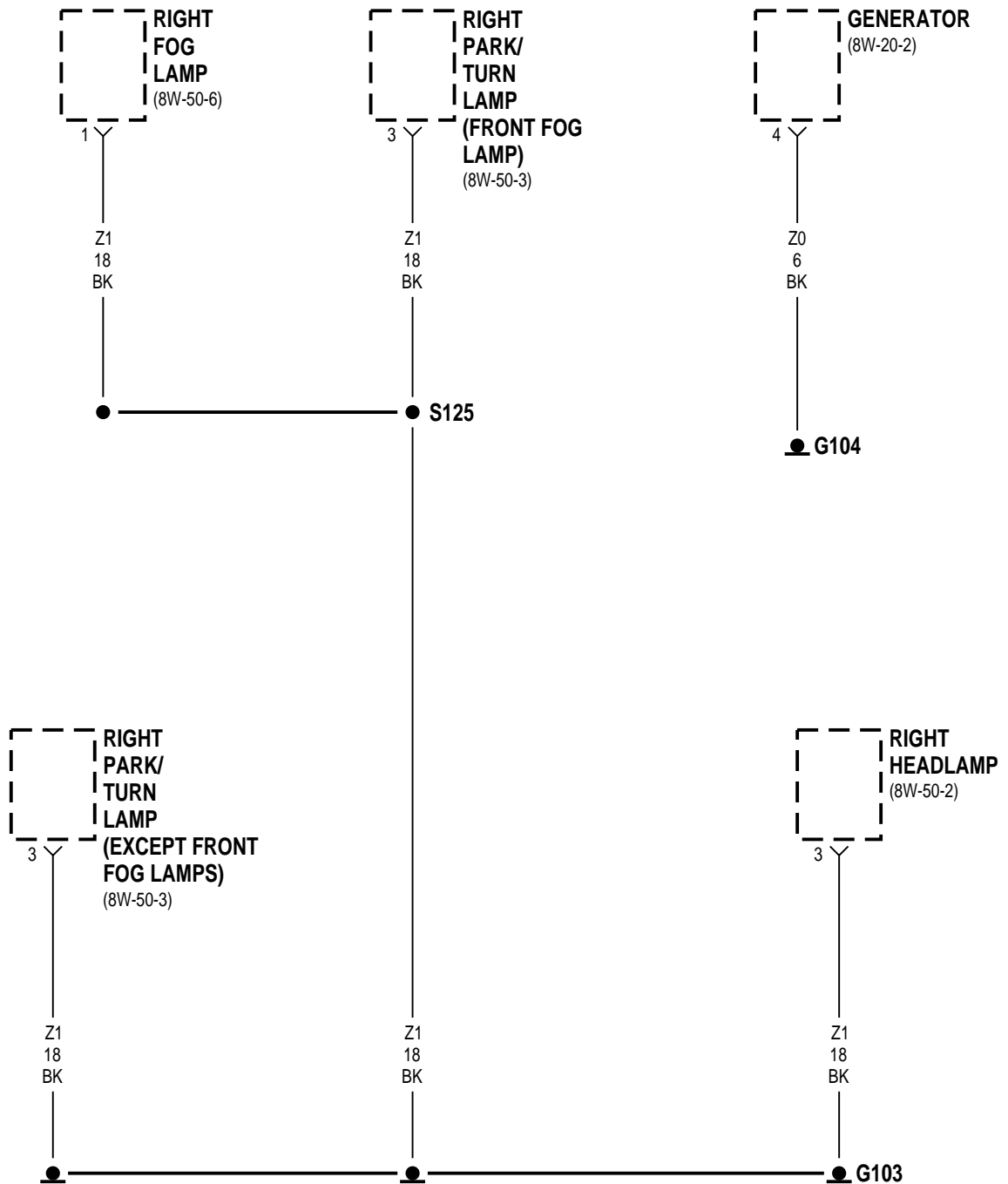


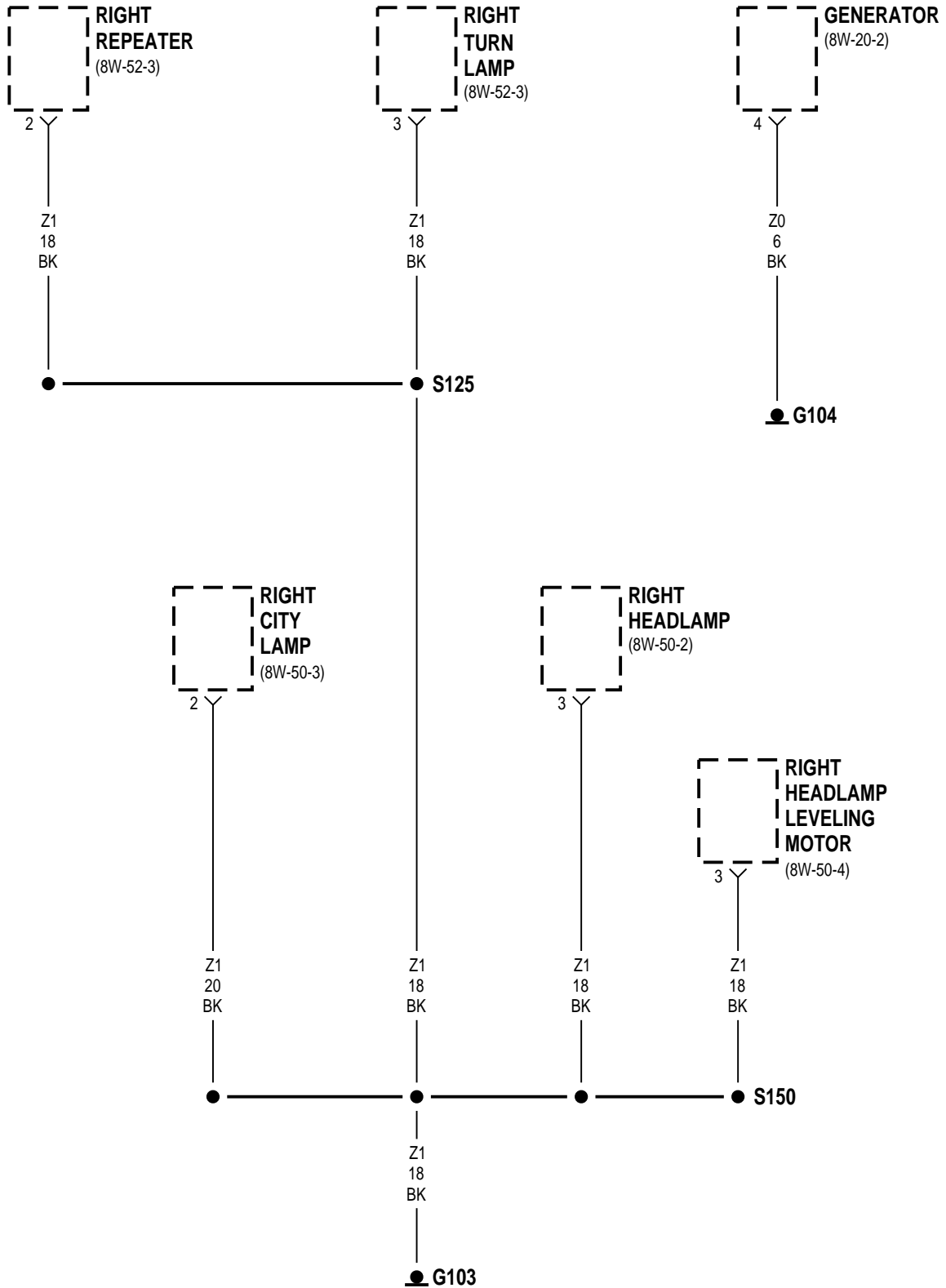


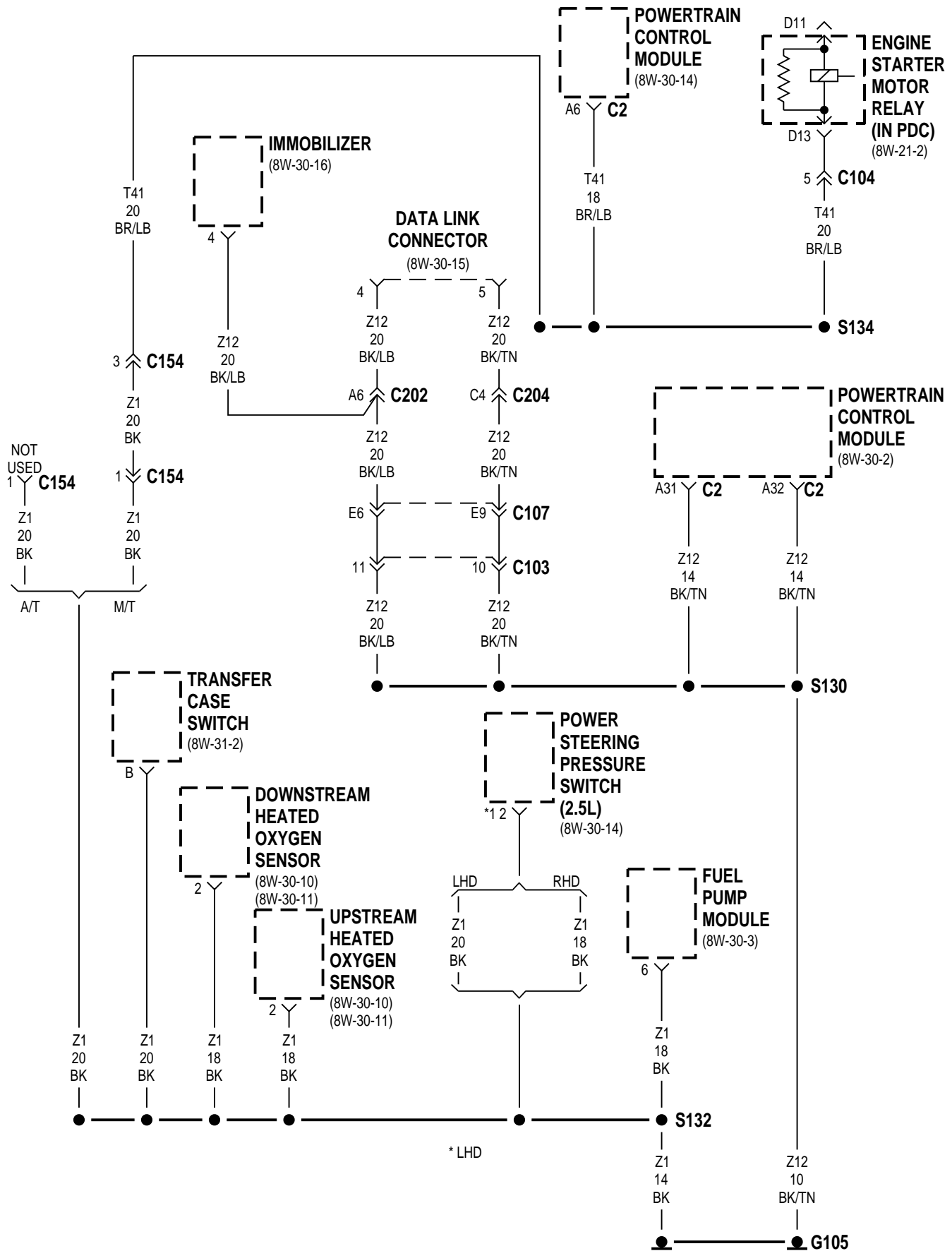


8W-15 GROUND DISTRIBUTION

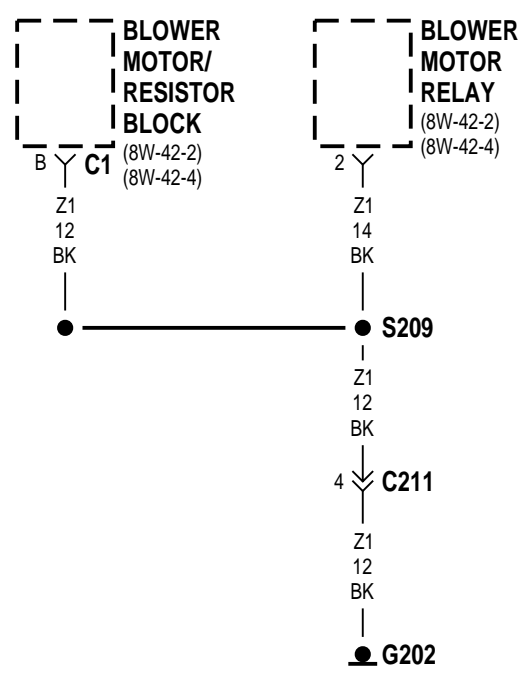
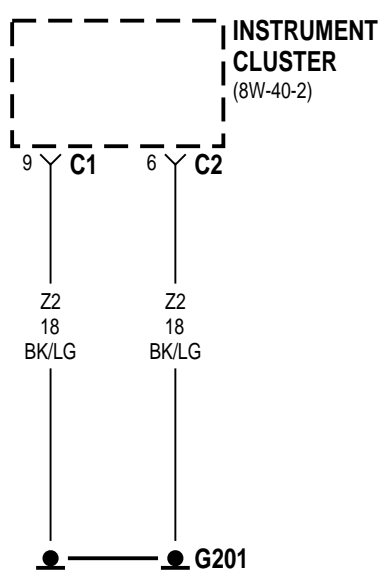
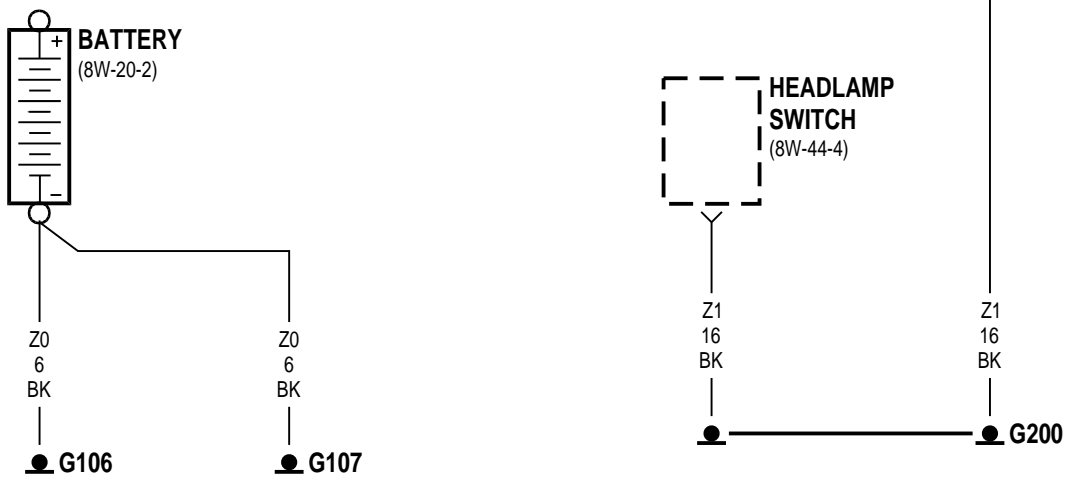
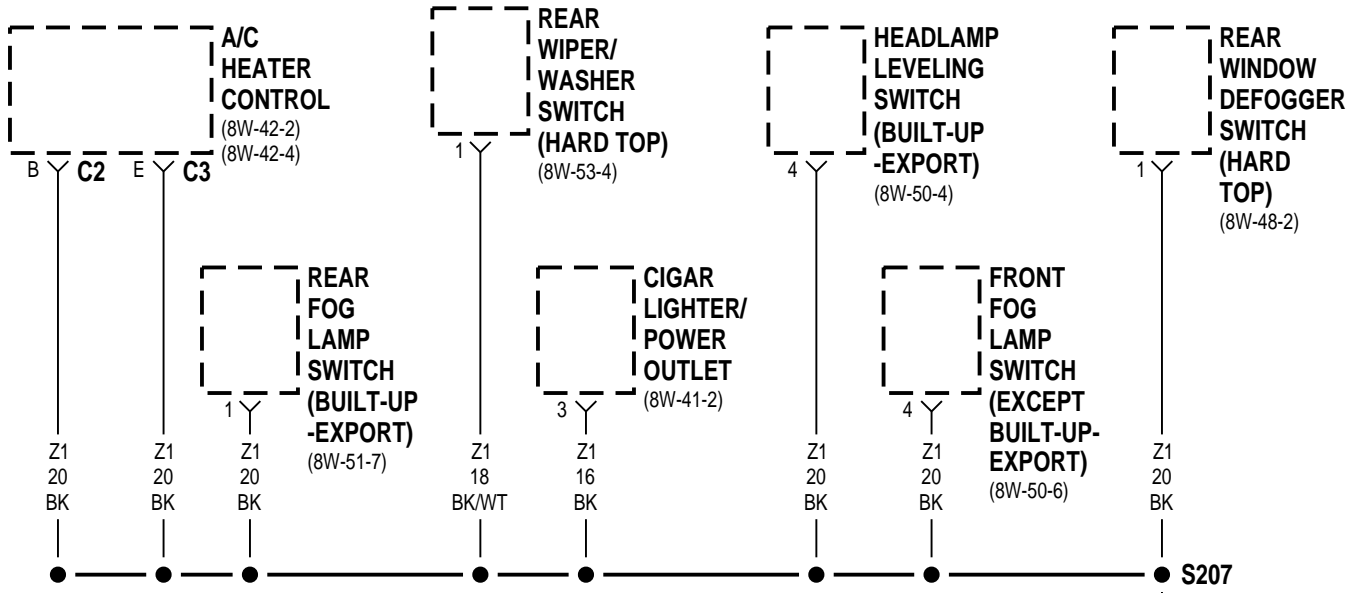
Component	Page	Component	Page
A/C Heater Control	8W-15-5, 6	Ignition Switch	8W-15-7, 8
ABS Pump Motor	8W-15-10	Immobilizer	8W-15-4, 8, 9
ABS Pump Motor Relay	8W-15-10	Instrument Cluster	8W-15-5, 6
ABS System Relay	8W-15-10	Left City Lamp	8W-15-11
Airbag Control Module	8W-15-9	Left Fog Lamp	8W-15-11
Battery	8W-15-5, 6	Left Headlamp	8W-15-11
Blower Motor Relay	8W-15-5, 6	Left Headlamp Leveling Motor	8W-15-11
Blower Motor/Resistor Block	8W-15-5, 6	Left License Lamp	8W-15-9
Center High Mounted Stop Lamp	8W-15-9	Left Park/Turn Lamp	8W-15-11
Cigar Lighter/Accessory Relay	8W-15-7, 8	Left Repeater	8W-15-11
Cigar Lighter/Power Outlet	8W-15-5, 6	Left Turn Lamp	8W-15-11
Combination Flasher	8W-15-7, 8	Low Note Horn	8W-15-11
Controller Anti-Lock Brake	8W-15-10	Passenger Door Ajar Switch	8W-15-7, 8
Data Link Connector	8W-15-4	Power Steering Pressure Switch	8W-15-4
Daytime Running Lamp Module	8W-15-10	Powertrain Control Module	8W-15-4
Downstream Heated Oxygen Sensor	8W-15-4	PRNDL Lamp	8W-15-7, 8
Driver Door Ajar Switch	8W-15-7, 8	Rear Fog Lamp	8W-15-9
Engine Starter Motor Relay	8W-15-4	Rear Fog Lamp Relay	8W-15-7, 8
Fog Lamp Relay No. 1	8W-15-7	Rear Fog Lamp Switch	8W-15-5, 6
Front Fog Lamp Switch	8W-15-5	Rear Washer Pump Motor	8W-15-9
Fuel Pump Module	8W-15-4	Rear Window Defogger	8W-15-9
Fuse 4 (FB)	8W-15-7, 8	Rear Window Defogger Switch	8W-15-5, 6
Fuse Block	8W-15-7, 8	Rear Wiper Motor	8W-15-9
G100	8W-15-10	Rear Wiper/Washer Switch	8W-15-5, 6
G101	8W-15-10	Right City Lamp	8W-15-3
G102	8W-15-11	Right Fog Lamp	8W-15-2
G103	8W-15-2, 3	Right Headlamp	8W-15-2, 3
G104	8W-15-2, 3	Right Headlamp Leveling Motor	8W-15-3
G105	8W-15-4	Right License Lamp	8W-15-9
G106	8W-15-5, 6	Right Park/Turn Lamp	8W-15-2
G107	8W-15-5, 6	Right Repeater	8W-15-3
G200	8W-15-5, 6	Right Turn Lamp	8W-15-3
G201	8W-15-5, 6	Seat Belt Switch	8W-15-9
G202	8W-15-5, 6	Stop Lamp Switch	8W-15-7, 8
G300	8W-15-7, 8	Transfer Case Switch	8W-15-4
G301	8W-15-9	Underhood Lamp	8W-15-10
G302	8W-15-9	Upstream Heated Oxygen Sensor	8W-15-4
Generator	8W-15-2, 3	Vehicle Speed Control Servo	8W-15-10
Headlamp Leveling Switch	8W-15-5, 6	Windshield Washer Pump Motor	8W-15-11
Headlamp Switch	8W-15-5, 6	Windshield Wiper Motor	8W-15-7, 8
High Note Horn	8W-15-11	Windshield Wiper Switch	8W-15-7, 8



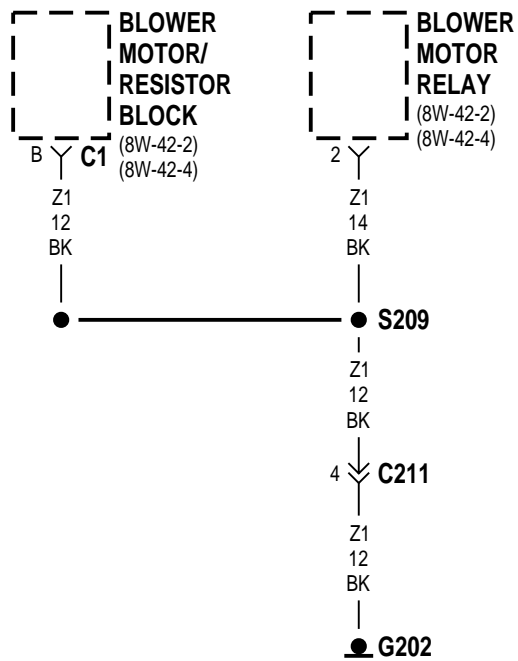
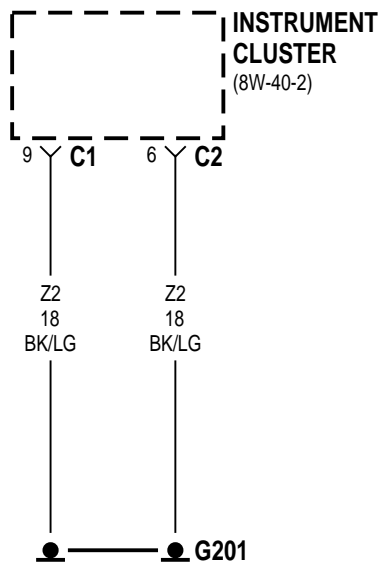
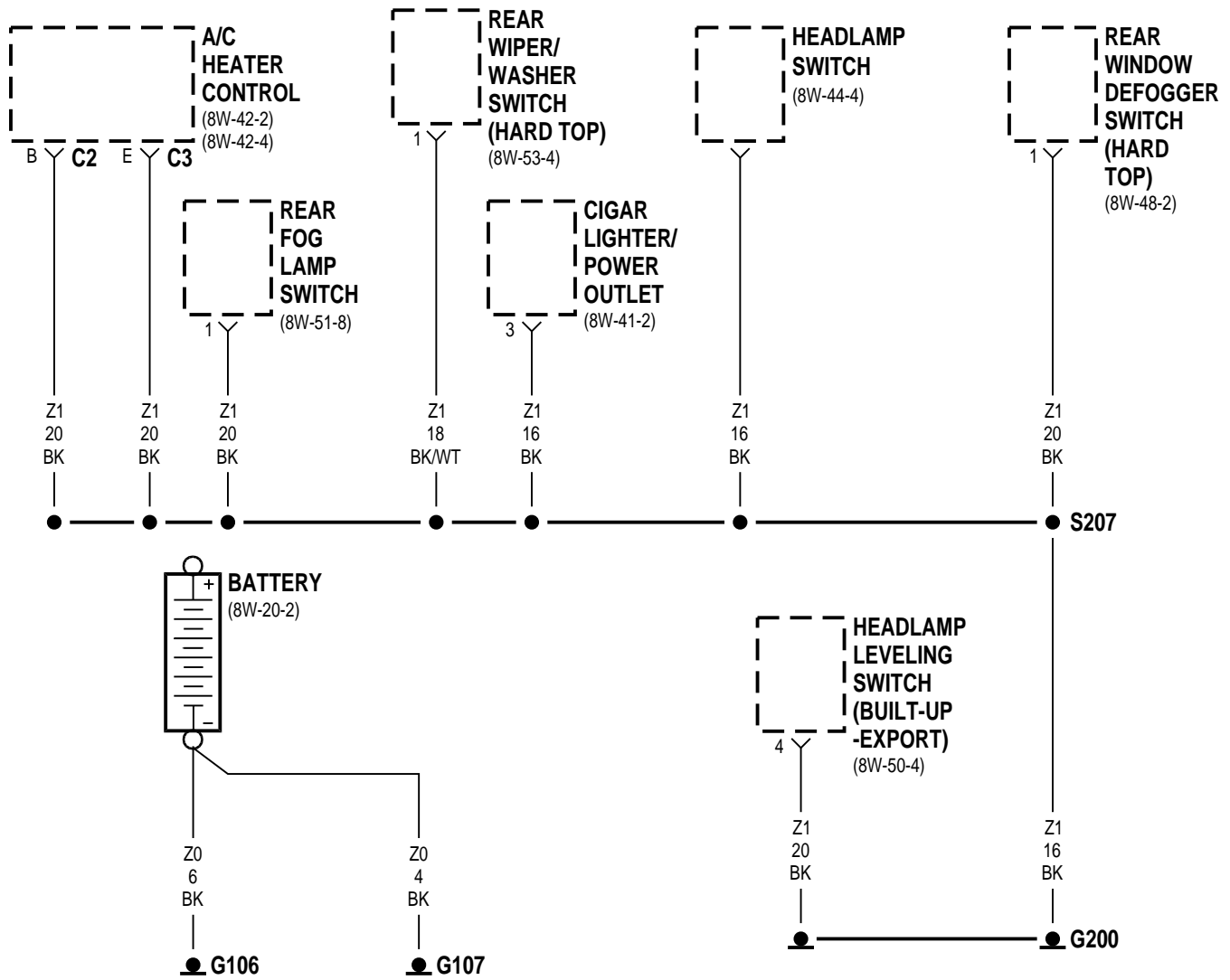


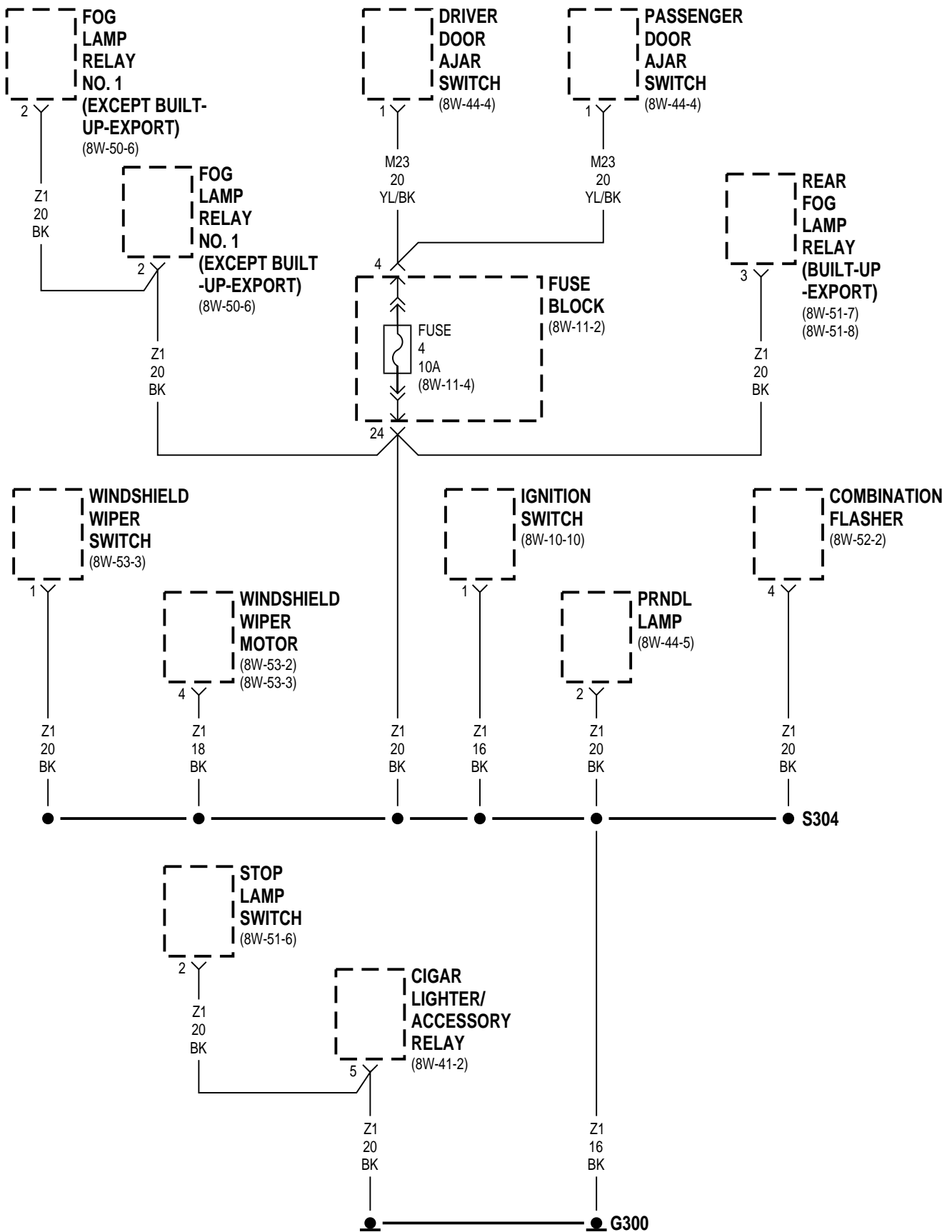


TJ **8W-15 GROUND DISTRIBUTION** **8W - 15 - 5**
LHD

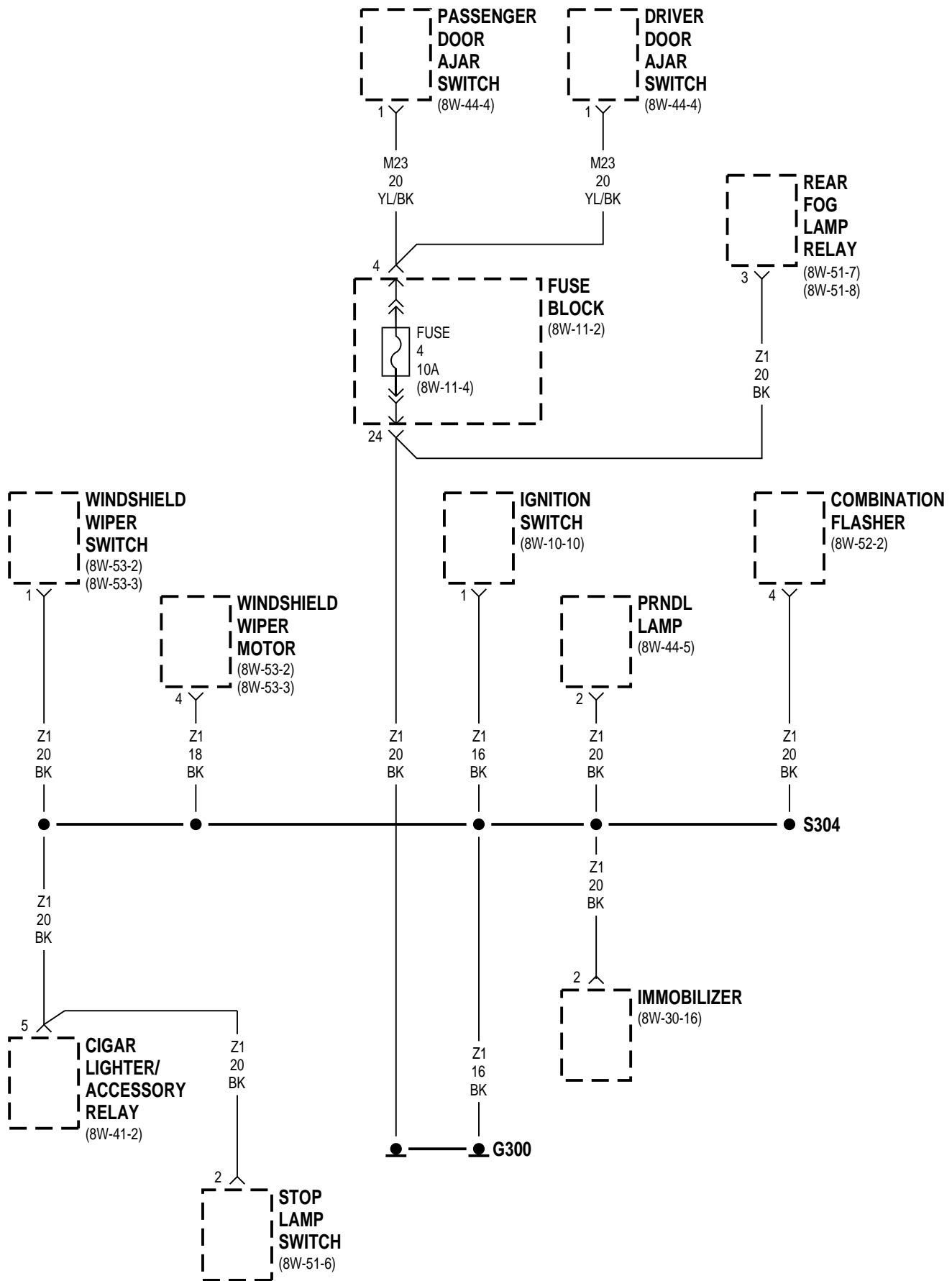


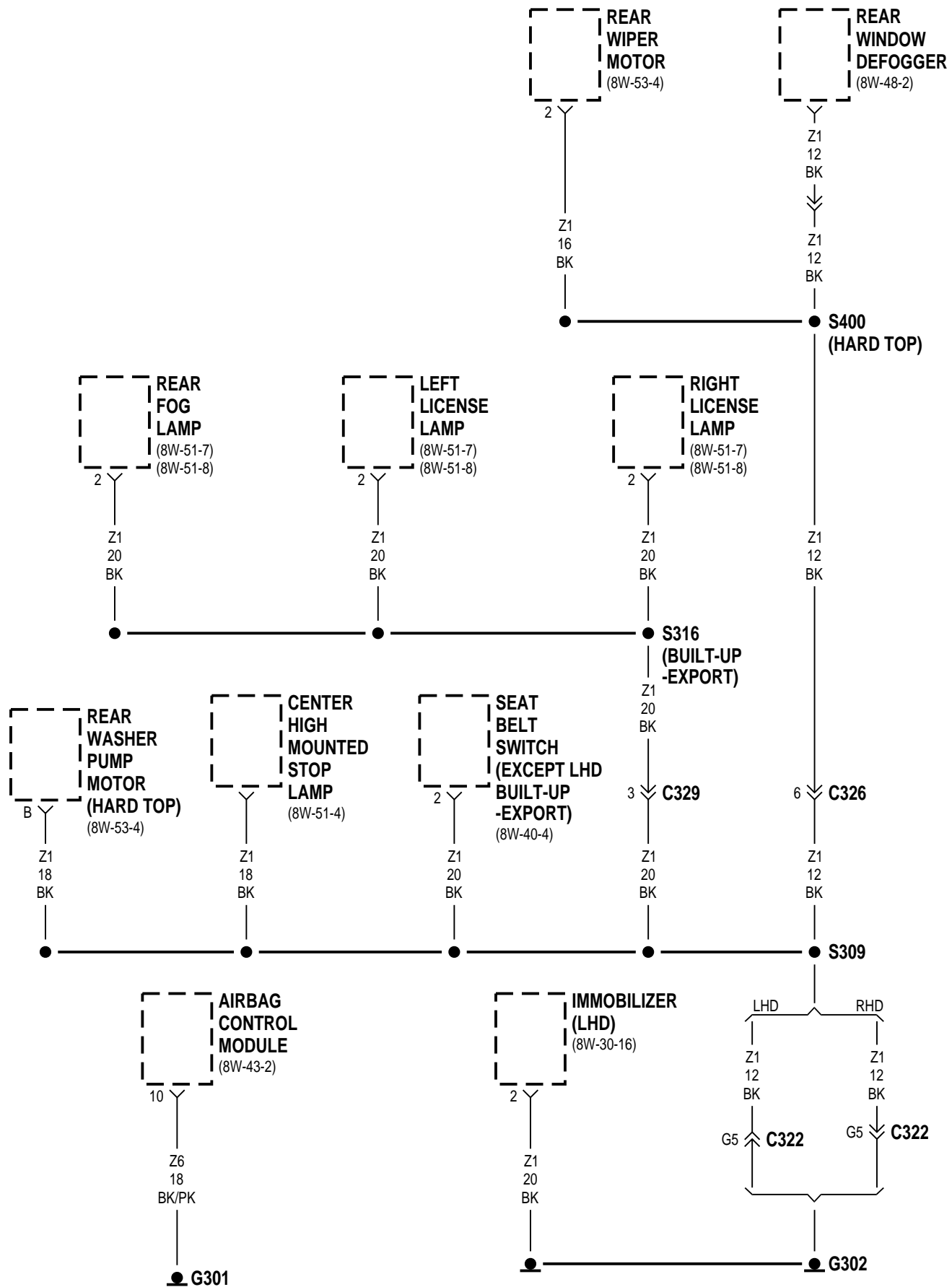
RHD

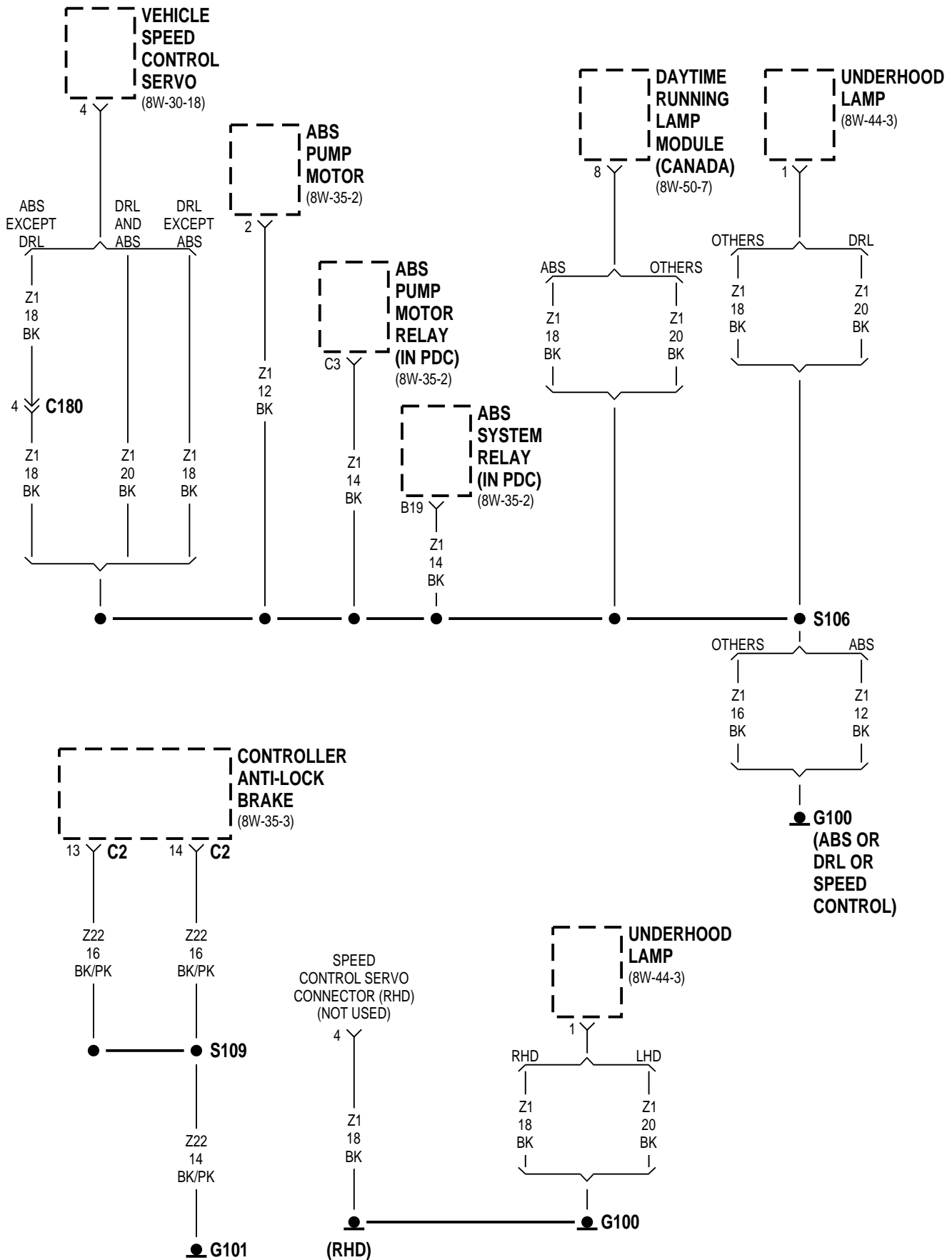


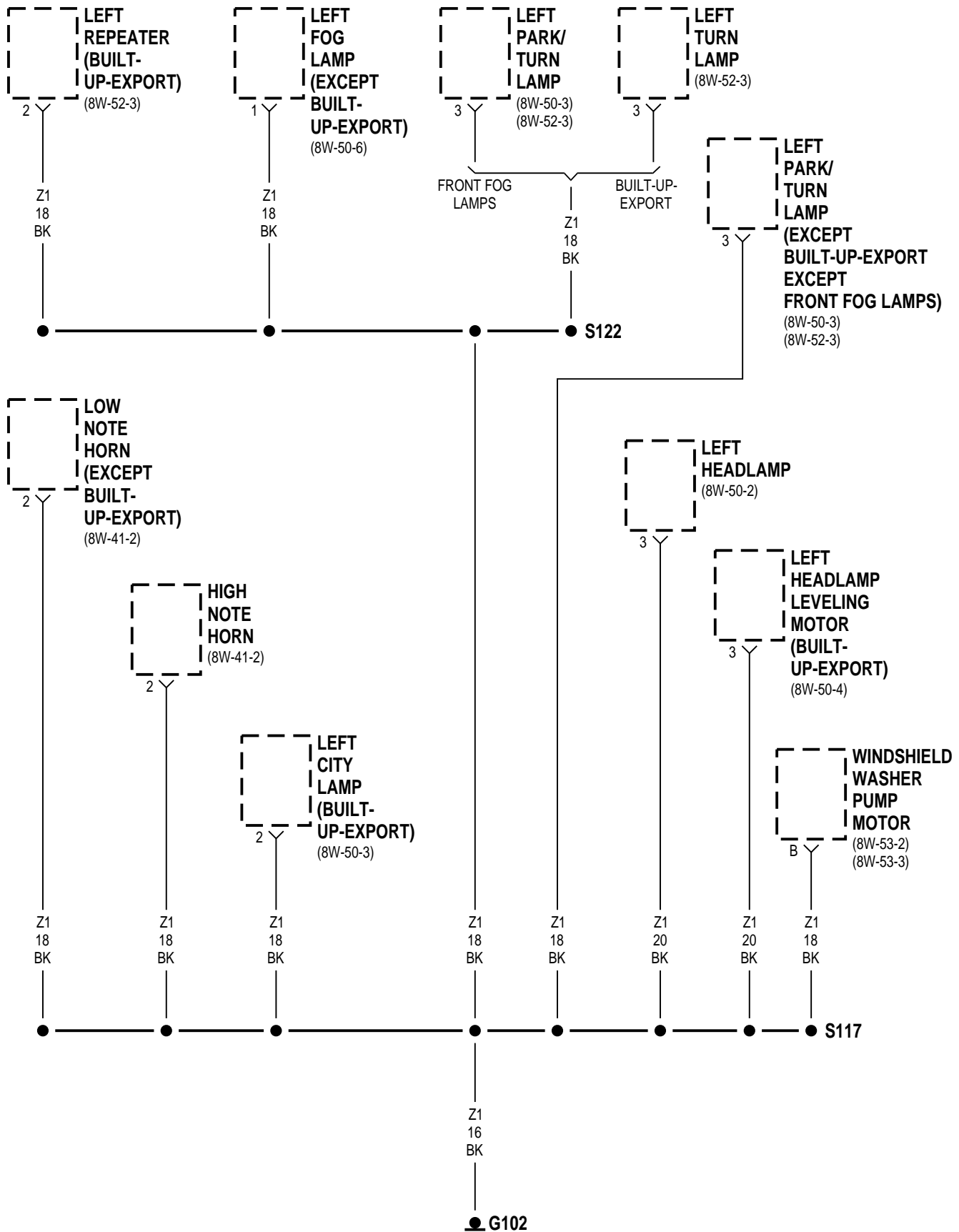


RHD



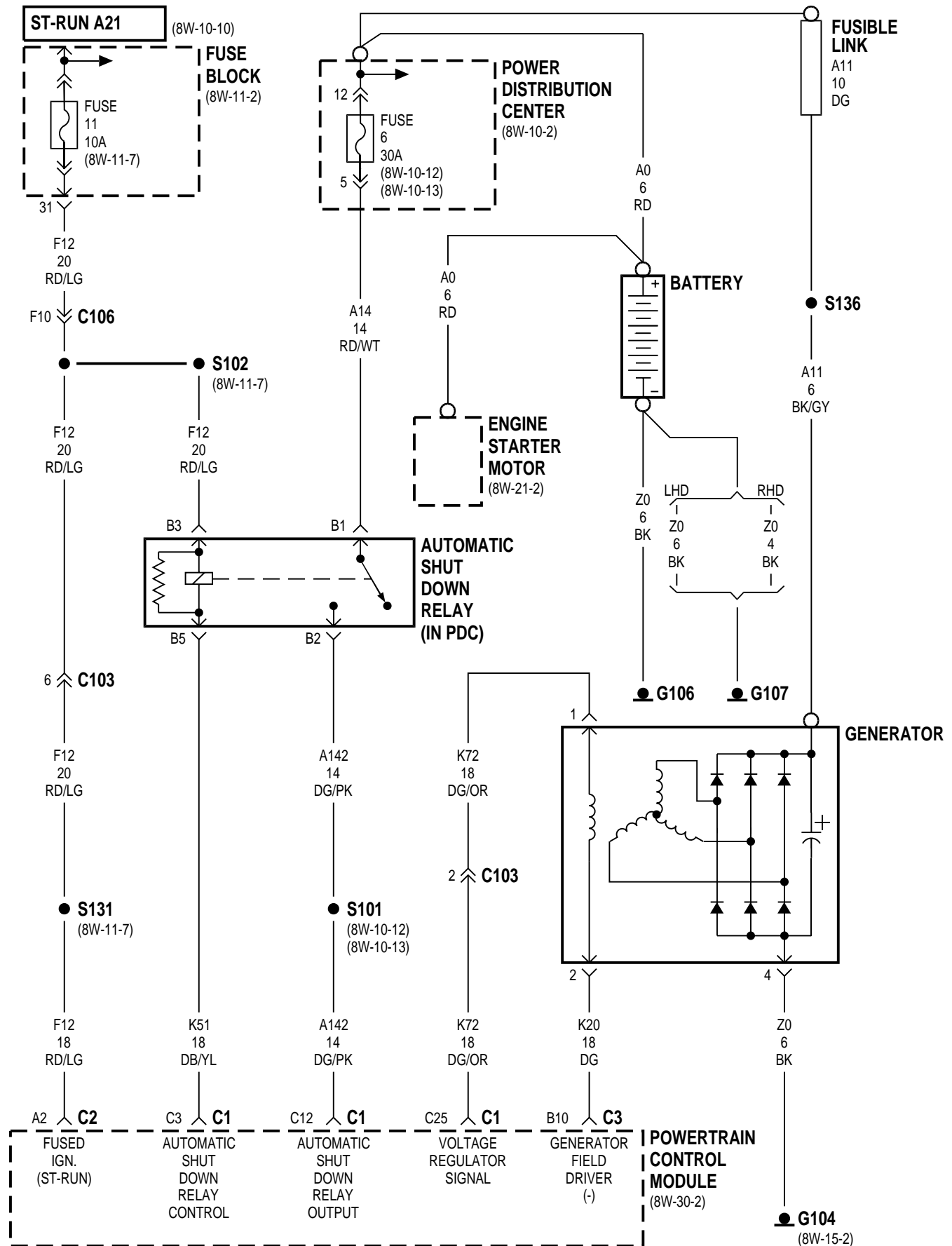






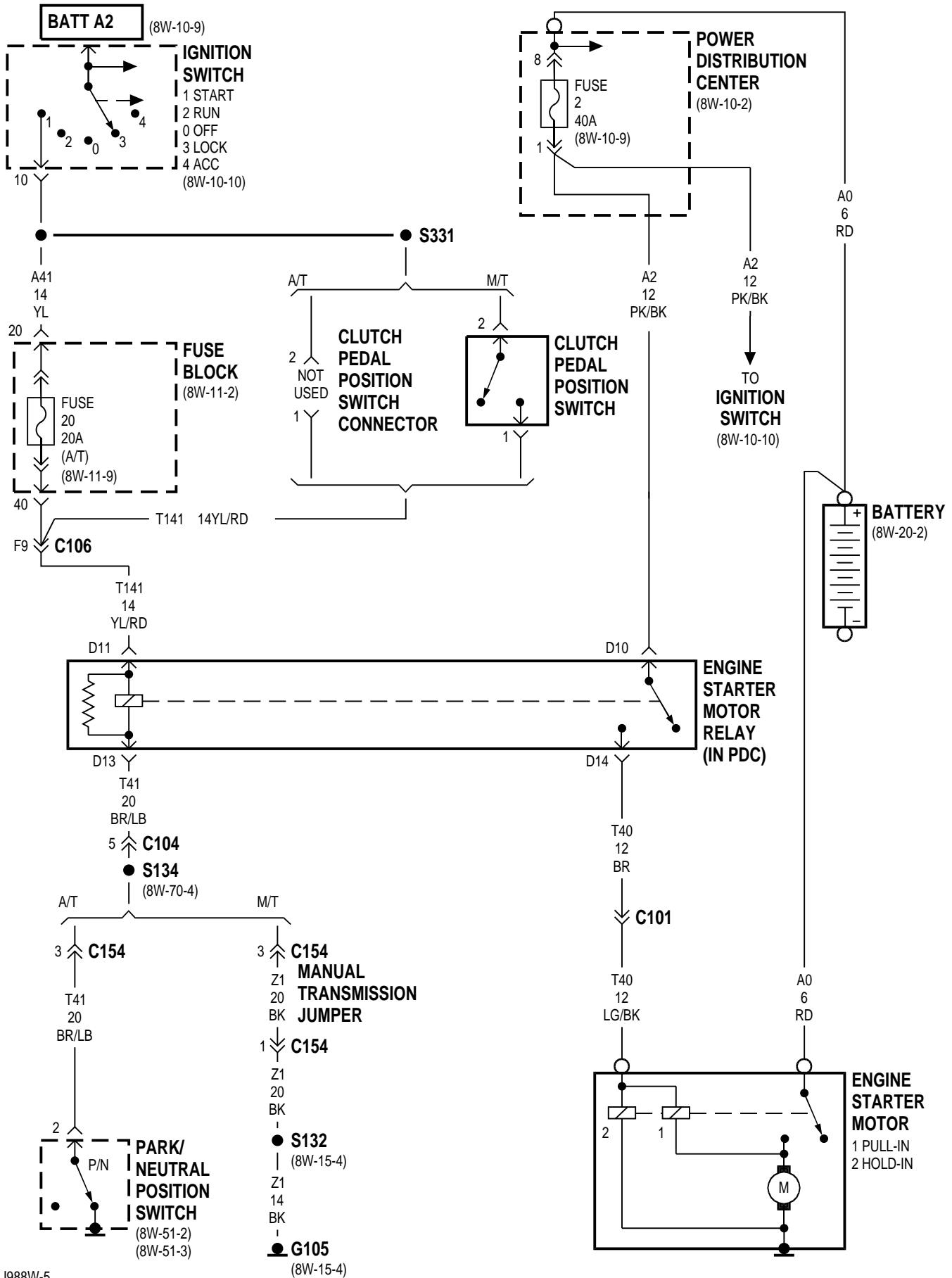
8W-20 CHARGING SYSTEM

Component	Page	Component	Page
Automatic Shut Down Relay	8W-20-2	G104	8W-20-2
Battery	8W-20-2	G106	8W-20-2
Engine Starter Motor	8W-20-2	G107	8W-20-2
Fuse 11 (FB)	8W-20-2	Generator	8W-20-2
Fuse 6 (PDC)	8W-20-2	Power Distribution Center	8W-20-2
Fuse Block	8W-20-2	Powertrain Control Module	8W-20-2
Fusible Link	8W-20-2		



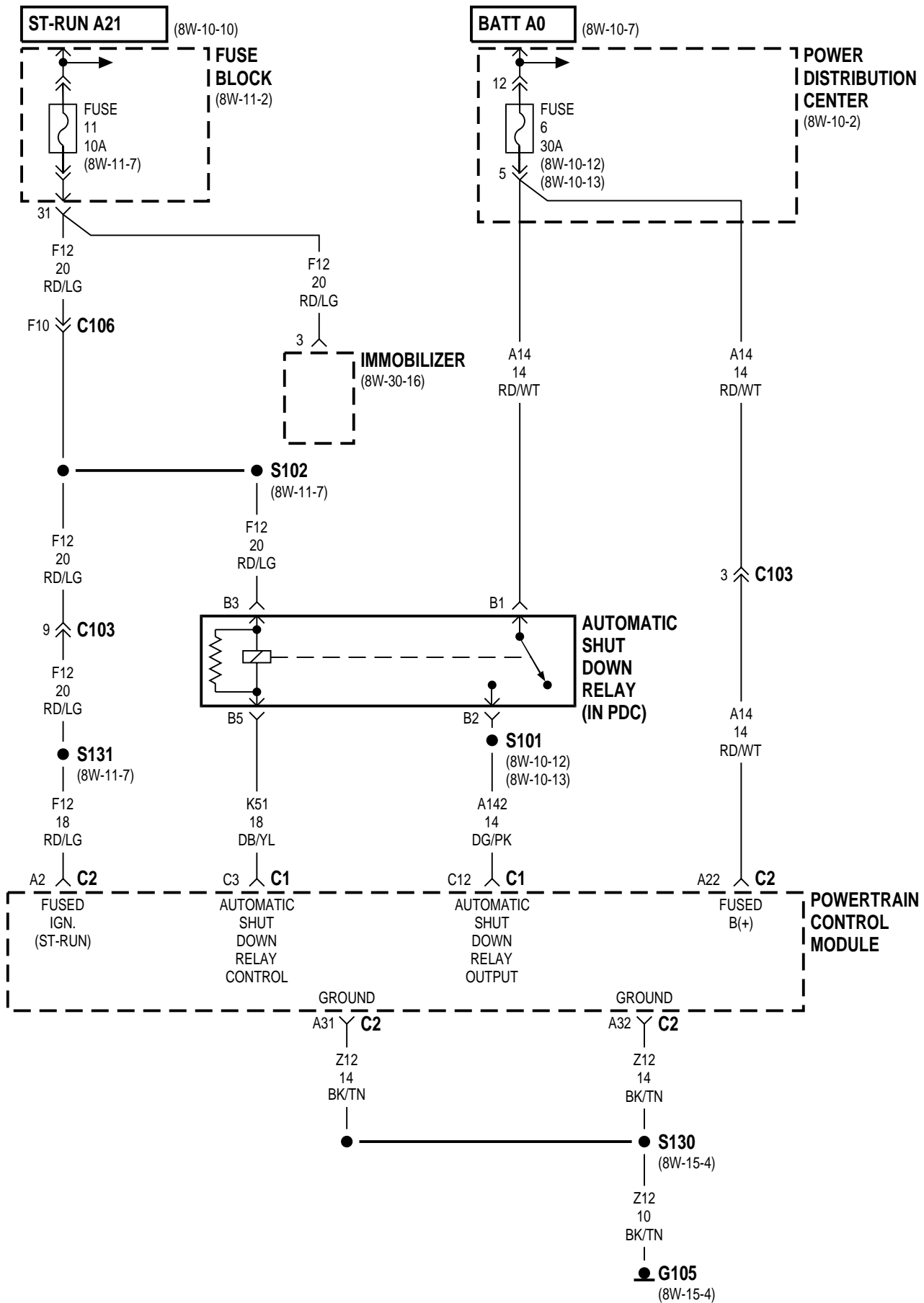
8W-21 STARTING SYSTEM

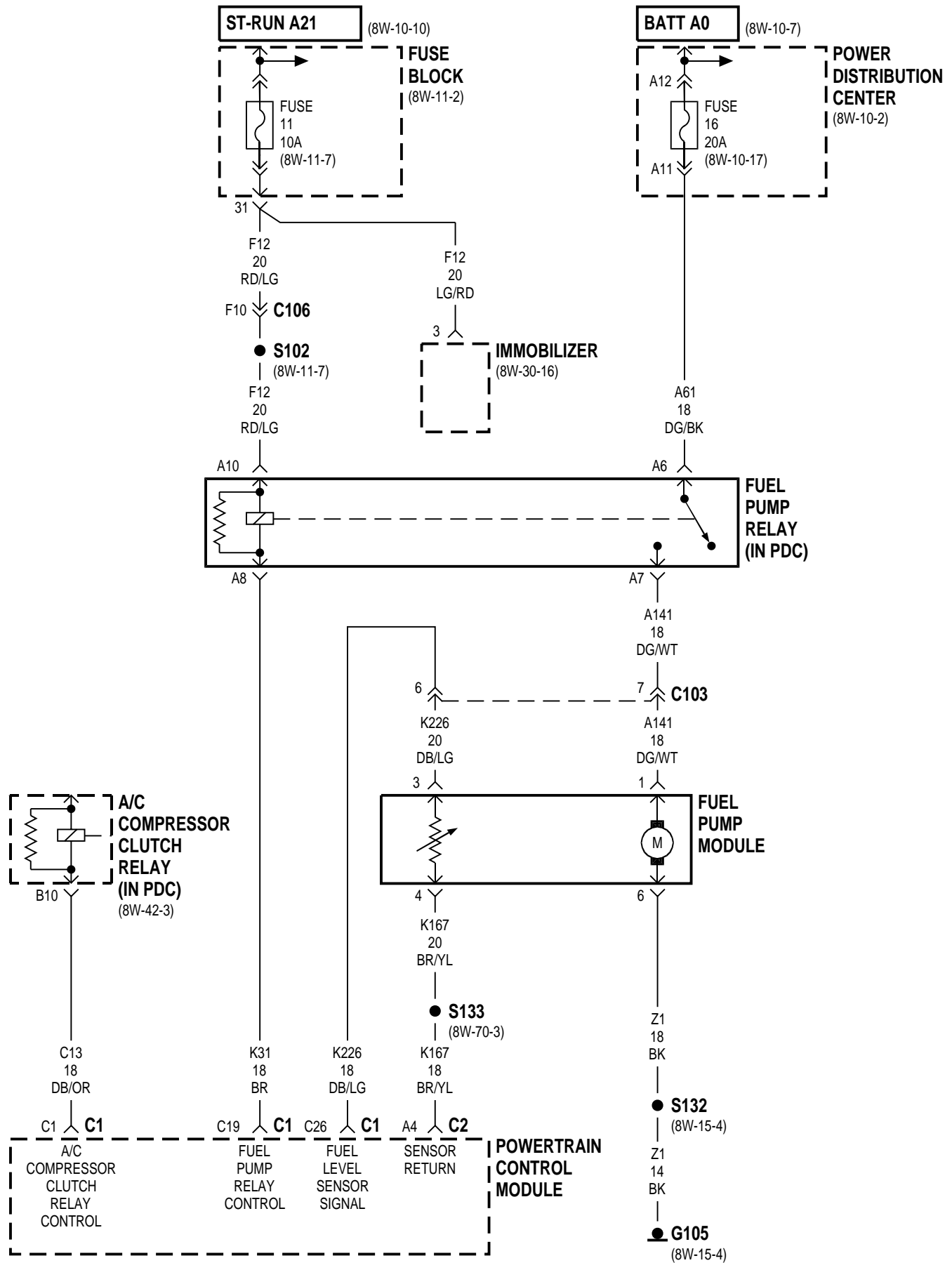
Component	Page	Component	Page
Battery	8W-21-2	Fuse Block.	8W-21-2
Clutch Pedal Position Switch	8W-21-2	G105	8W-21-2
Clutch Pedal Position Switch Connector	8W-21-2	Ignition Switch	8W-21-2
Engine Starter Motor	8W-21-2	Manual Transmission Jumper	8W-21-2
Engine Starter Motor Relay	8W-21-2	Park/Neutral Position Switch	8W-21-2
Fuse 2 (PDC)	8W-21-2	Power Distribution Center	8W-21-2
Fuse 20 (FB)	8W-21-2		

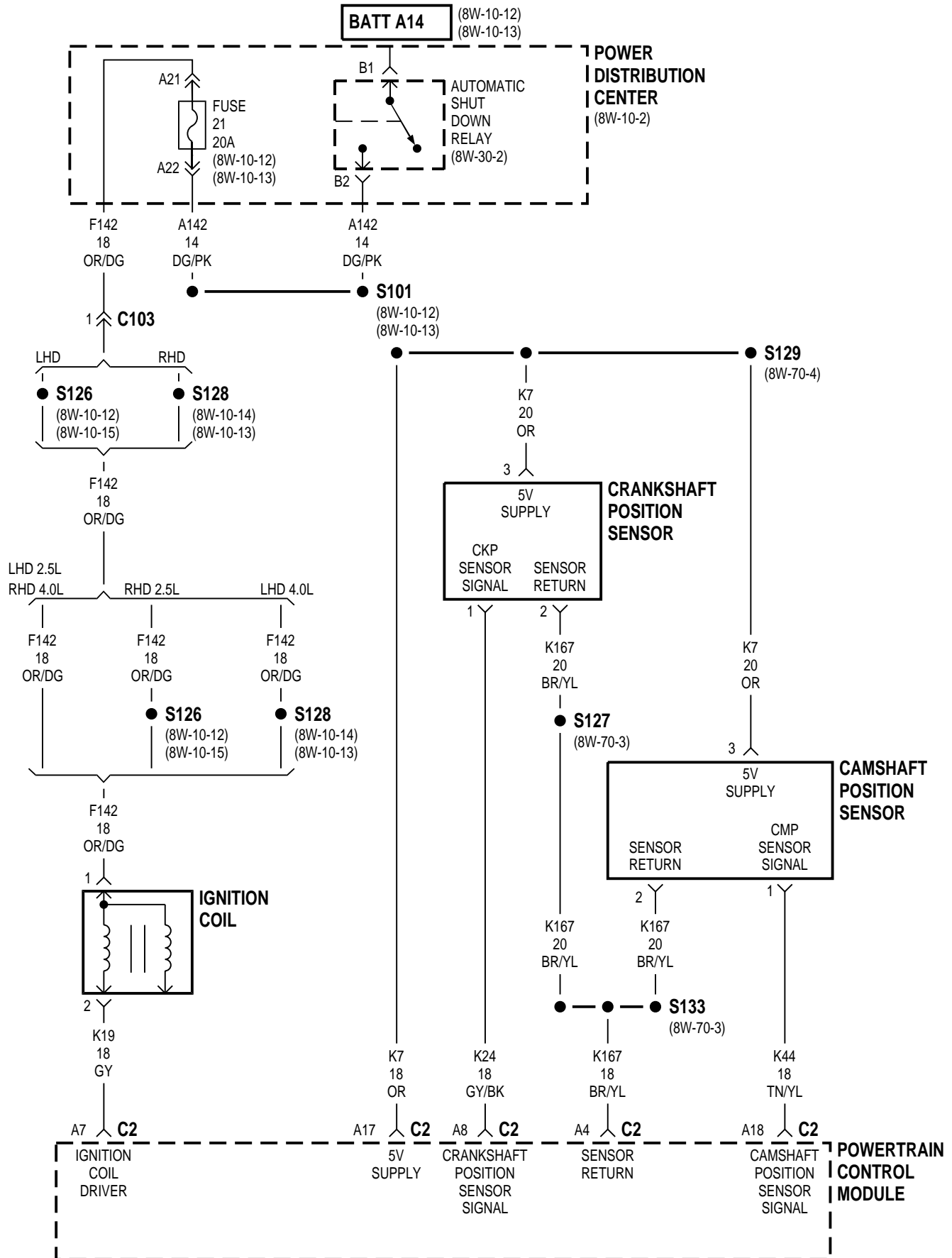


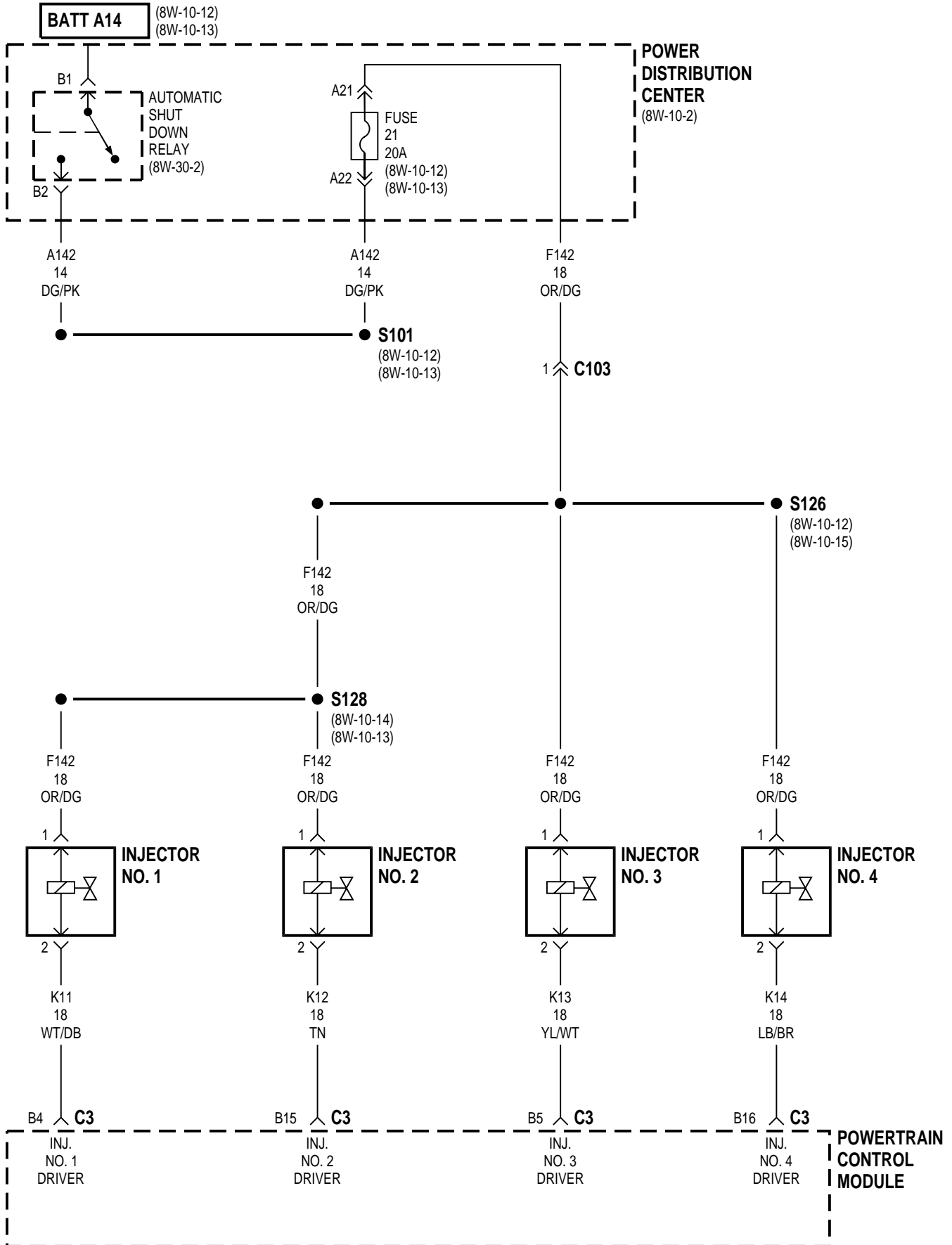
8W-30 FUEL/IGNITION SYSTEMS

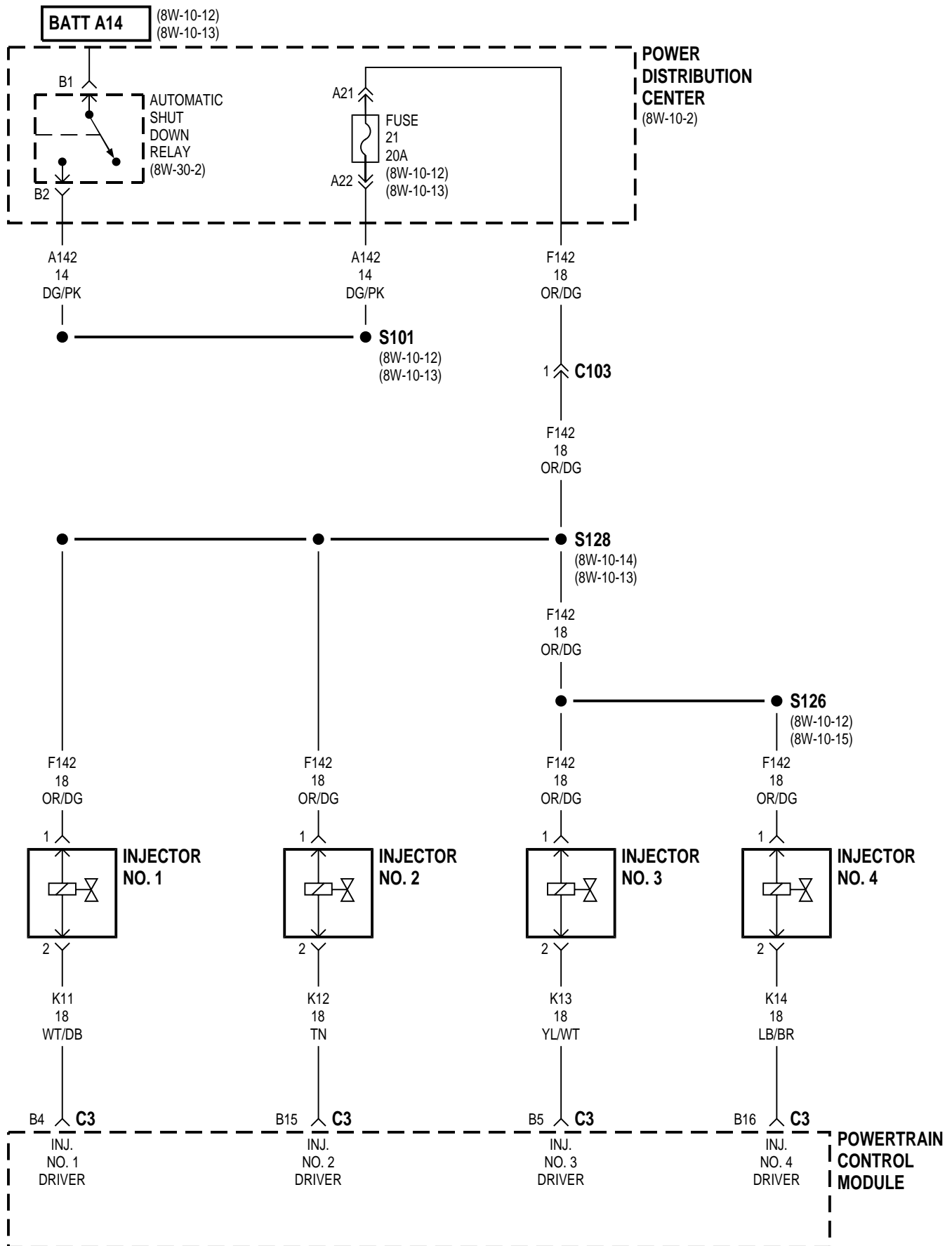
Component	Page	Component	Page
A/C Compressor Clutch Relay	8W-30-3	Generator	8W-30-14
A/C Heater Control	8W-30-14	Headlamp Switch	8W-30-16
A/C High Pressure Switch	8W-30-14	Horn Relay	8W-30-17
A/C Low Pressure Switch	8W-30-14	Horn Switch	8W-30-17
Airbag Control Module	8W-30-16	Idle Air Control Motor	8W-30-13
Automatic Shut Down		Ignition Coil	8W-30-4
Relay	8W-30-2, 4, 5, 6, 7, 8, 10, 11	Immobilizer	8W-30-2, 3, 13, 15, 16
Battery Temperature Sensor	8W-30-12, 17	Injector No. 1	8W-30-5, 6, 7, 8
Brake Shift Interlock Solenoid	8W-30-14, 18	Injector No. 2	8W-30-5, 6, 7, 8
Camshaft Position Sensor	8W-30-4	Injector No. 3	8W-30-5, 6, 7, 8
Cigar Lighter/Accessory Relay	8W-30-14, 18	Injector No. 4	8W-30-5, 6, 7, 8
Clockspring	8W-30-17	Injector No. 5	8W-30-7, 8
Controller Anti-Lock Brake	8W-30-15	Injector No. 6	8W-30-7, 8
Crankshaft Position Sensor	8W-30-4	Instrument Cluster	8W-30-16
Data Link Connector	8W-30-15, 16	Intake Air Temperature Sensor	8W-30-9
Daytime Running Lamp Module	8W-30-12	Left Speed Control Switch Pod	8W-30-17
Dome Lamp And Sound Bar Dome Lamp	8W-30-15	Manifold Absolute Pressure Sensor	8W-30-9
Downstream Heated Oxygen Sensor	8W-30-10, 11	Manual Transmission Jumper	8W-30-14
Duty Cycle Evap/Purge Solenoid	8W-30-13	Park/Neutral Position Switch	8W-30-14
Engine Coolant Temperature Sensor	8W-30-9	Power Distribution	
Engine Oil Pressure Sensor	8W-30-9	Center	8W-30-2, 3, 4, 5, 6, 7, 8, 10, 11, 15, 17
Evap Leak Detection Pump	8W-30-13	Power Steering Pressure Switch	8W-30-14
Fuel Pump Module	8W-30-3	Powertrain Contro	
Fuel Pump Relay	8W-30-3	Module	8W-30-2, 3, 4, 5, 6, 7, 8, 9, 10, 11, 12, 13, 14, 15, 16, 17, 18
Fuse 1 (FB)	8W-30-16	Right Speed Control Switch Pod	8W-30-17
Fuse 6 (PDC)	8W-30-2	Sound Bar Dome Lamp	8W-30-15
Fuse 11 (FB)	8W-30-2, 3, 13, 16	Stop Lamp Switch	8W-30-14, 18
Fuse 16 (PDC)	8W-30-3	Throttle Position Sensor	8W-30-12
Fuse 17 (PDC)	8W-30-15	Torque Converter Clutch Solenoid	8W-30-13
Fuse 21 (PDC)	8W-30-4, 5, 6, 7, 8, 10, 11	Underhood Lamp	8W-30-15
Fuse Block	8W-30-2, 3, 13, 16	Upstream Heated Oxygen Sensor	8W-30-10, 11
G100	8W-30-18	Vehicle Speed Control Servo	8W-30-18
G105	8W-30-2, 3, 10, 11, 14, 15, 16	Vehicle Speed Sensor	8W-30-12
G300	8W-30-14, 16, 18		
G302	8W-30-16		

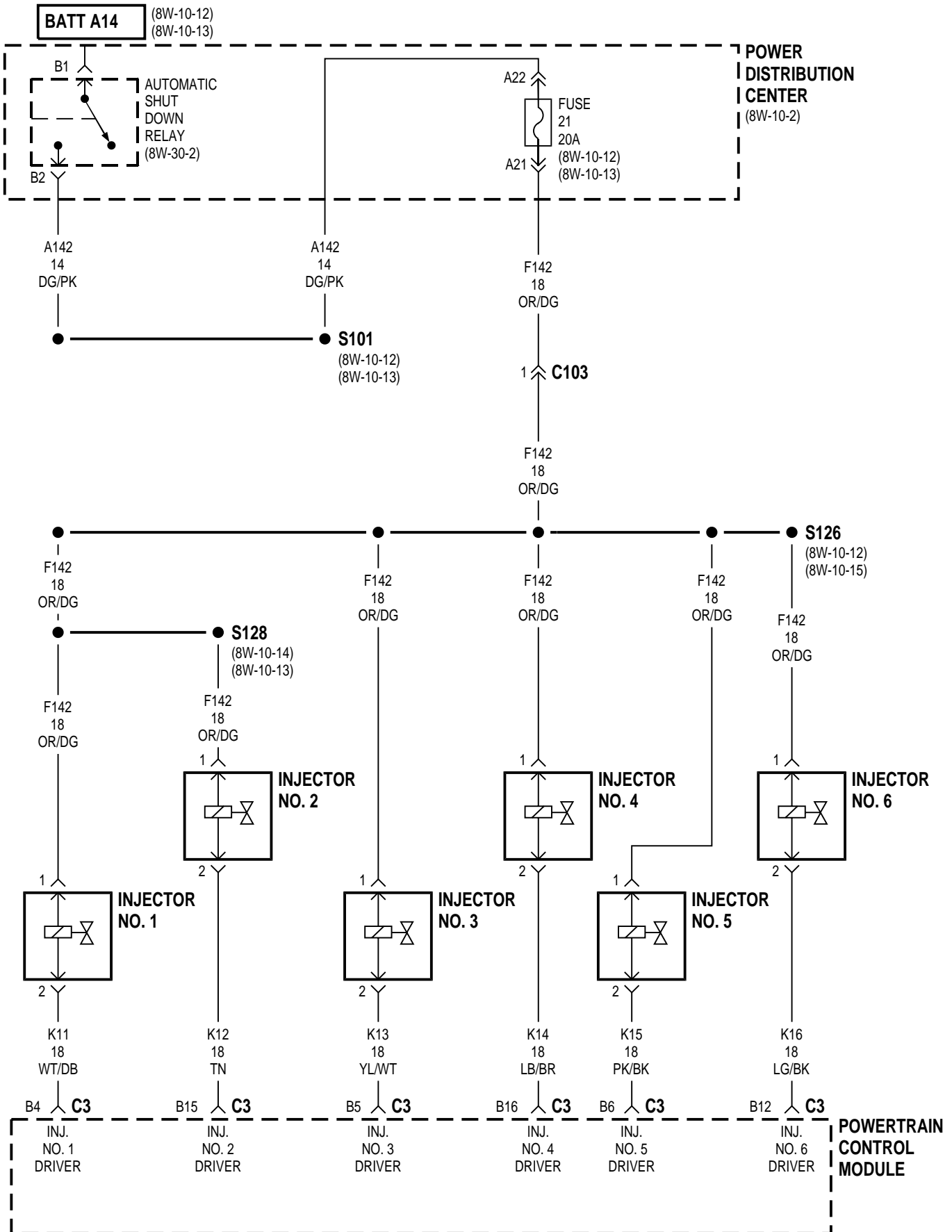


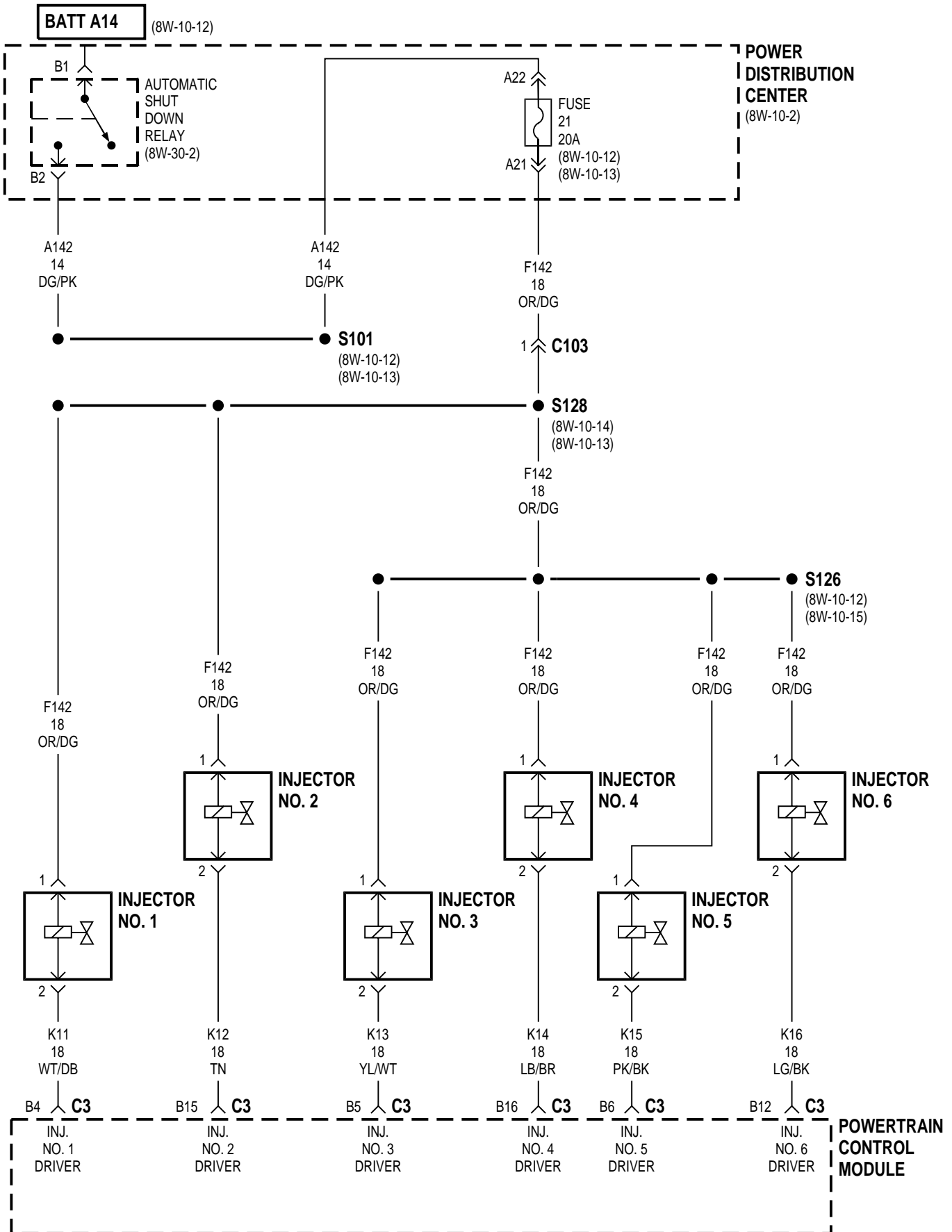


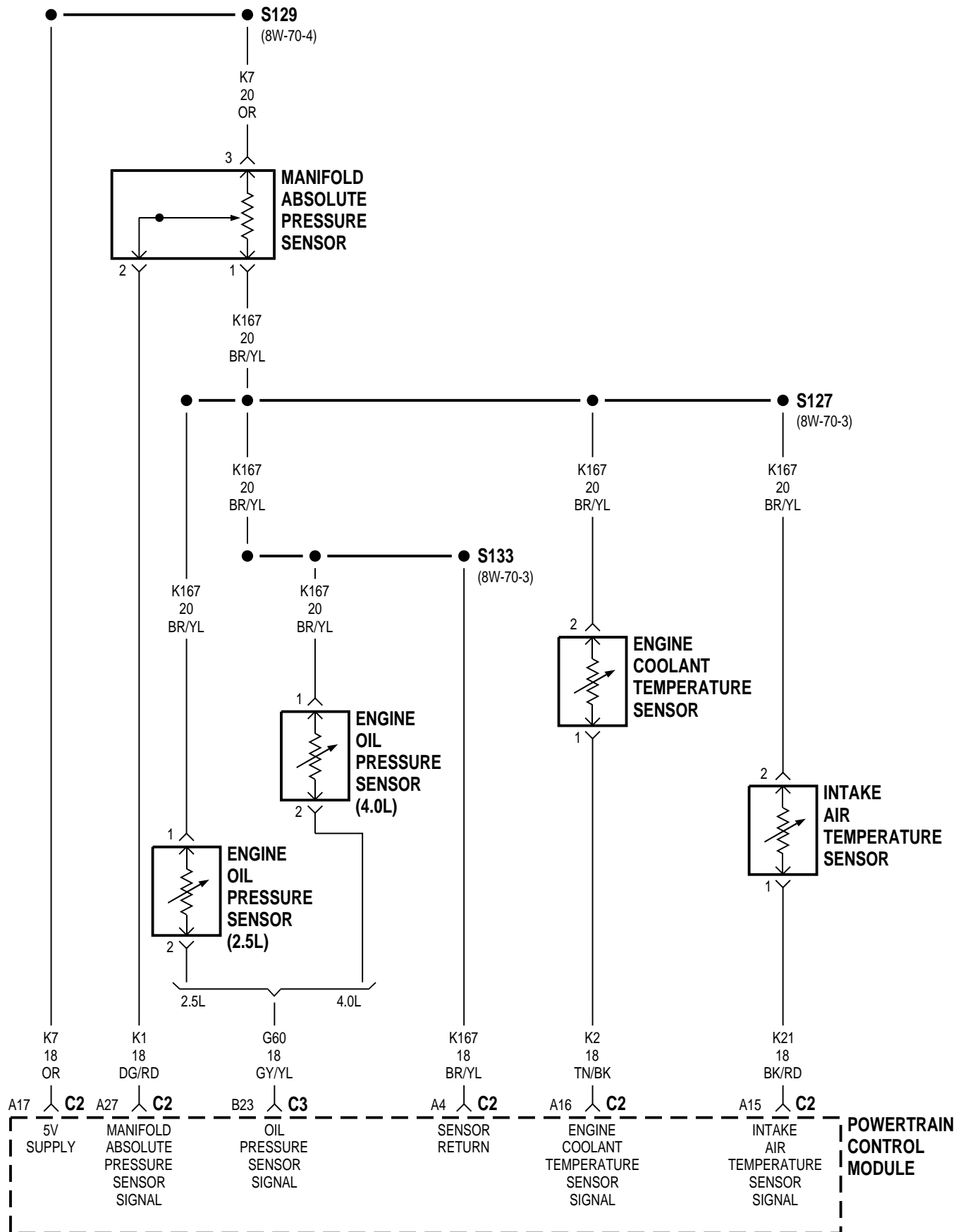


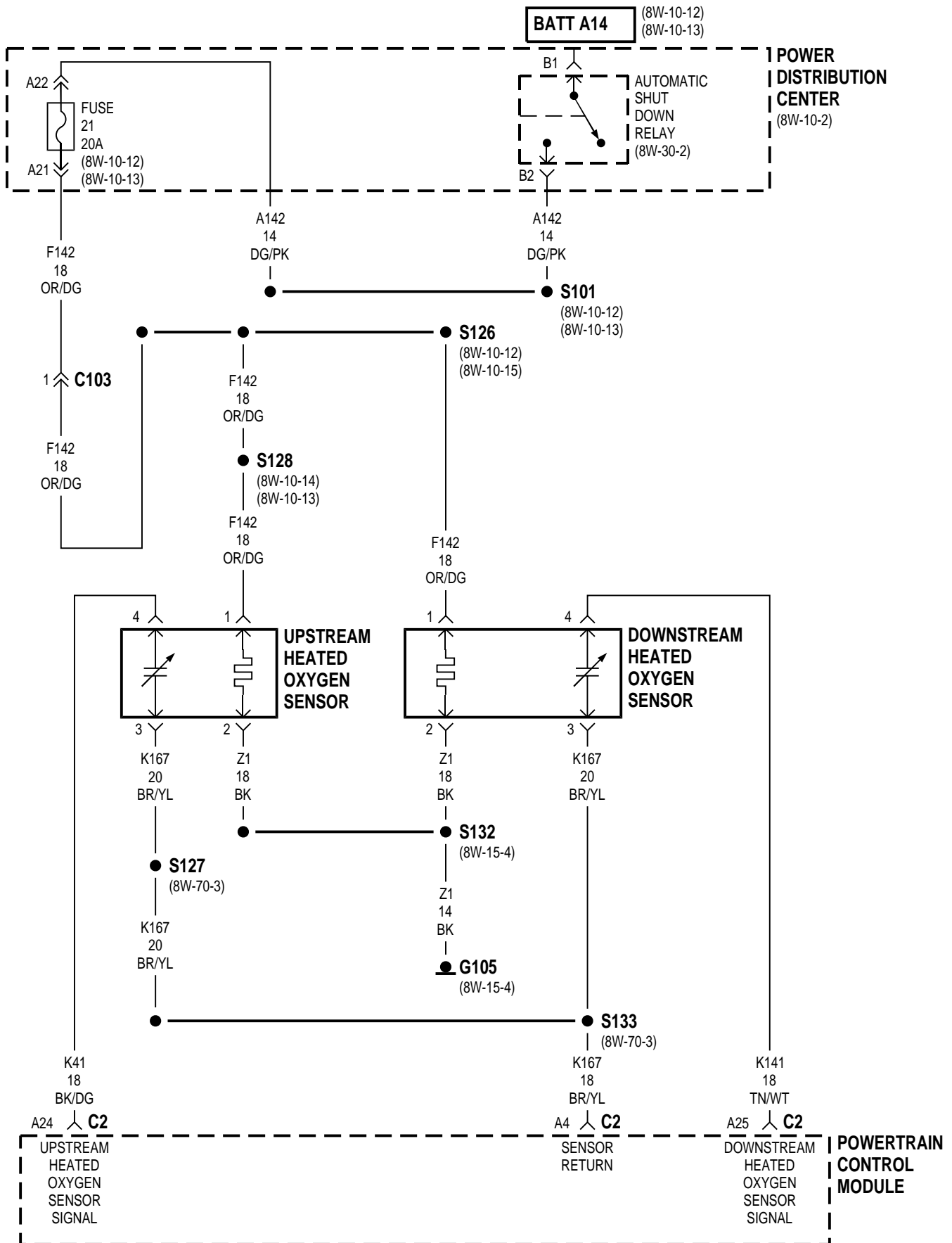


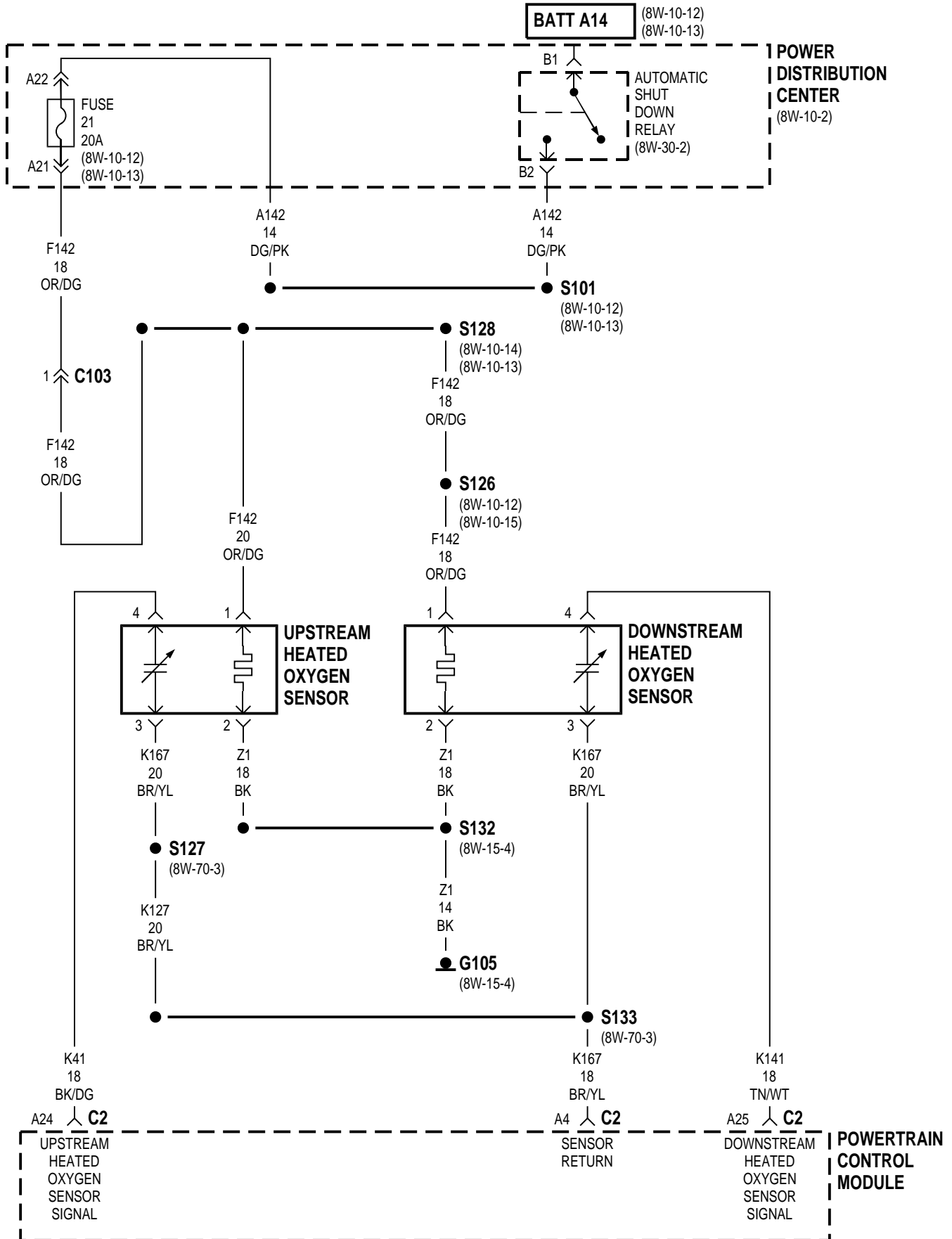


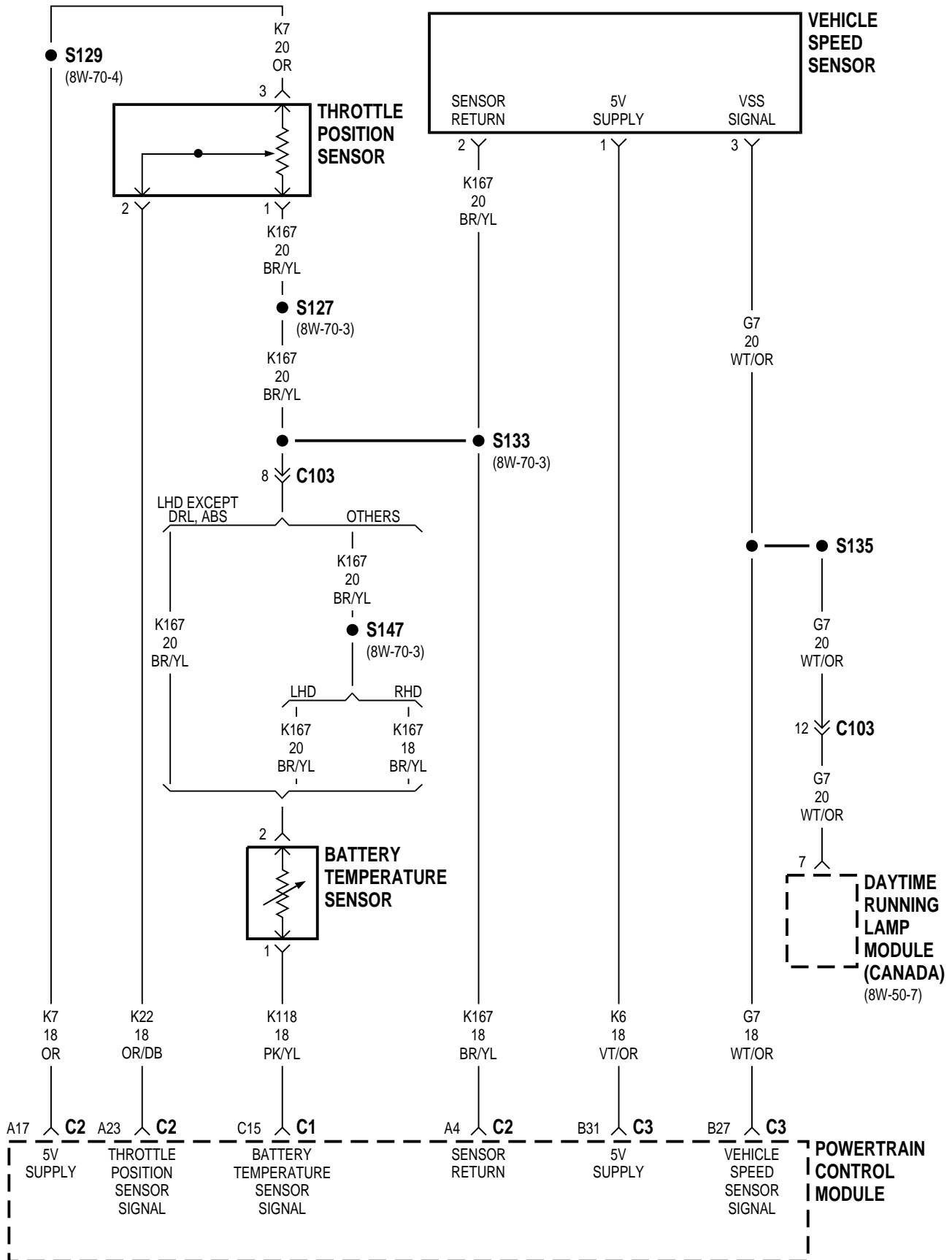


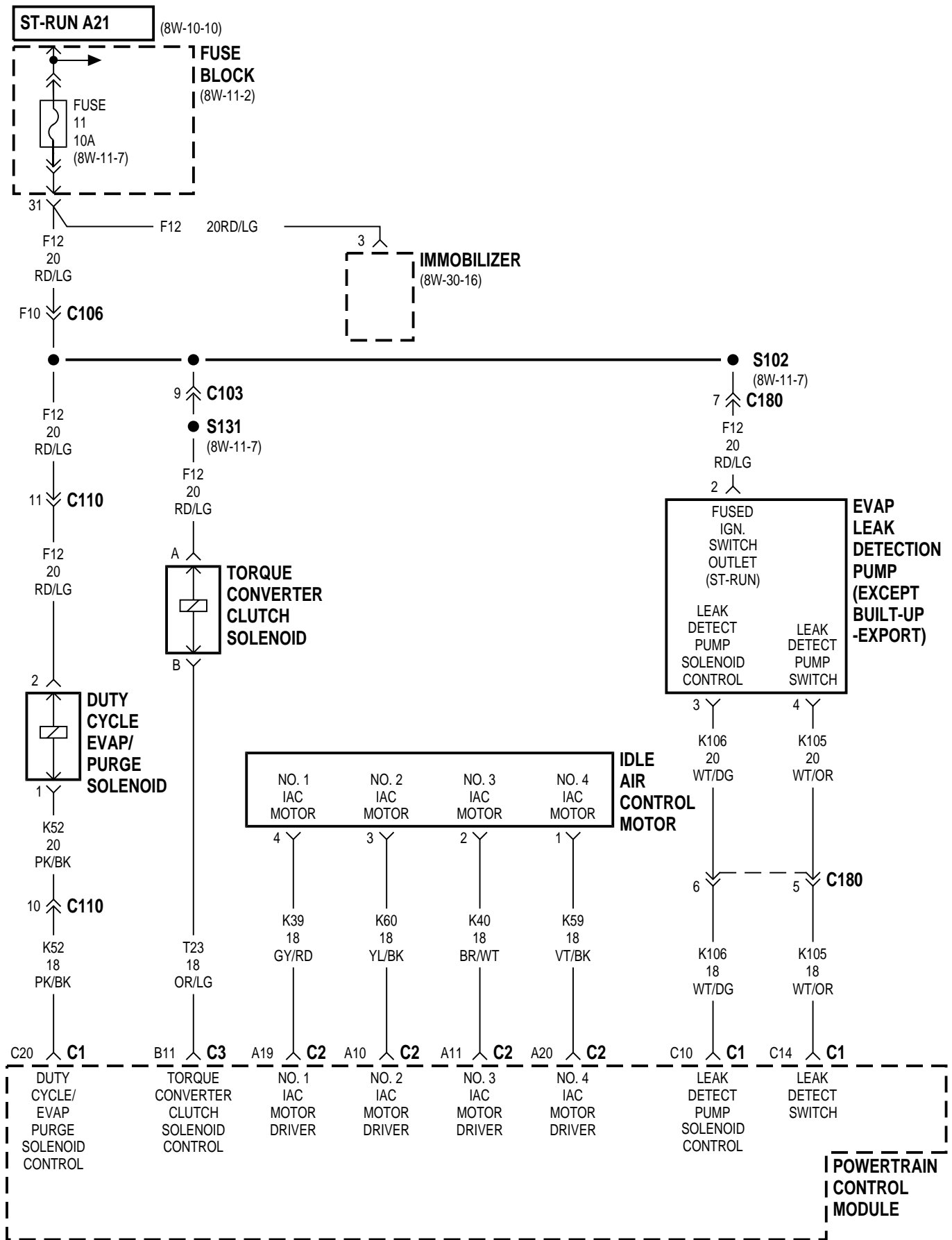


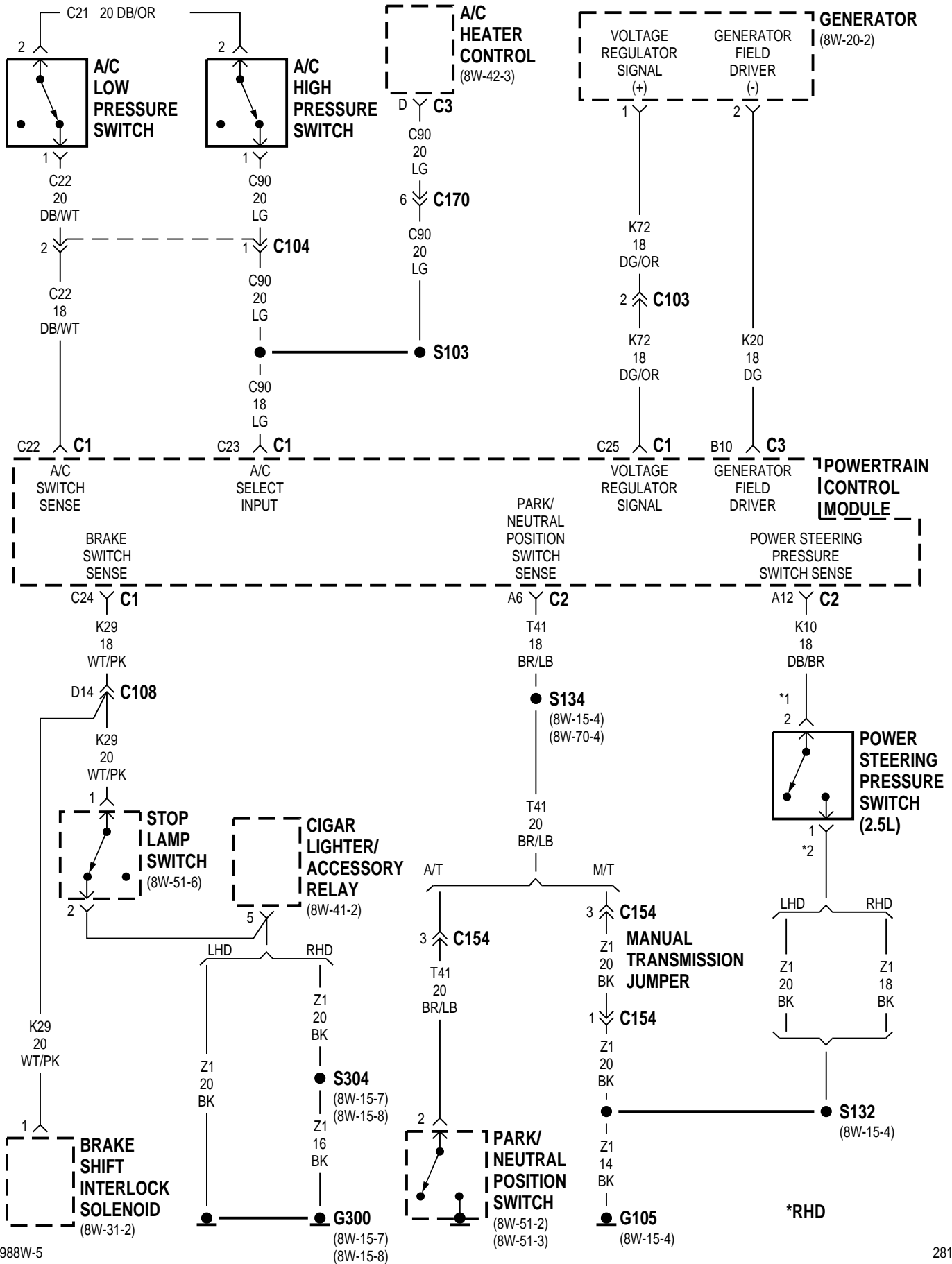


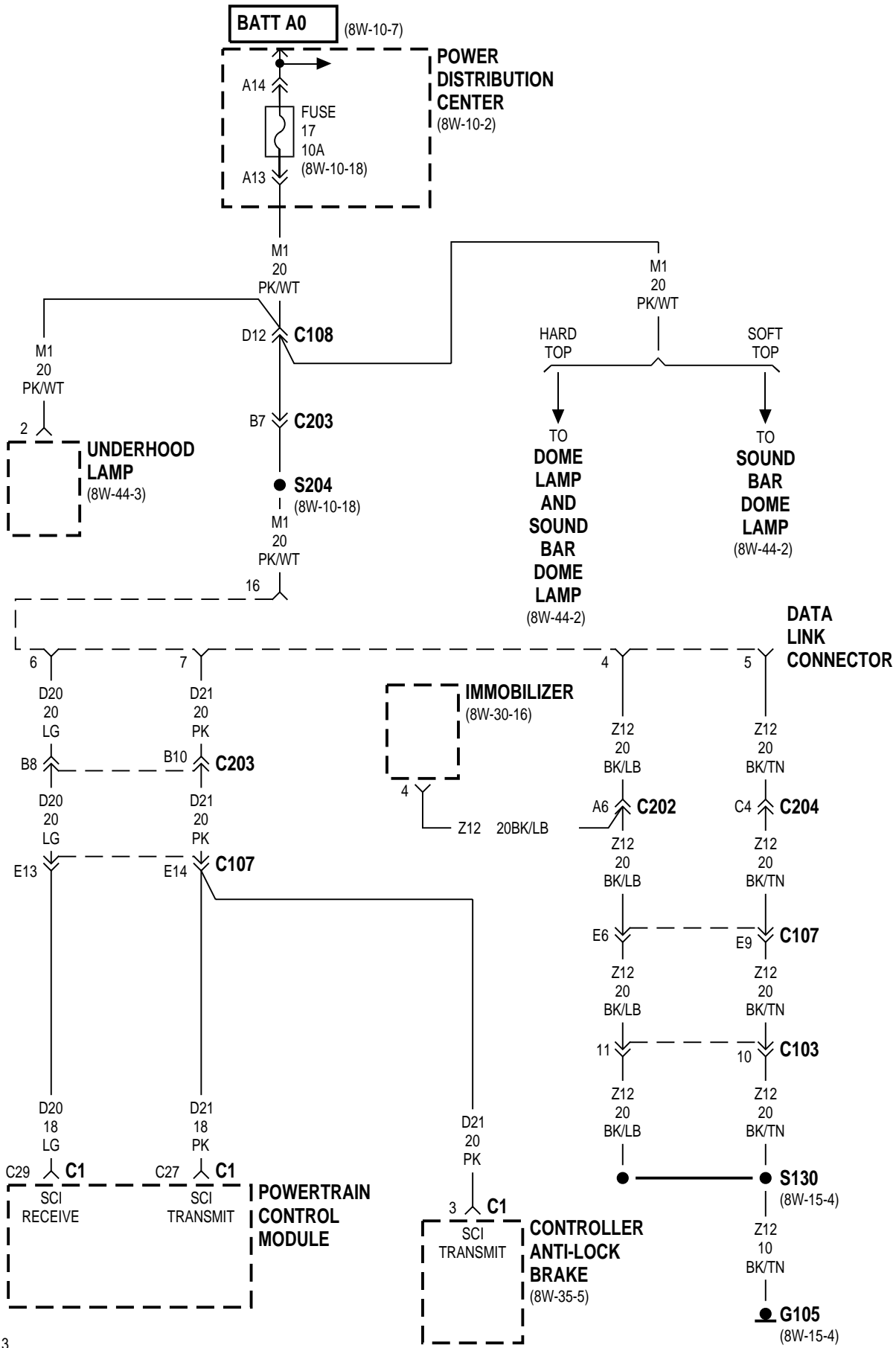


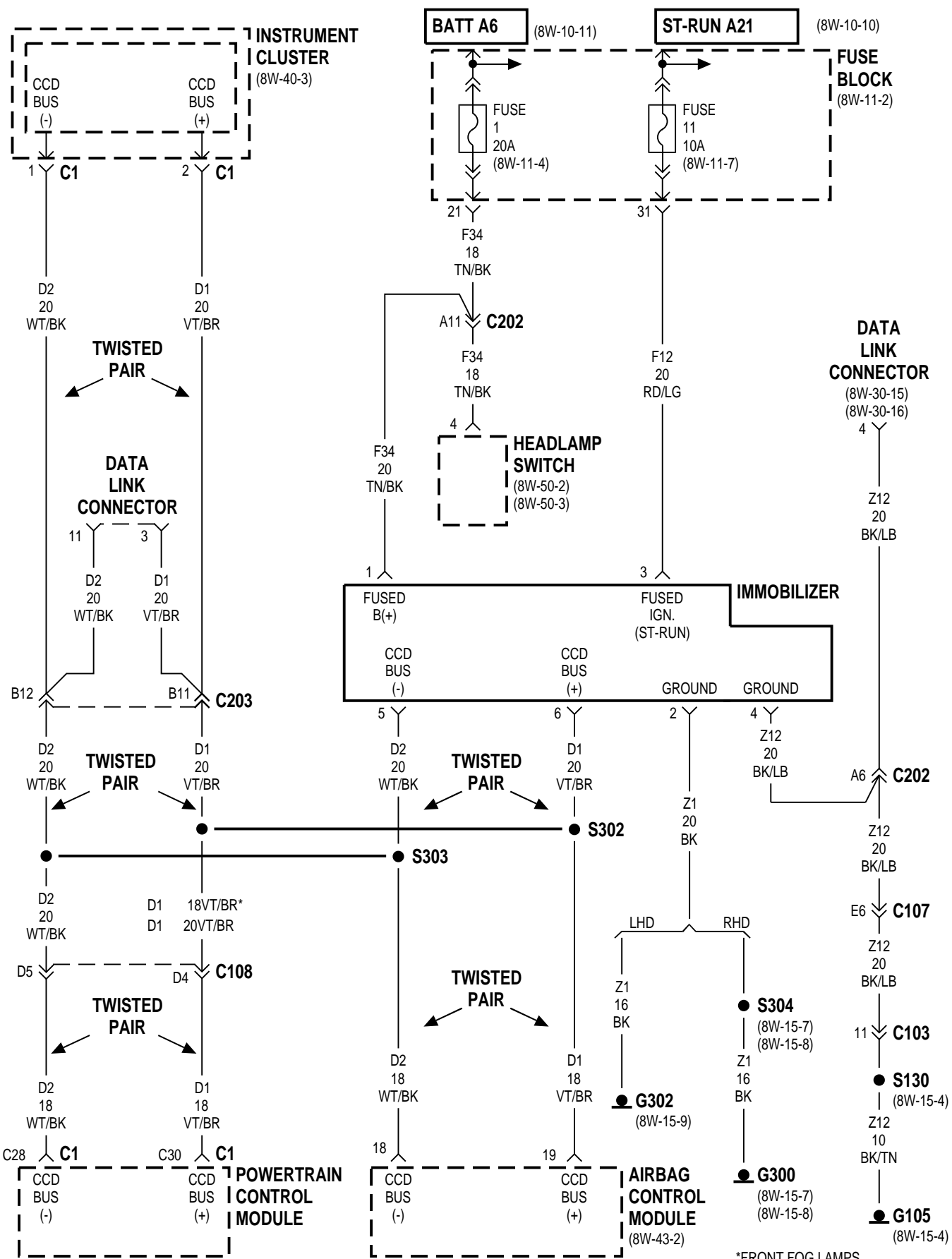




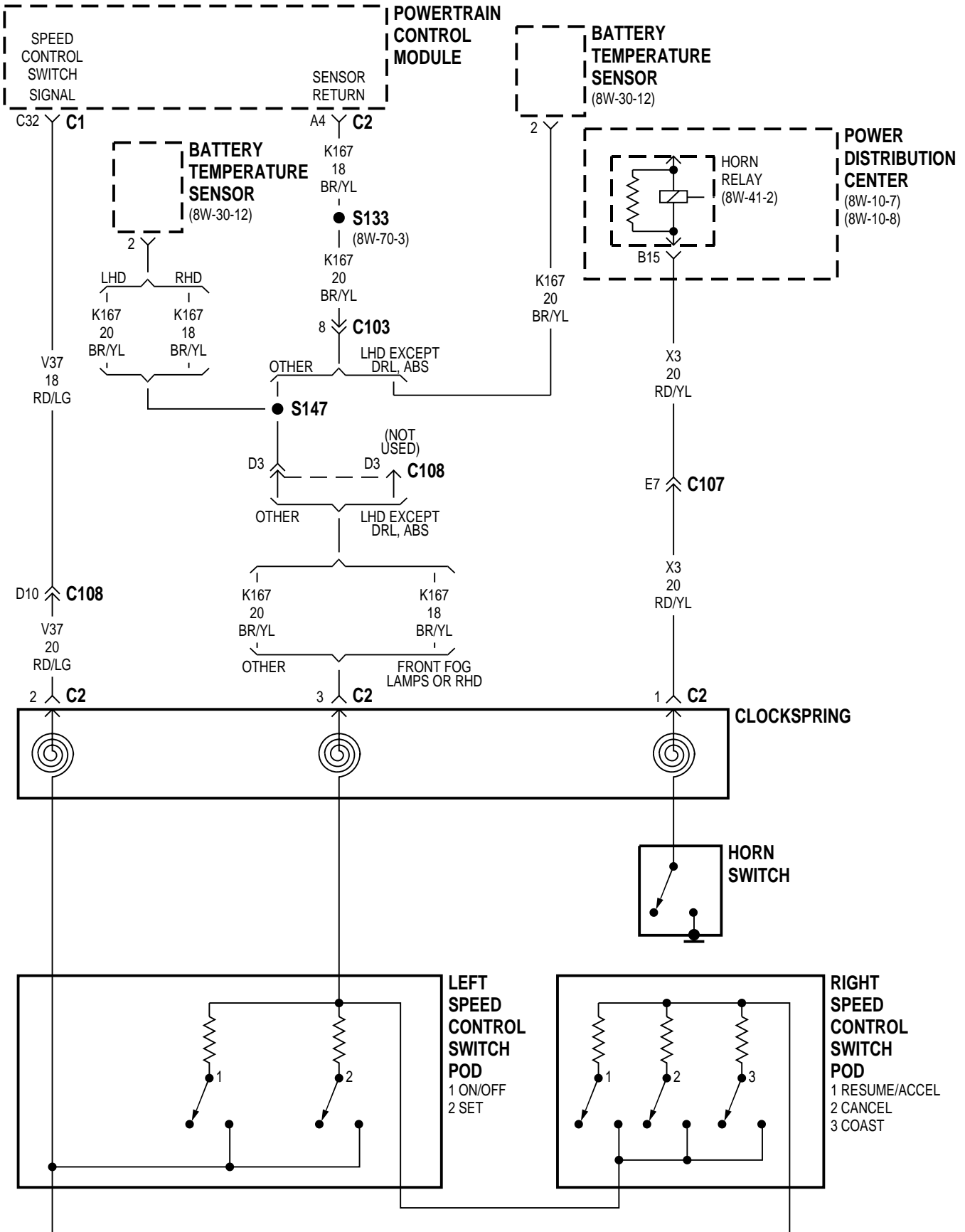


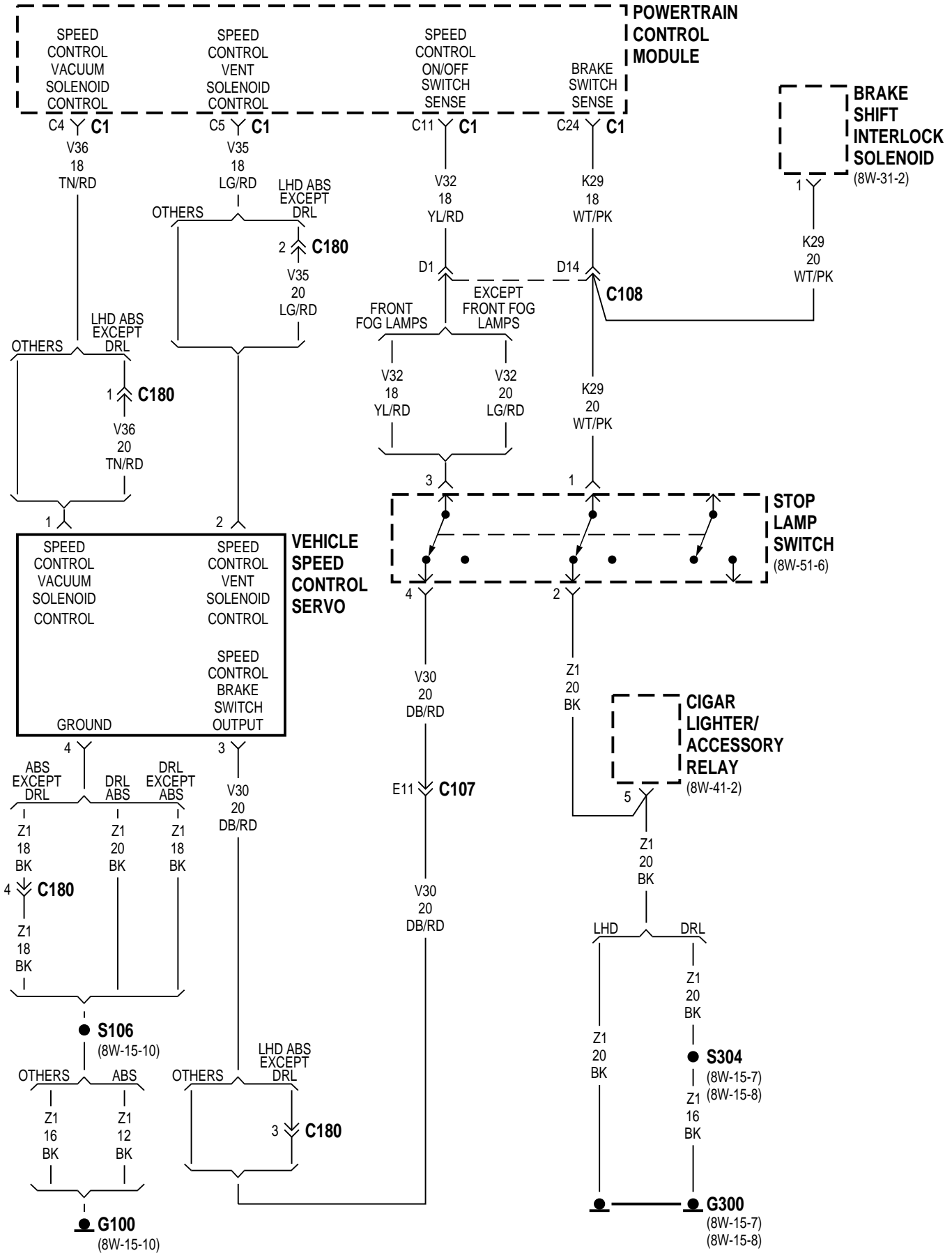






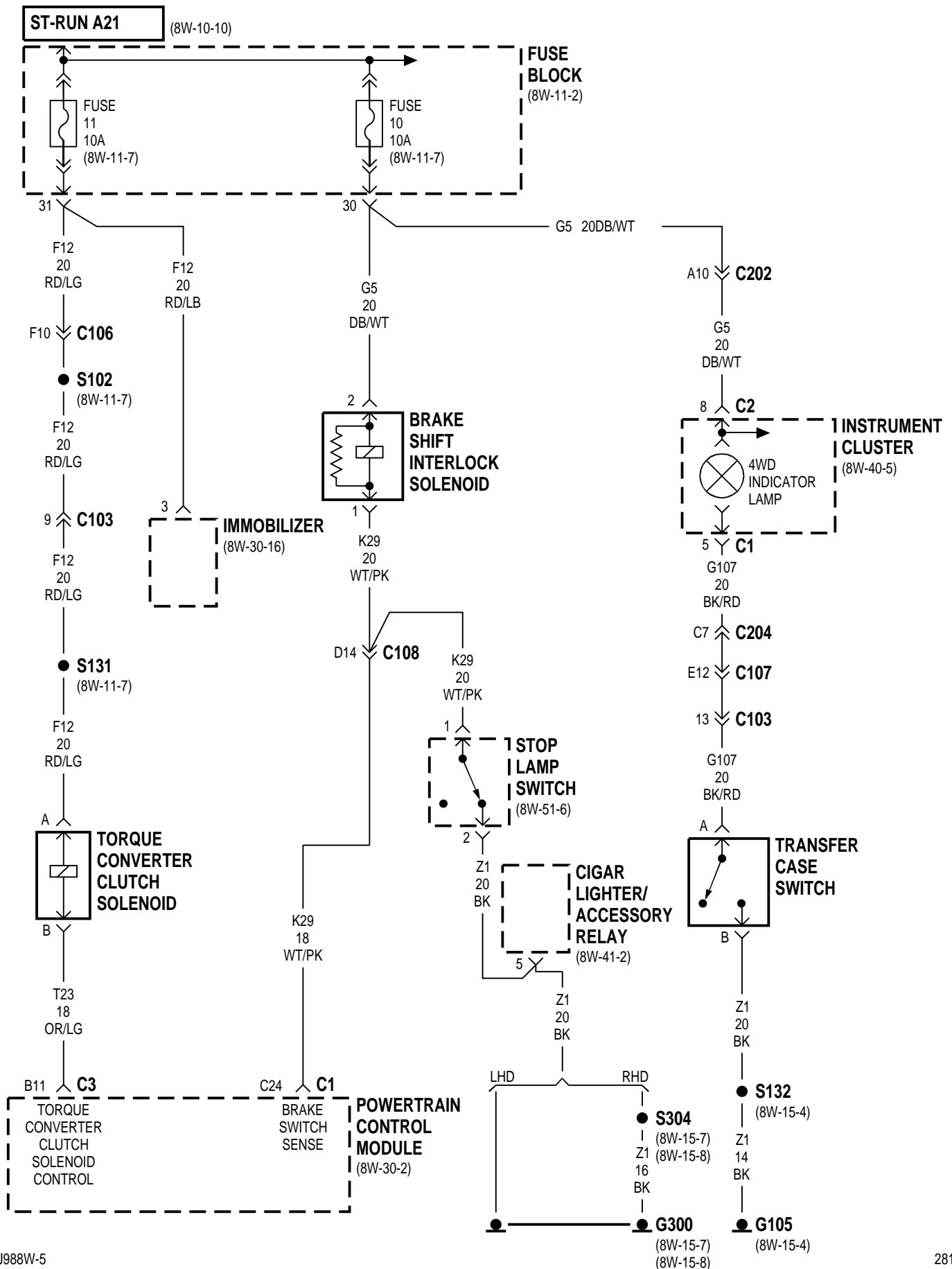
*FRONT FOG LAMPS





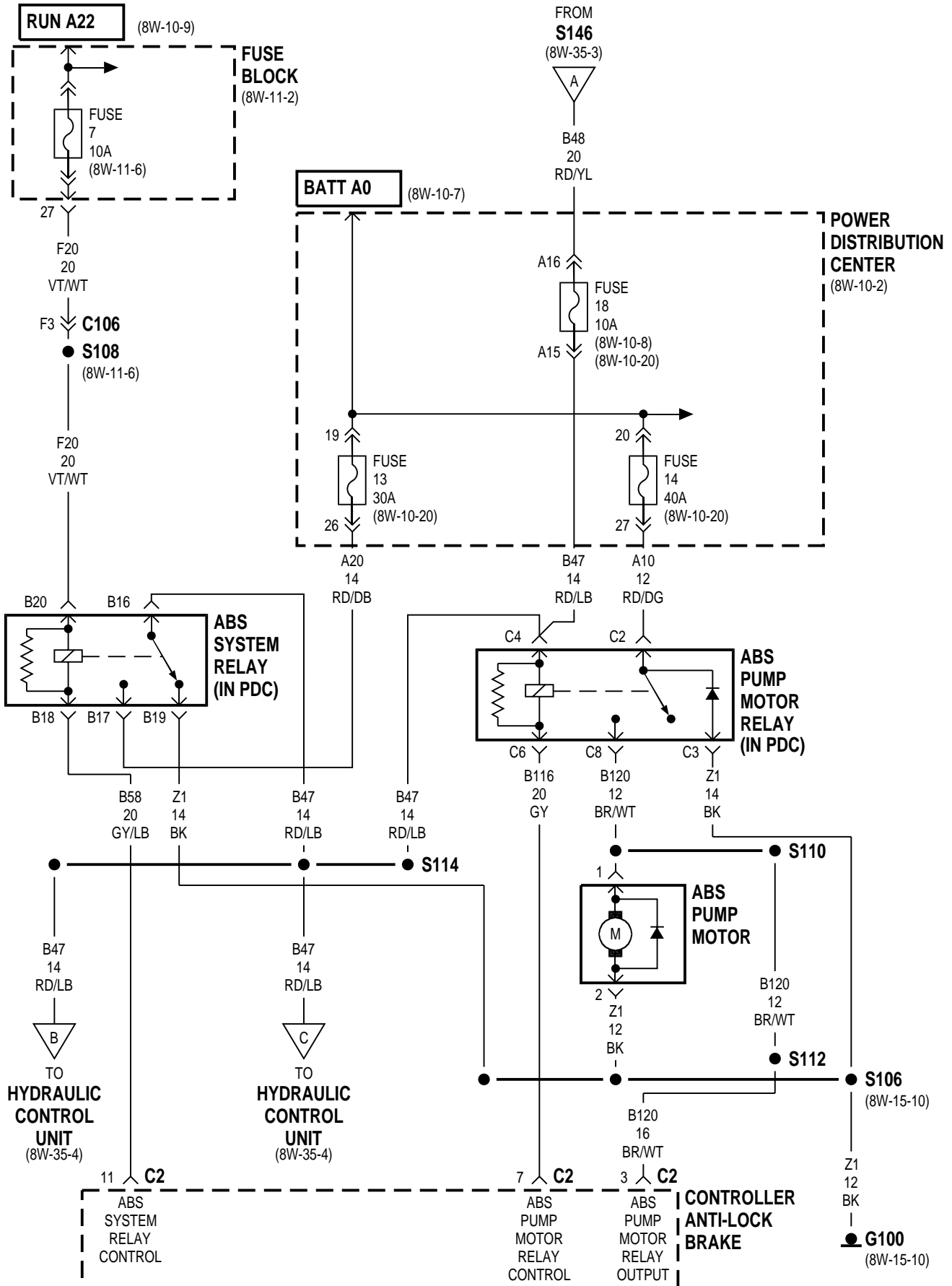
8W-31 TRANSMISSION CONTROL SYSTEM

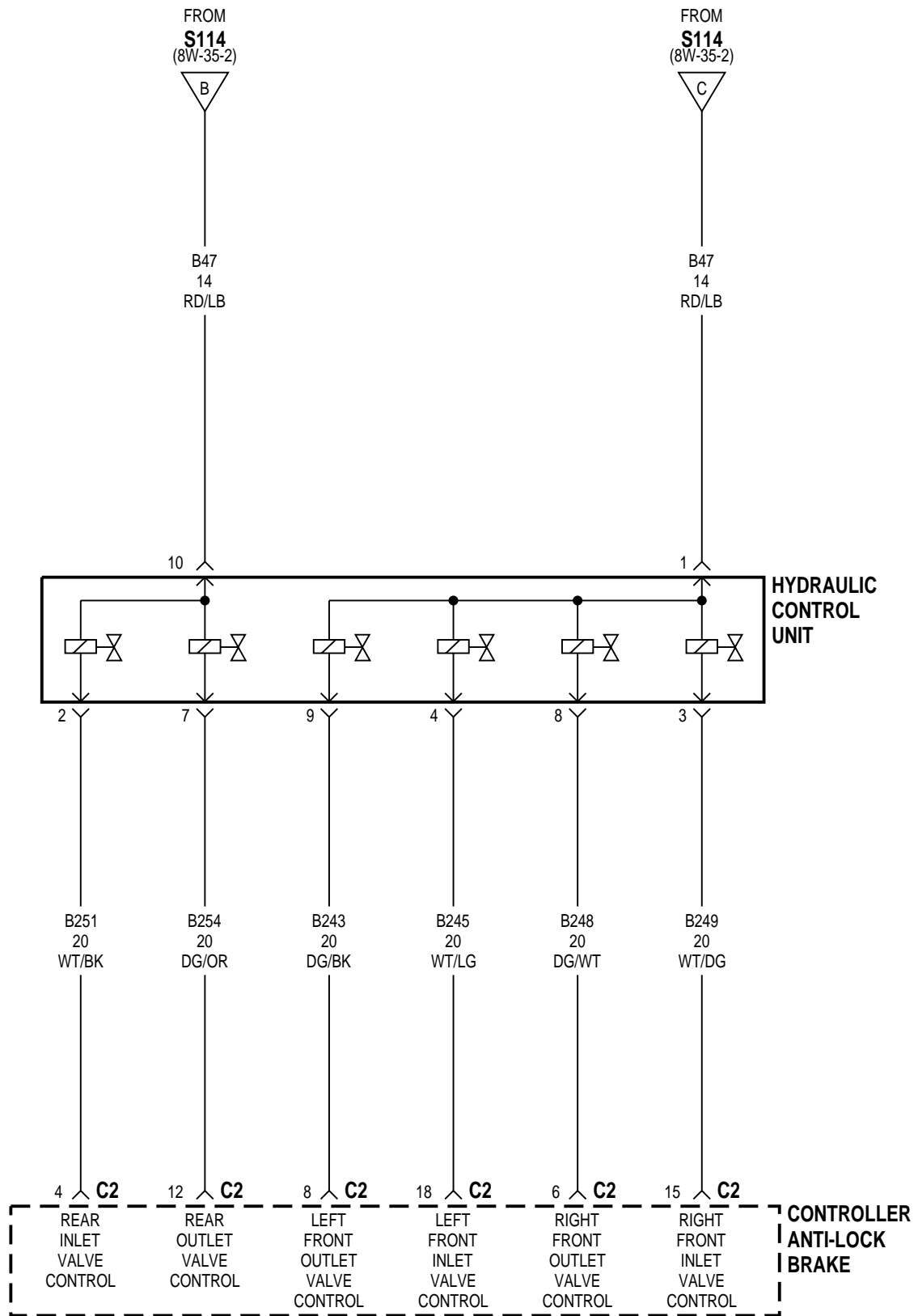
Component	Page	Component	Page
Brake Shift Interlock Solenoid	8W-31-2	G300	8W-31-2
Cigar Lighter/Accessory Relay	8W-31-2	Immobilizer	8W-31-2
Fuse 10 (FB)	8W-31-2	Instrument Cluster	8W-31-2
Fuse 11 (FB)	8W-31-2	Powertrain Control Module	8W-31-2
Fuse Block	8W-31-2	Stop Lamp Switch	8W-31-2
G105	8W-31-2	Torque Converter Clutch Solenoid	8W-31-2
G107	8W-31-2	Transfer Case Switch	8W-31-2

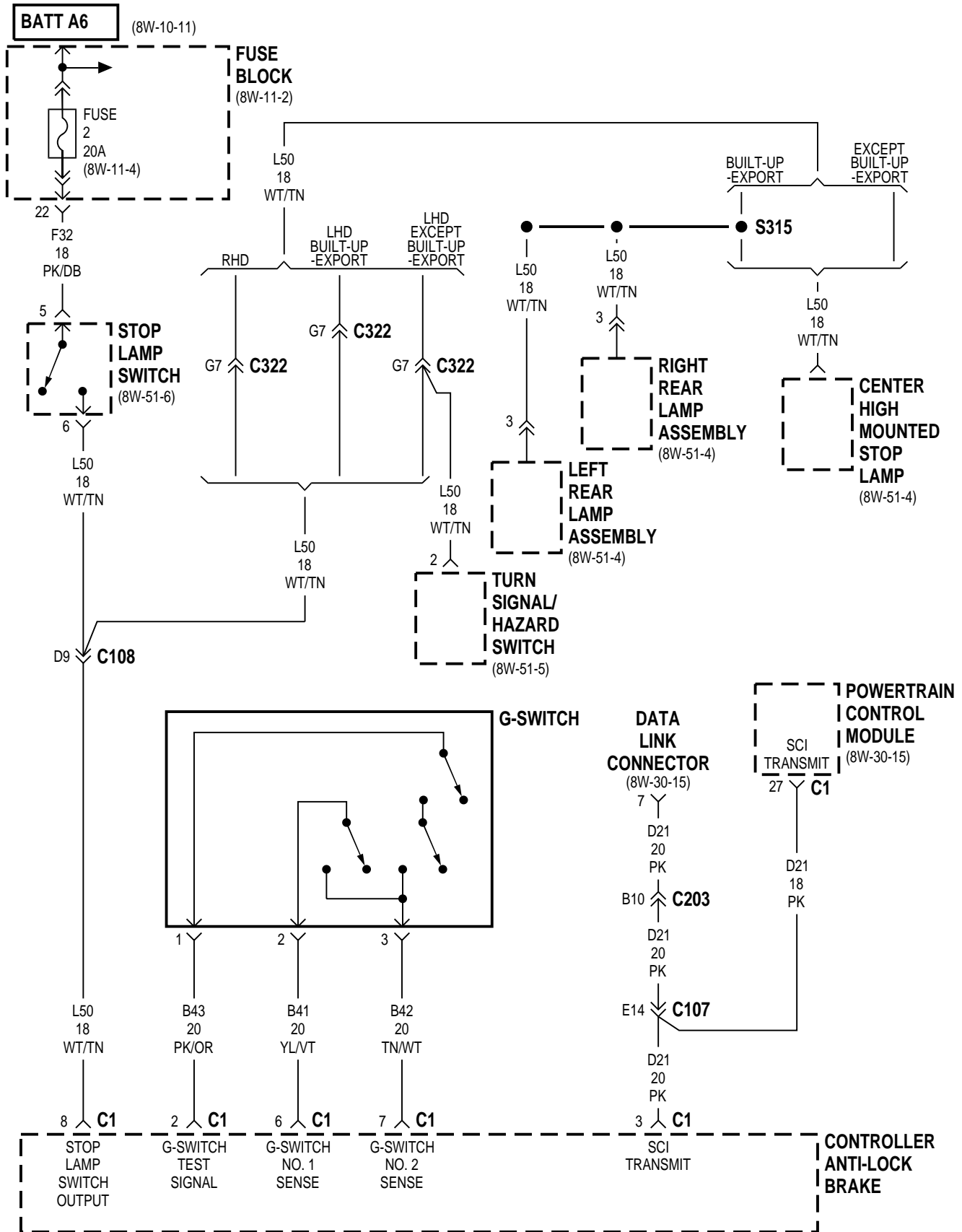


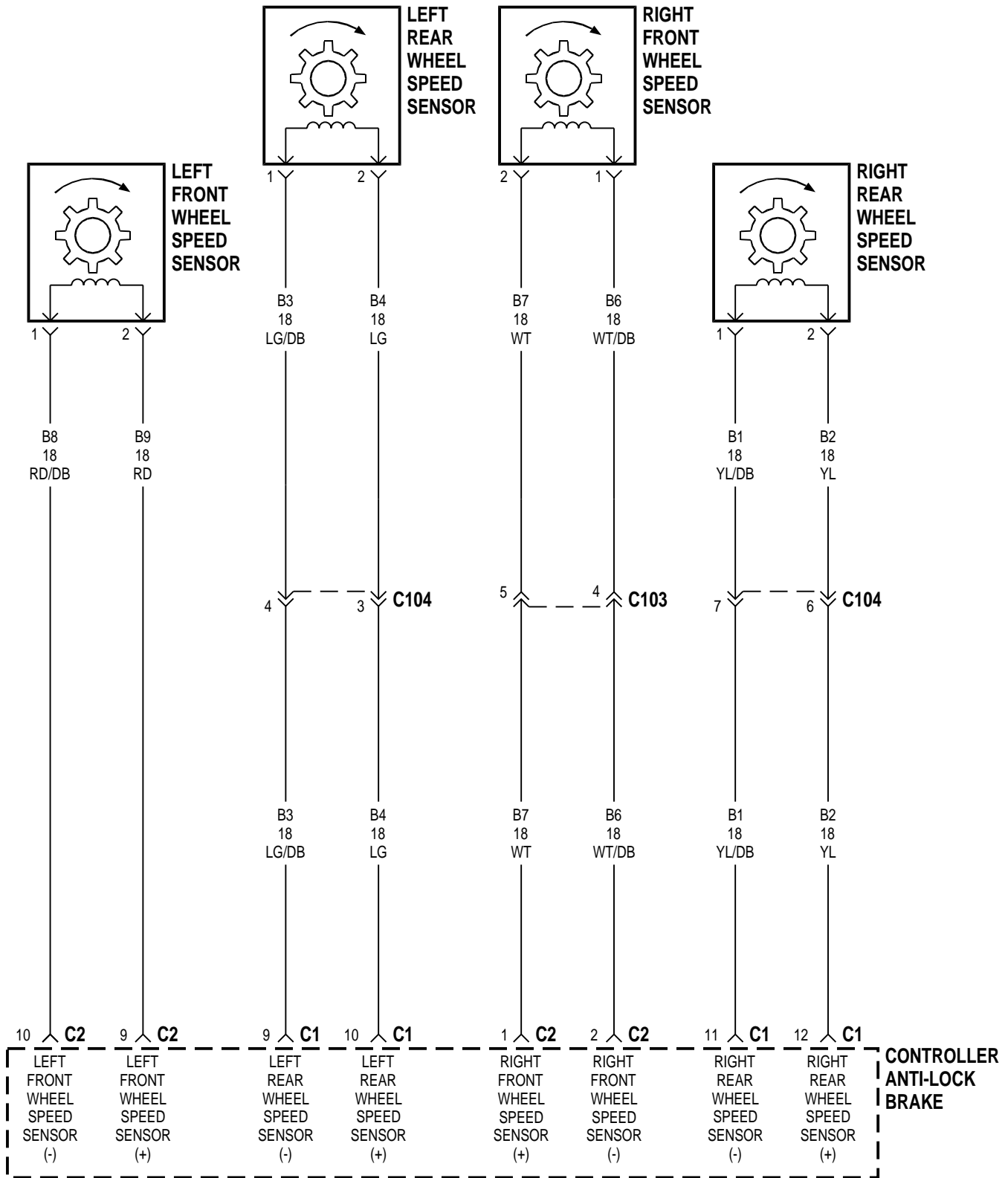
8W-35 ALL WHEEL ANTI-LOCK BRAKES

Component	Page	Component	Page
ABS Diode	8W-35-3	G-Switch	8W-35-5
ABS Pump Motor	8W-35-2	G100	8W-35-2
ABS Pump Motor Relay	8W-35-2	G101	8W-35-3
ABS System Relay	8W-35-2	Hydraulic Control Unit	8W-35-4
ABS Warning Indicator Lamp	8W-35-3	Instrument Cluster	8W-35-3
Brake Shift Interlock Solenoid	8W-35-3	Left Front Wheel Speed Sensor	8W-35-6
Center High Mounted Stop Lamp	8W-35-5	Left Rear Lamp Assembly	8W-35-5
Controller Anti-Lock Brake	8W-35-2, 3, 4, 5, 6	Left Rear Wheel Speed Sensor	8W-35-6
Data Link Connector	8W-35-5	Power Distribution Center	8W-35-2
Fuse 10 (FB)	8W-35-3	Powertrain Control Module	8W-35-5
Fuse 13 (PDC)	8W-35-2	Right Front Wheel Speed Sensor	8W-35-6
Fuse 14 (PDC)	8W-35-2	Right Rear Lamp Assembly	8W-35-5
Fuse 18 (PDC)	8W-35-2	Right Rear Wheel Speed Sensor	8W-35-6
Fuse 2 (FB)	8W-35-5	Stop Lamp Switch	8W-35-5
Fuse 7 (FB)	8W-35-2, 3	Turn Signal/Hazard Switch	8W-35-5
Fuse Block	8W-35-2, 3, 5		



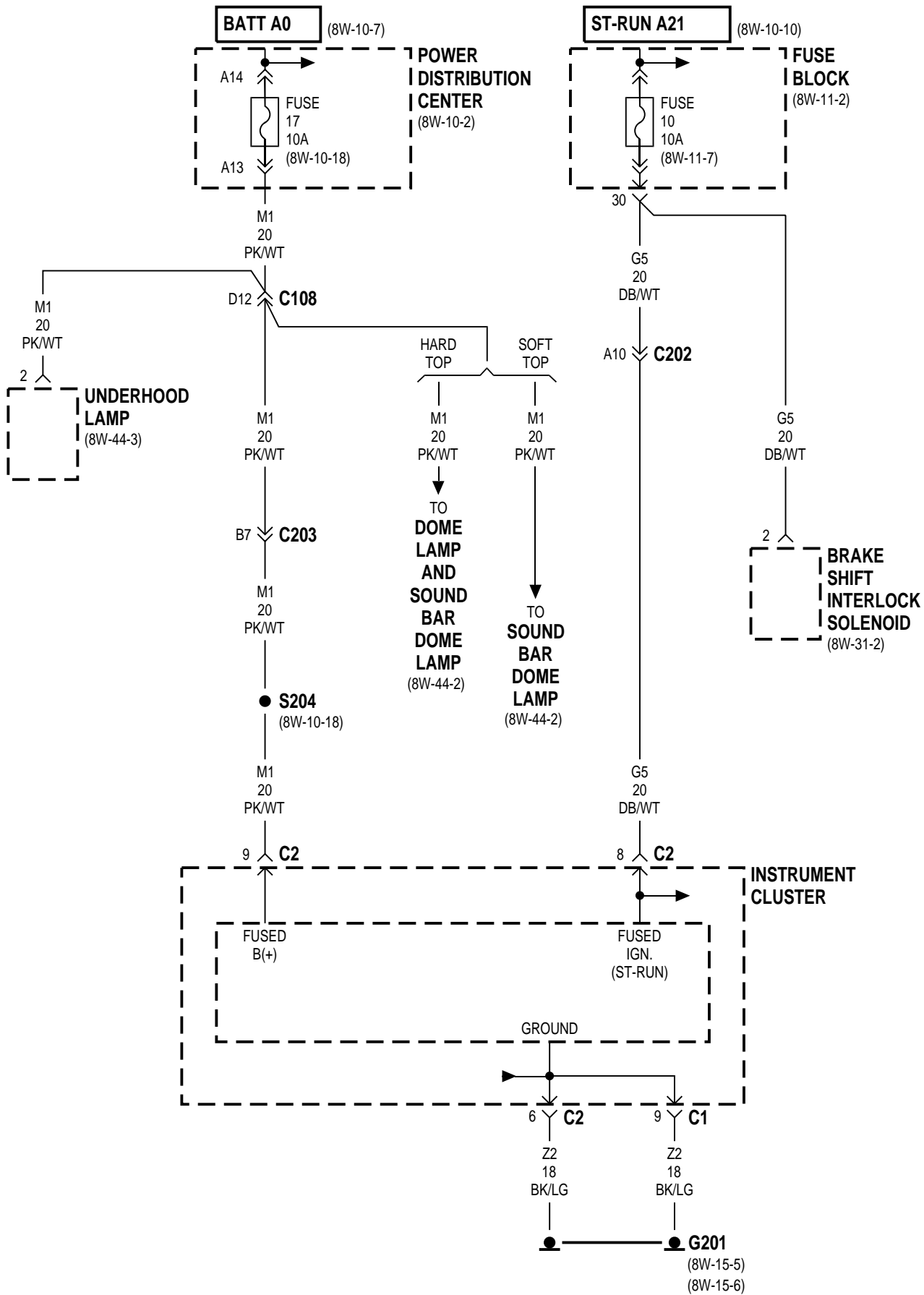


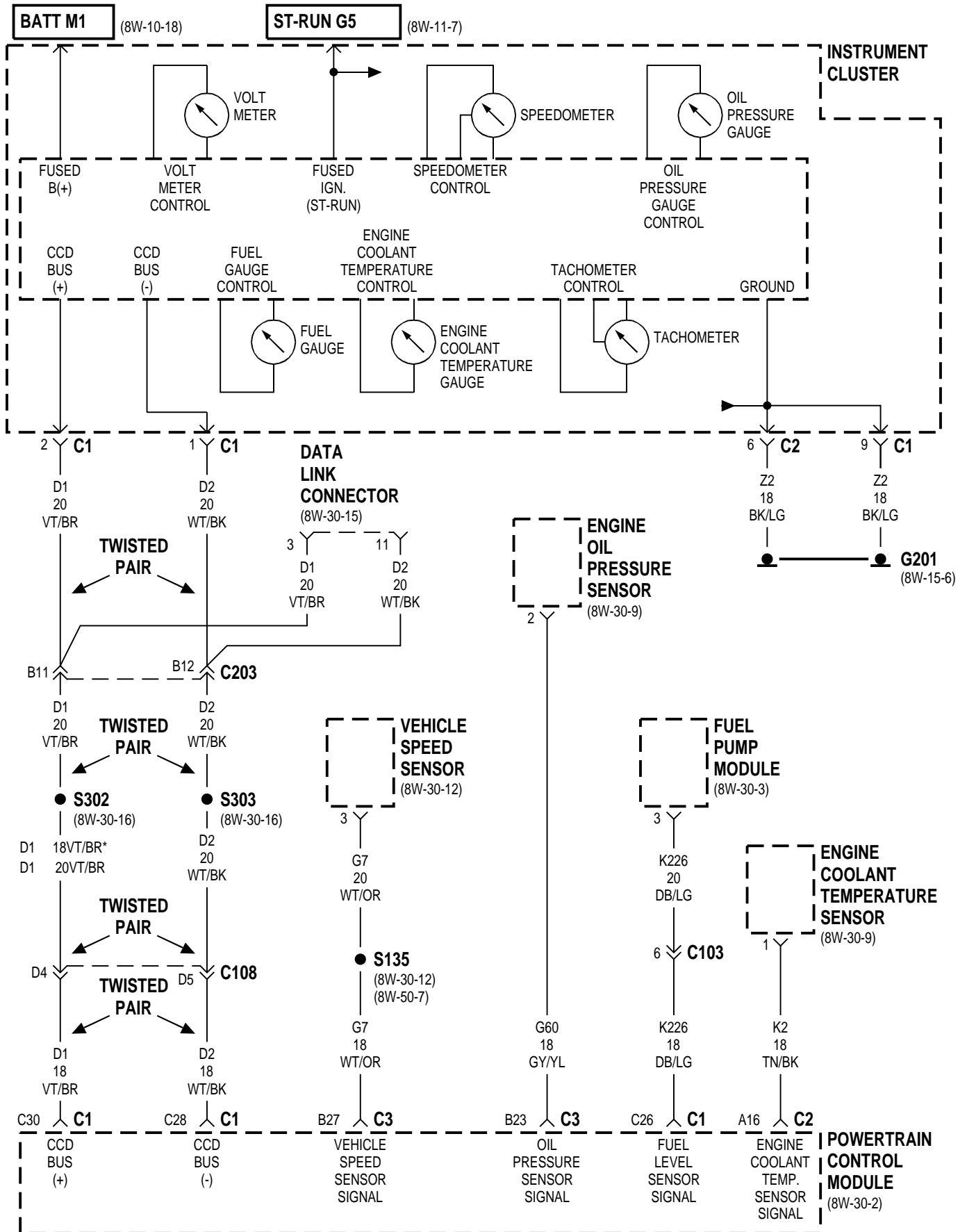




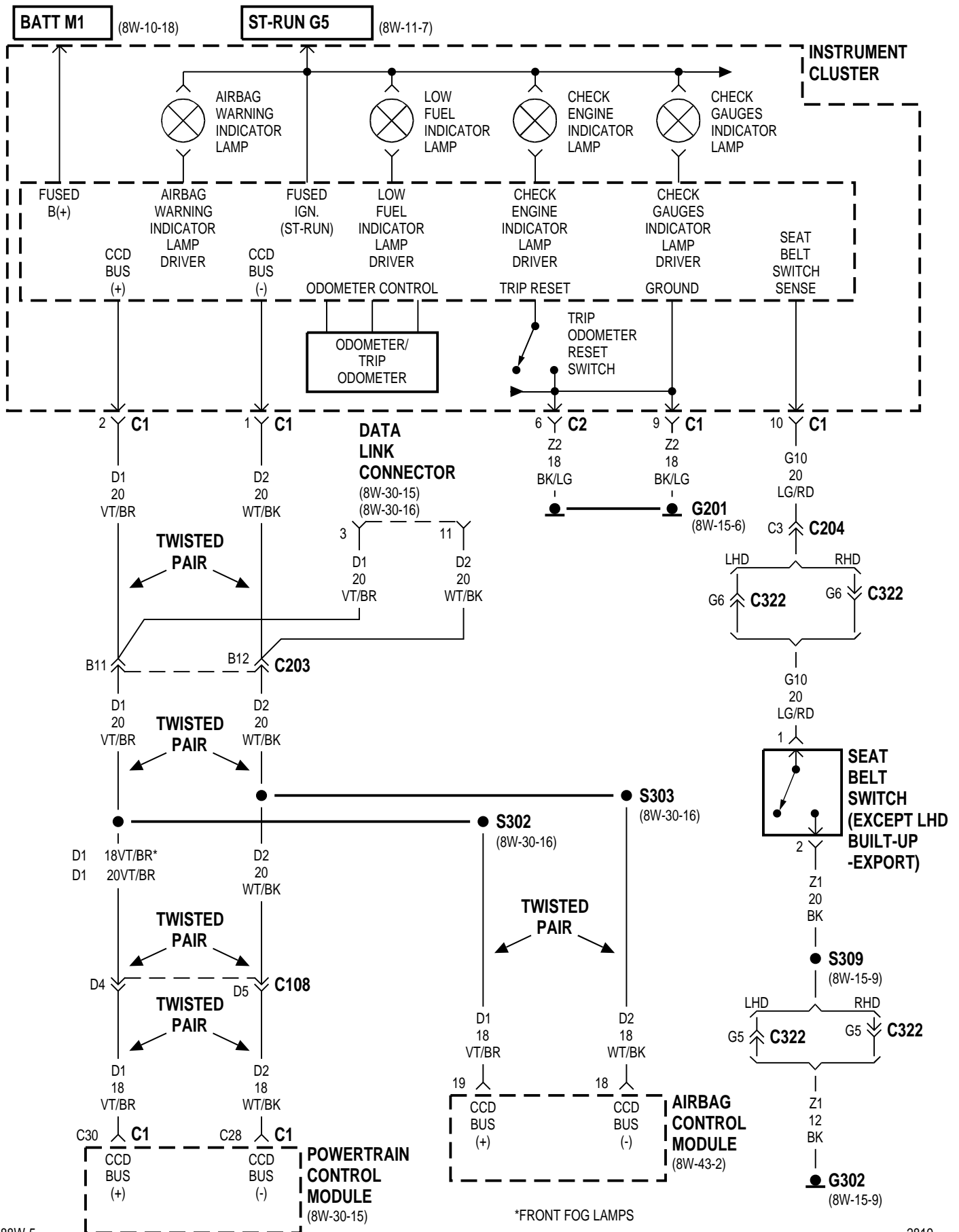
8W-40 INSTRUMENT CLUSTER

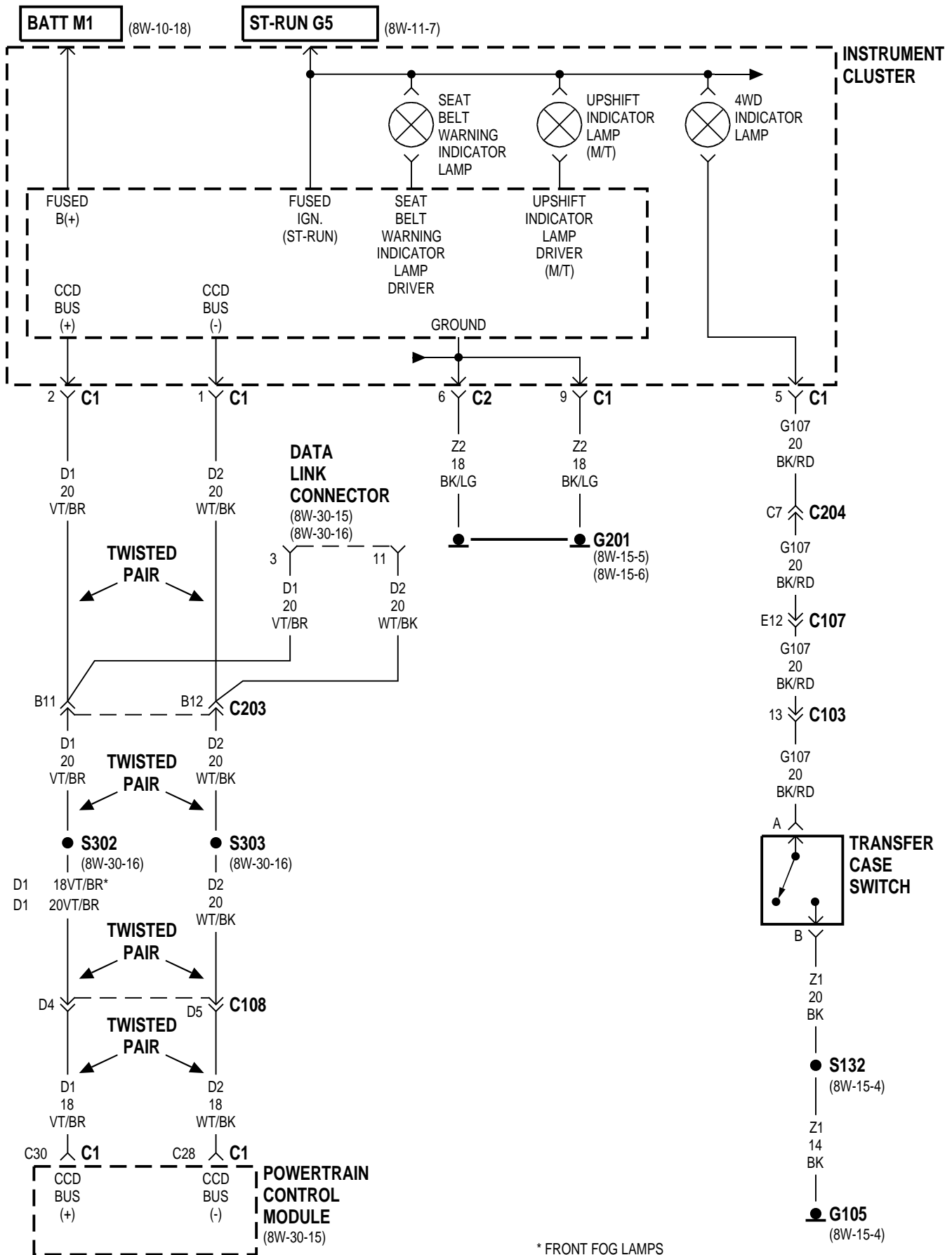
Component	Page	Component	Page
ABS Diode	8W-40-6	Instrument Cluster	8W-40-2, 3, 4, 5, 6, 7, 8, 9
ABS Warning Indicator Lamp	8W-40-6	Key-In Switch	8W-40-7
Airbag Control Module	8W-40-4	Left Park/Turn Lamp	8W-40-9
Airbag Warning Indicator Lamp	8W-40-4	Left Repeater	8W-40-9
Brake Shift Interlock Solenoid	8W-40-2	Left Side Marker	8W-40-9
Brake Warning Indicator Lamp	8W-40-6	Left Turn Lamp	8W-40-9
Brake Warning Switch	8W-40-6	Left Turn Signal Indicator Lamp	8W-40-9
Check Engine Indicator Lamp	8W-40-4	Low Fuel Indicator Lamp	8W-40-4
Check Gauges Indicator Lamp	8W-40-4	Odometer/Trip Odometer	8W-40-4
Cluster Illumination Lamps	8W-40-8	Oil Pressure Gauge	8W-40-3
Controller Anti-Lock Brake	8W-40-6	Park Brake Switch	8W-40-6
Data Link Connector	8W-40-3, 4, 5, 7	Passenger Door Ajar Switch	8W-40-7
Daytime Running Lamp Module	8W-40-9	Power Distribution Center	8W-40-2
Dome Lamp And Sound Bar Dome Lamp	8W-40-2	Powertrain Control Module	8W-40-3, 4, 5, 7
Driver Door Ajar Switch	8W-40-7	PRNDL Lamp	8W-40-8
Engine Coolant Temperature Gauge	8W-40-3	Rear Window Defogger Relay	8W-40-8
Engine Coolant Temperature Sensor	8W-40-3	Rear Window Defogger Switch	8W-40-8
Engine Oil Pressure Sensor	8W-40-3	Right Park/Turn Lamp	8W-40-9
Fog Lamp Relay No. 1	8W-40-9	Right Repeater	8W-40-9
Fuel Gauge	8W-40-3	Right Side Marker	8W-40-9
Fuel Pump Module	8W-40-3	Right Turn Lamp	8W-40-9
Fuse 4 (FB)	8W-40-7	Right Turn Signal Indicator Lamp	8W-40-9
Fuse 10 (FB)	8W-40-2	Seat Belt Switch	8W-40-4
Fuse 12 (FB)	8W-40-8	Seat Belt Warning Indicator Lamp	8W-40-5
Fuse 17 (PDC)	8W-40-2	Sound Bar Dome Lamp	8W-40-2
Fuse Block	8W-40-2, 7, 8	Speedometer	8W-40-3
G105	8W-40-5	Tachometer	8W-40-3
G107	8W-40-5	Transfer Case Switch	8W-40-5
G201	8W-40-2, 3, 4, 5, 6, 7, 8, 9	Trip Odometer Reset Switch	8W-40-4
G300	8W-40-6, 7	Turn Signal/Hazard Switch	8W-40-9
G302	8W-40-4	Underhood Lamp	8W-40-2
Headlamp Dimmer Switch	8W-40-9	Upshift Indicator Lamp (M/T)	8W-40-5
Headlamp Switch	8W-40-7, 8	Vehicle Speed Sensor	8W-40-3
High Beam Indicator Lamp	8W-40-9	Volt Meter	8W-40-3
Ignition Switch	8W-40-6		

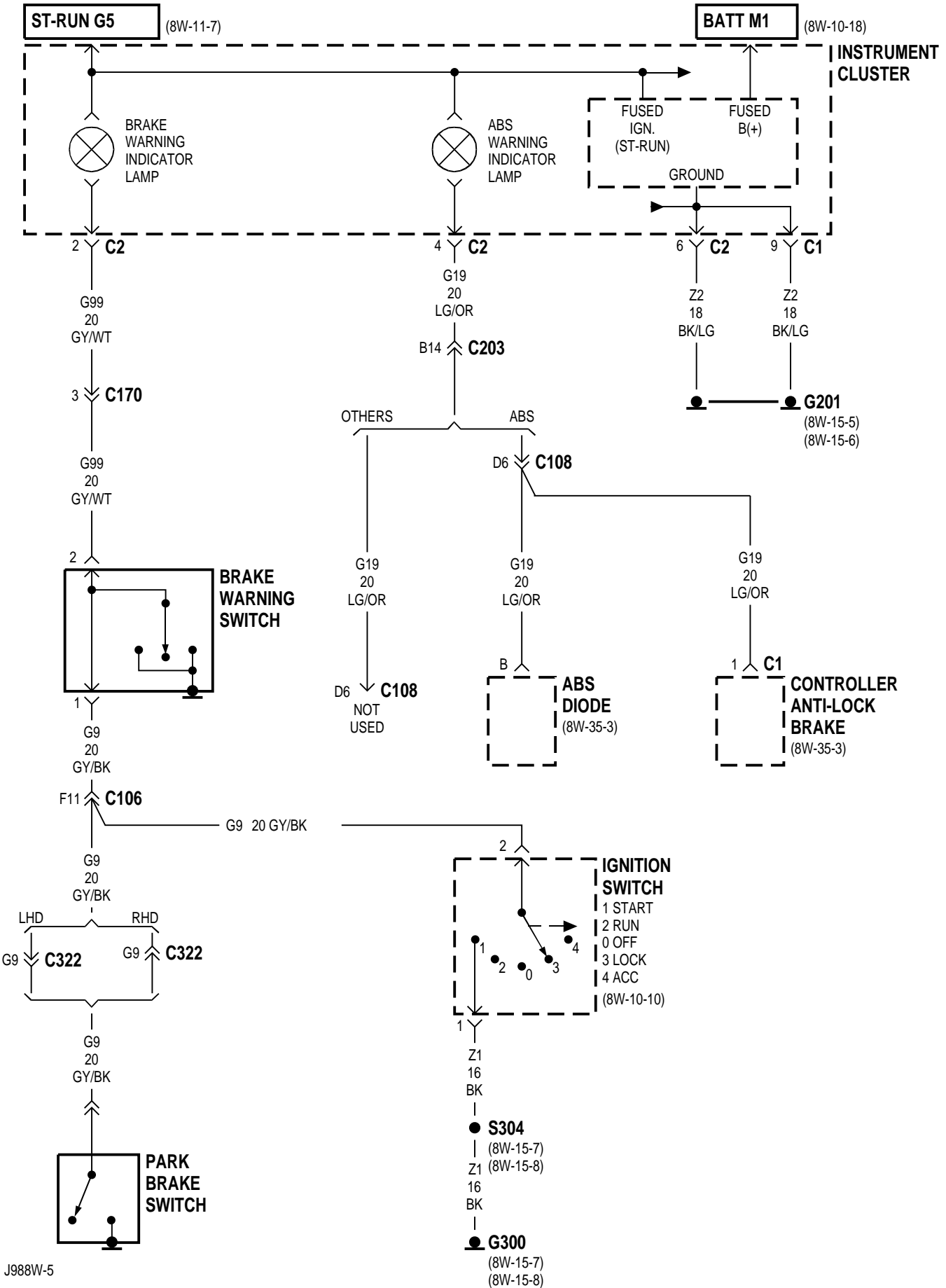


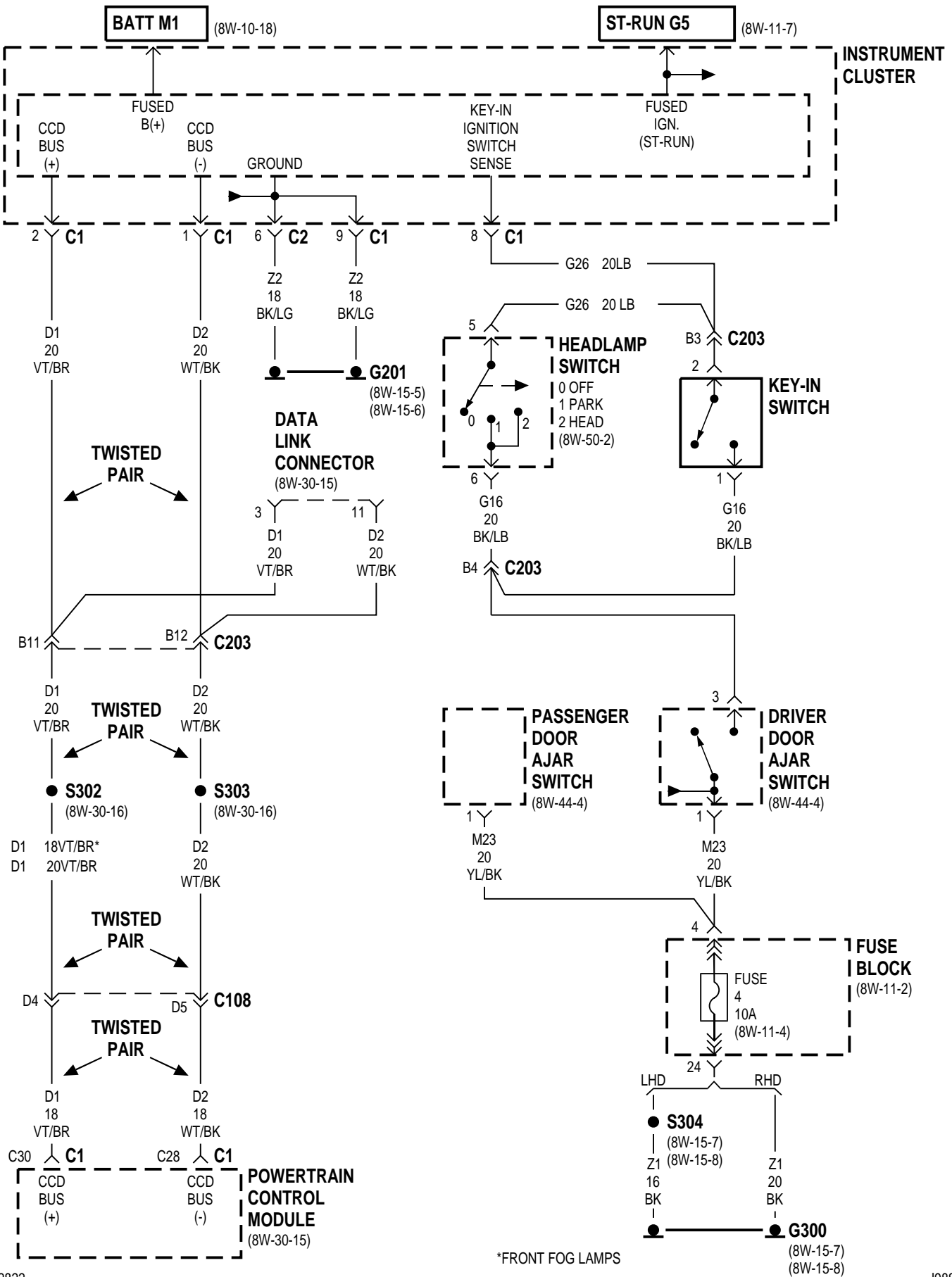


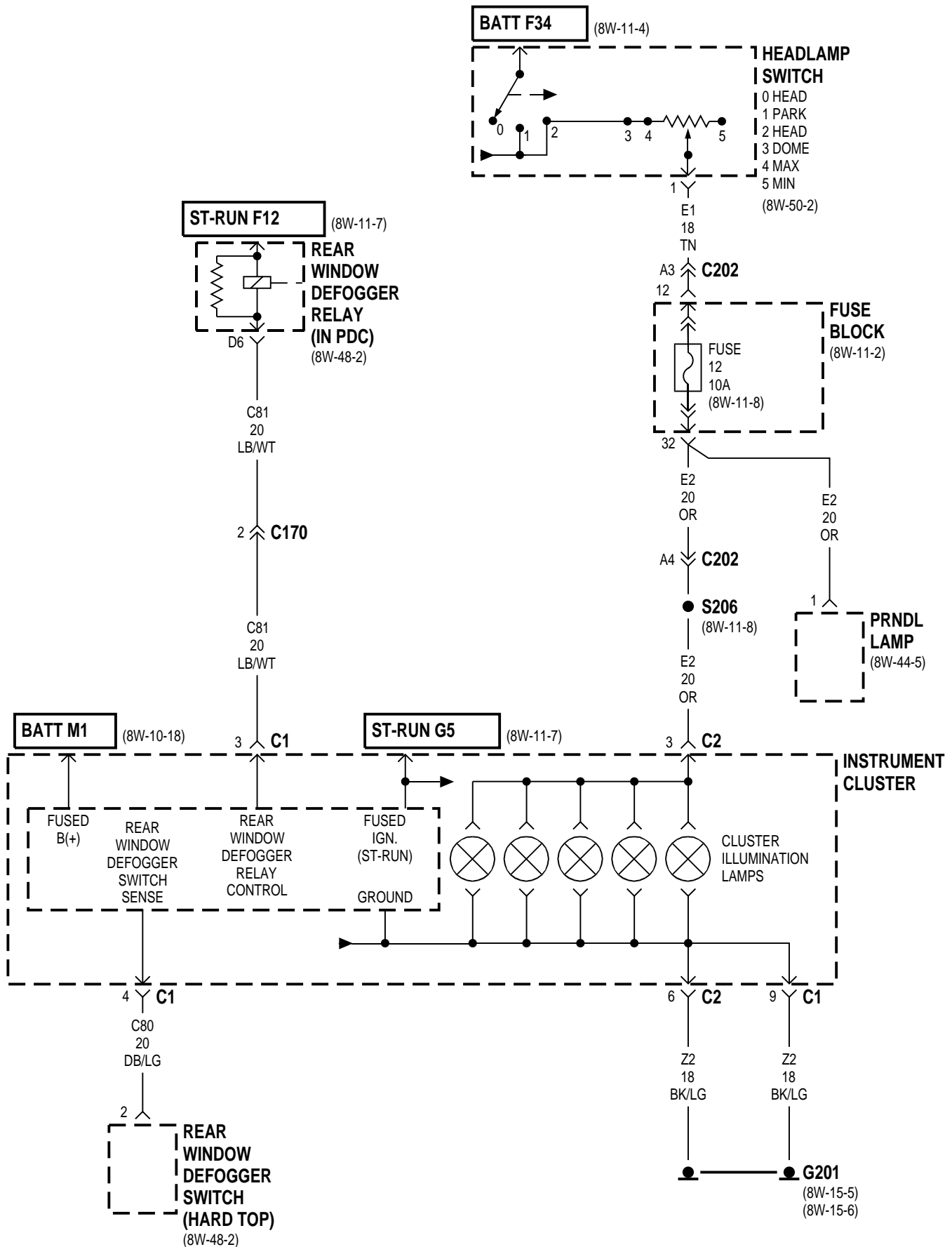
* FRONT FOG LAMPS

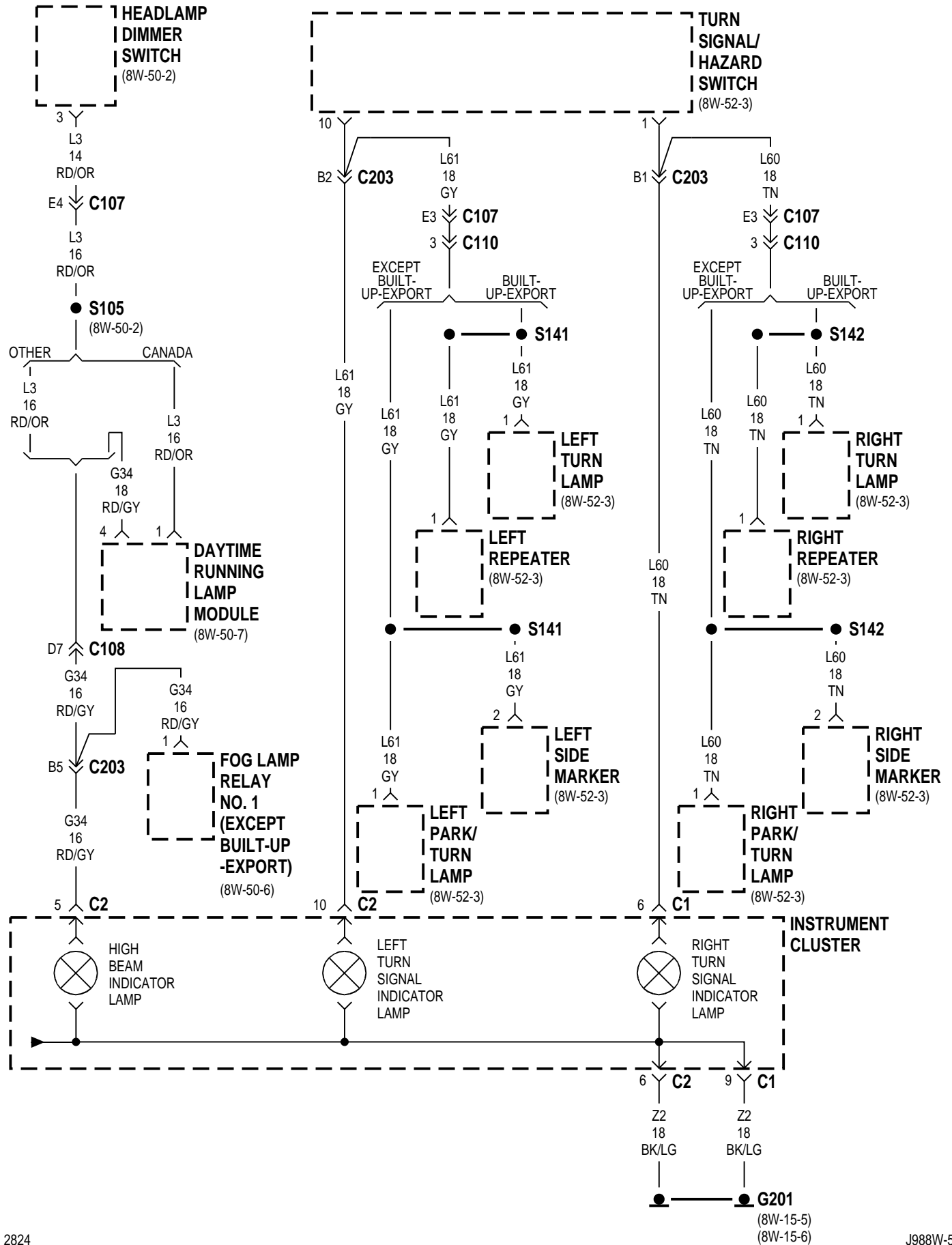






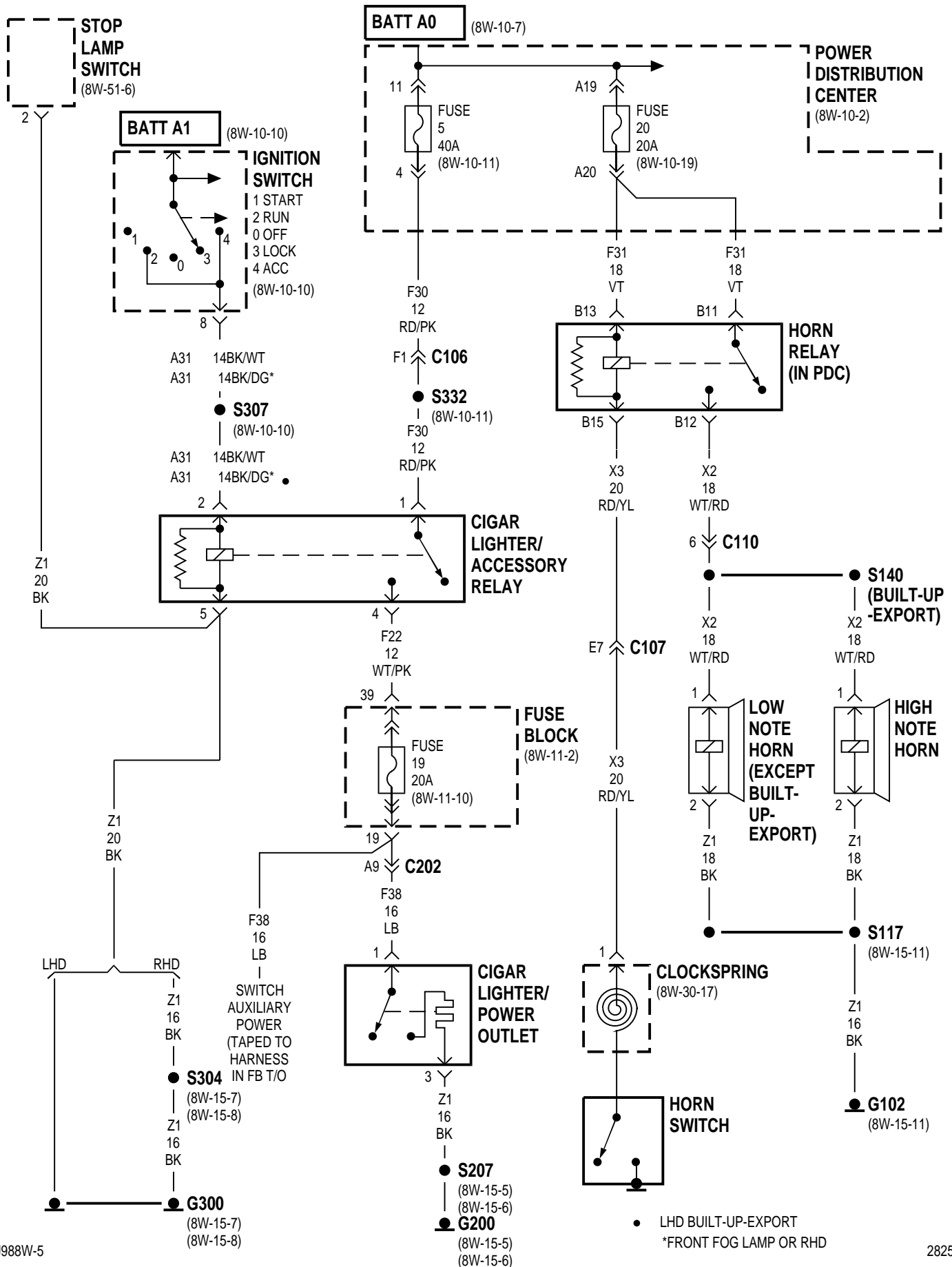






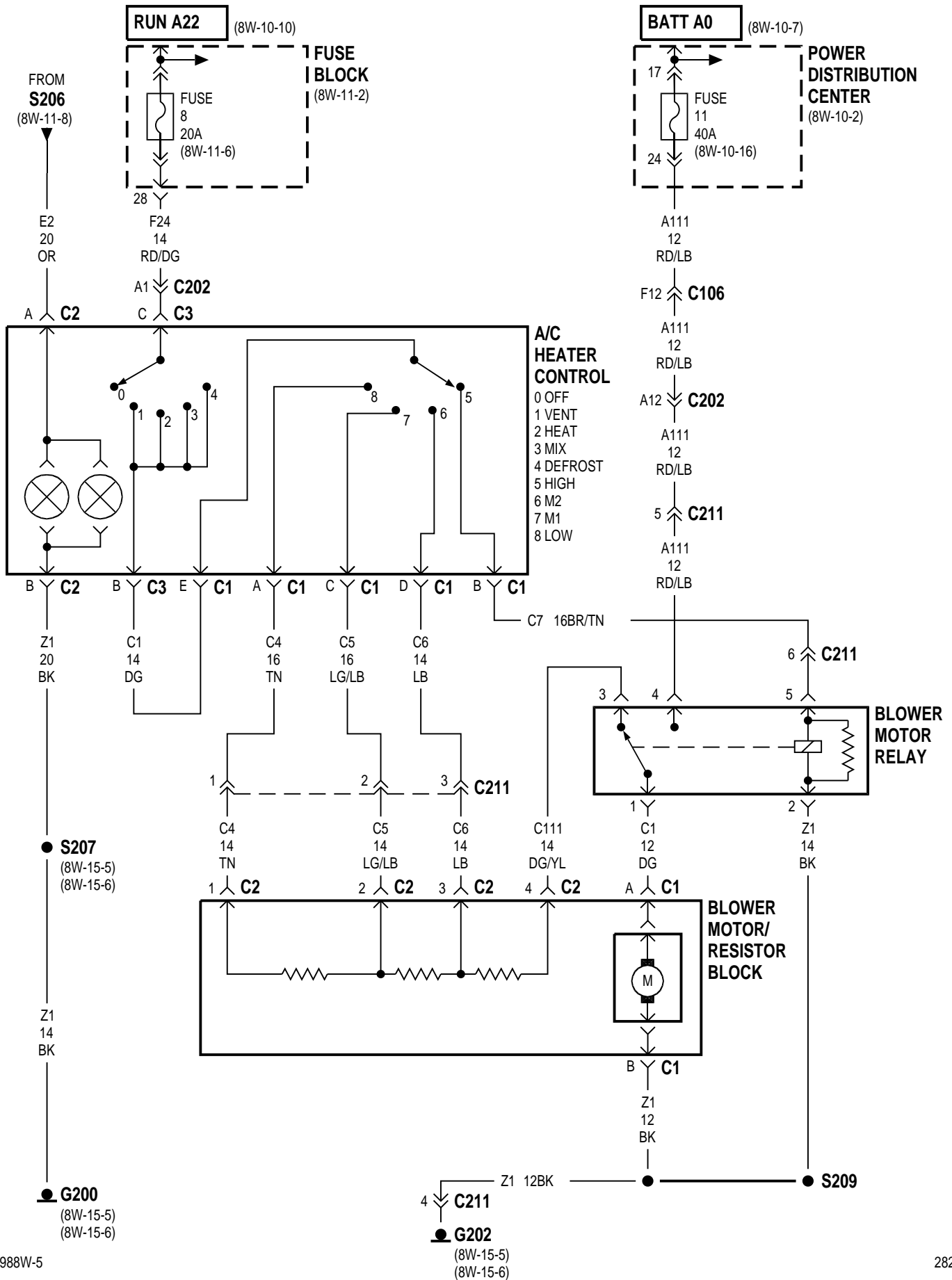
8W-41 HORN/CIGAR LIGHTER

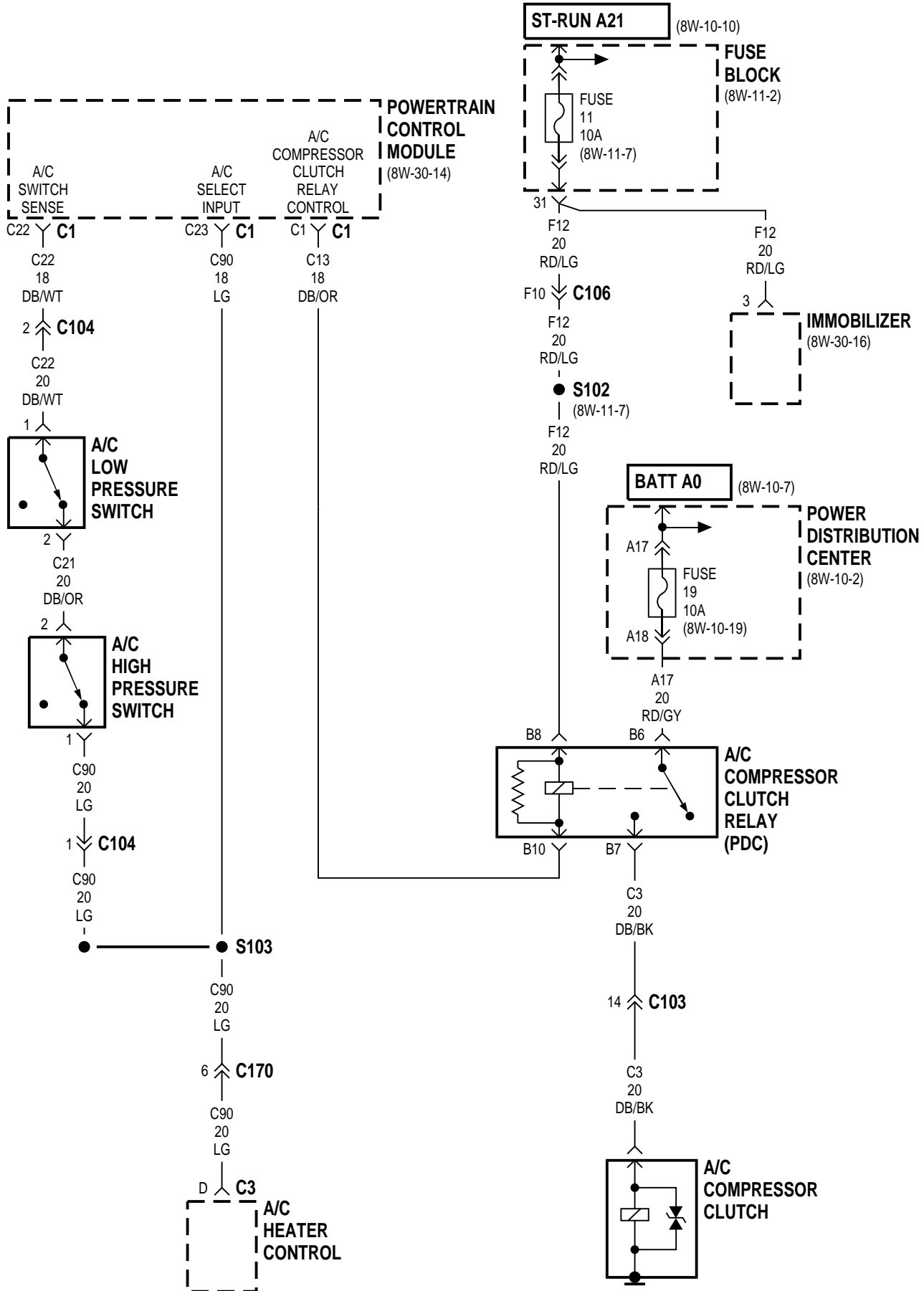
Component	Page	Component	Page
Cigar Lighter/Accessory Relay	8W-41-2	G300	8W-41-2
Cigar Lighter/Power Outlet	8W-41-2	High Note Horn	8W-41-2
Clockspring	8W-41-2	Horn Relay	8W-41-2
Fuse 5 (PDC)	8W-41-2	Horn Switch	8W-41-2
Fuse 19 (FB)	8W-41-2	Ignition Switch	8W-41-2
Fuse 20 (PDC)	8W-41-2	Low Note Horn	8W-41-2
Fuse Block	8W-41-2	Power Distribution Center	8W-41-2
G102	8W-41-2	Stop Lamp Switch	8W-41-2
G200	8W-41-2		

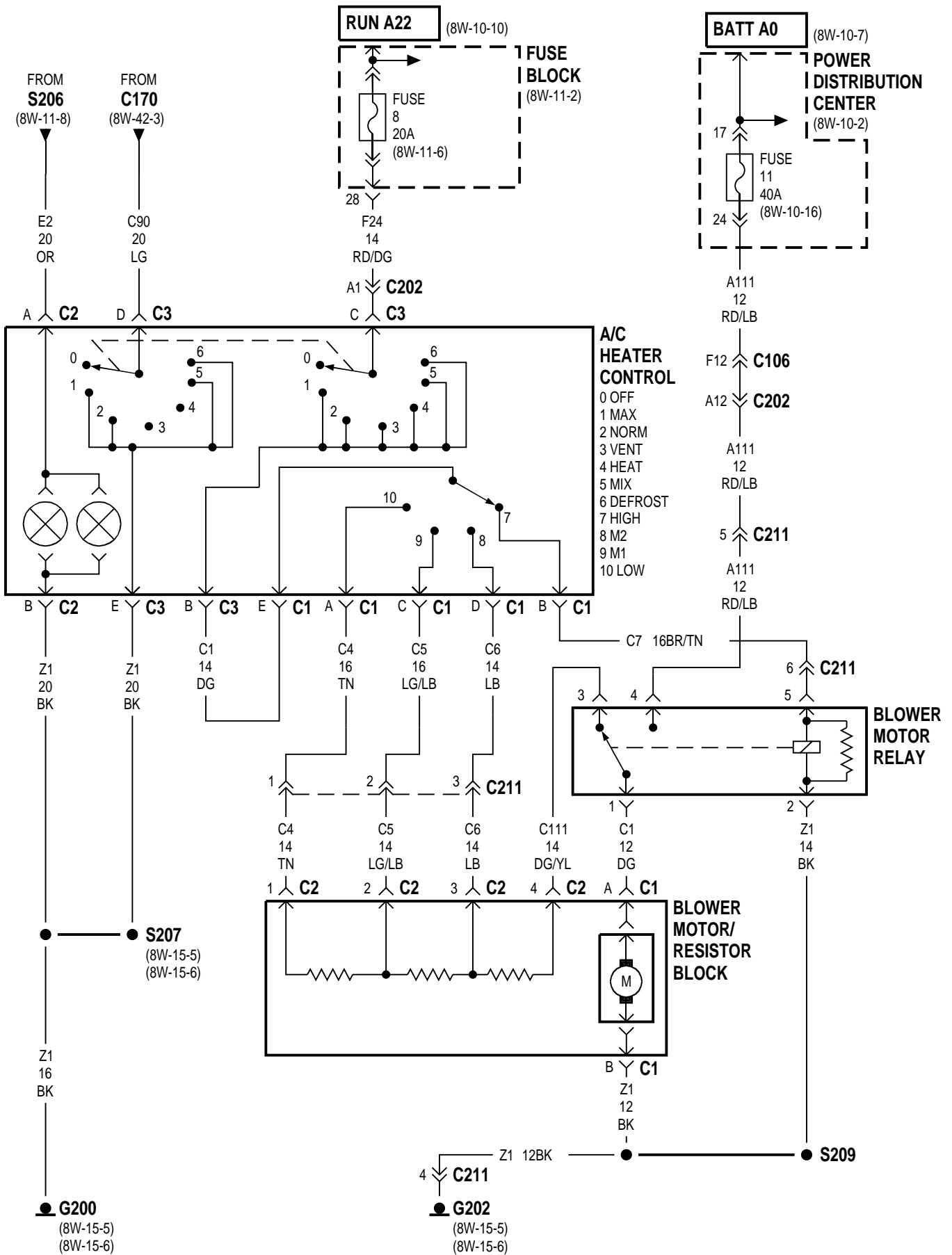


8W-42 AIR CONDITIONING-HEATER

Component	Page	Component	Page
A/C Compressor Clutch	8W-42-3	Fuse 11 (PDC)	8W-42-2, 4
A/C Compressor Clutch Relay	8W-42-3	Fuse 11 (PDC)	8W-42-4
A/C Heater Control	8W-42-2, 3, 4	Fuse 19 (PDC)	8W-42-3
A/C High Pressure Switch	8W-42-3	Fuse Block	8W-42-2, 3, 4
A/C Low Pressure Switch	8W-42-3	G200	8W-42-2, 4
Blower Motor Relay	8W-42-2, 4	G202	8W-42-2, 4
Blower Motor/Resistor Block	8W-42-2, 4	Immobilizer	8W-42-3
Fuse 8 (FB)	8W-42-2, 4	Power Distribution Center	8W-42-2, 3, 4
Fuse 11 (FB)	8W-42-3	Powertrain Control Module	8W-42-3

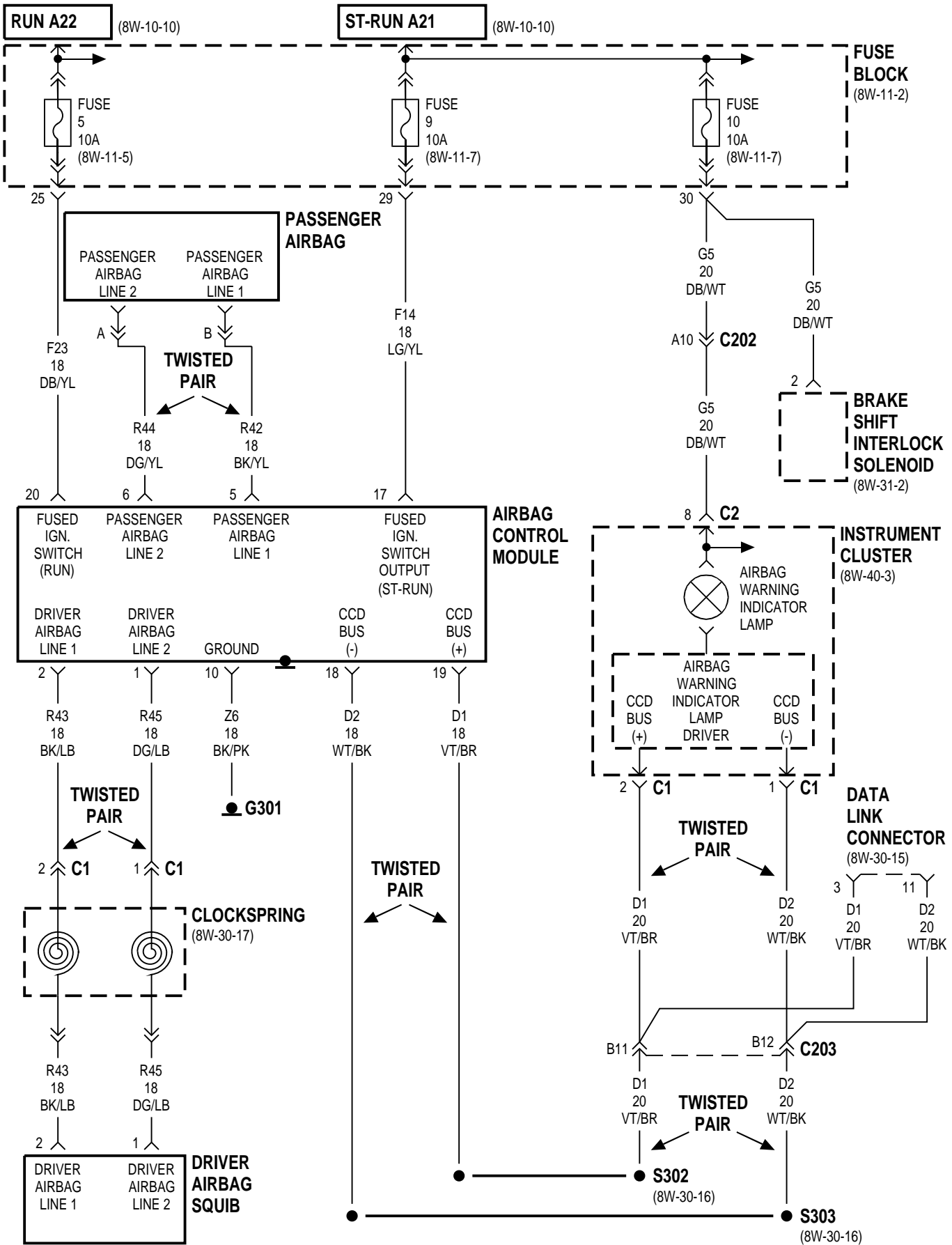






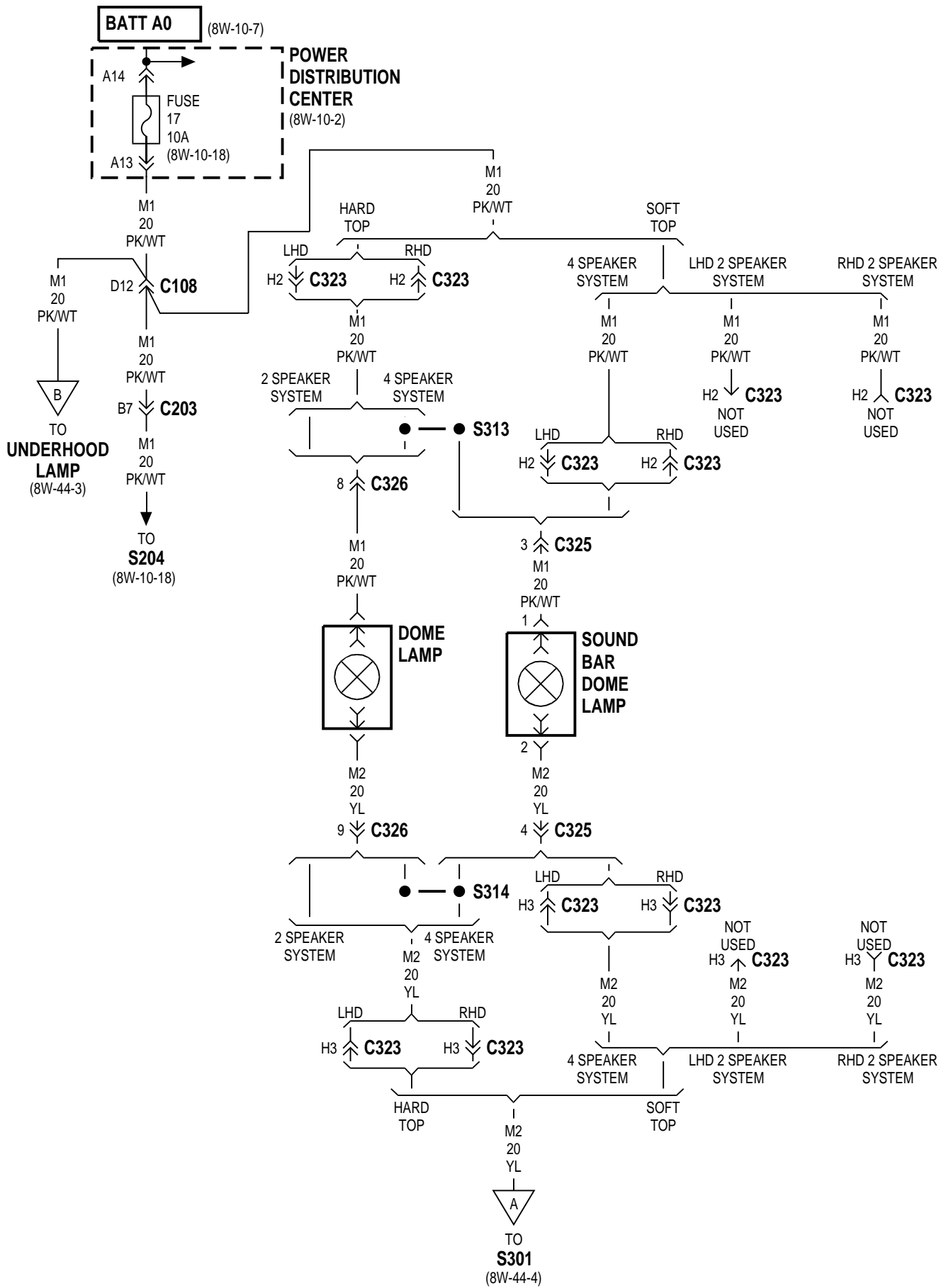
8W-43 AIRBAG SYSTEM

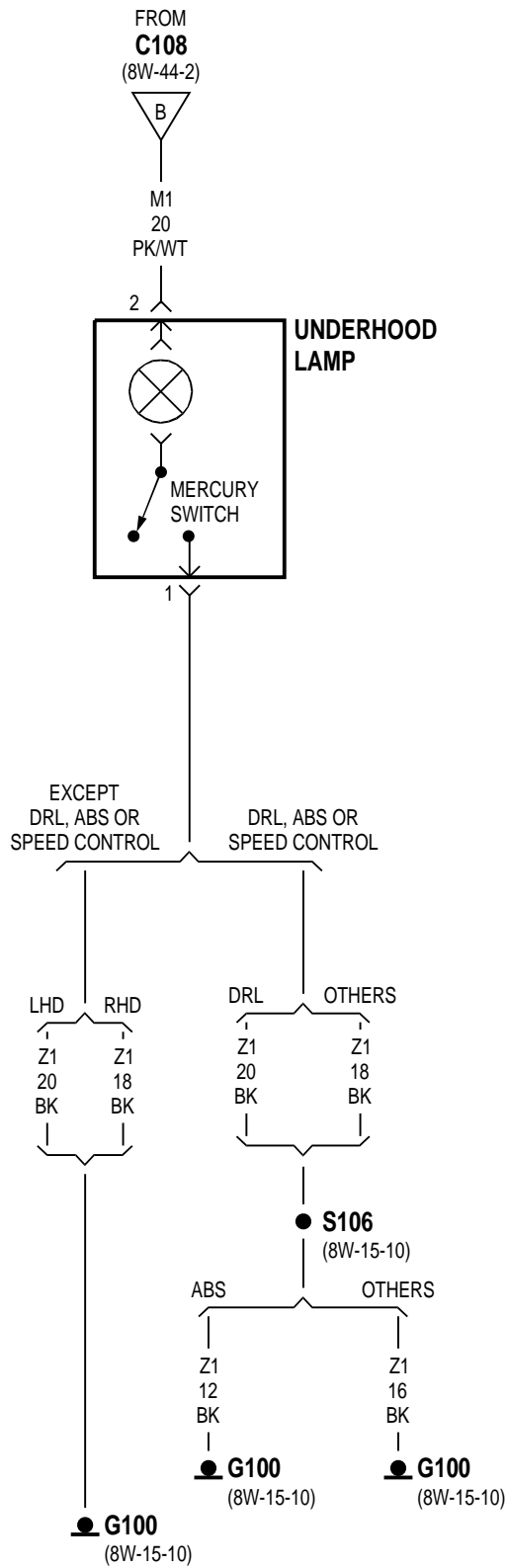
Component	Page	Component	Page
Airbag Control Module	8W-43-2	Fuse 9 (FB)	8W-43-2
Airbag Warning Indicator Lamp	8W-43-2	Fuse 10 (FB)	8W-43-2
Brake Shift Interlock Solenoid	8W-43-2	Fuse Block	8W-43-2
Clockspring	8W-43-2	G301	8W-43-2
Data Link Connector	8W-43-2	Instrument Cluster	8W-43-2
Driver Airbag Squib	8W-43-2	Passenger Airbag	8W-43-2
Fuse 5 (FB)	8W-43-2		

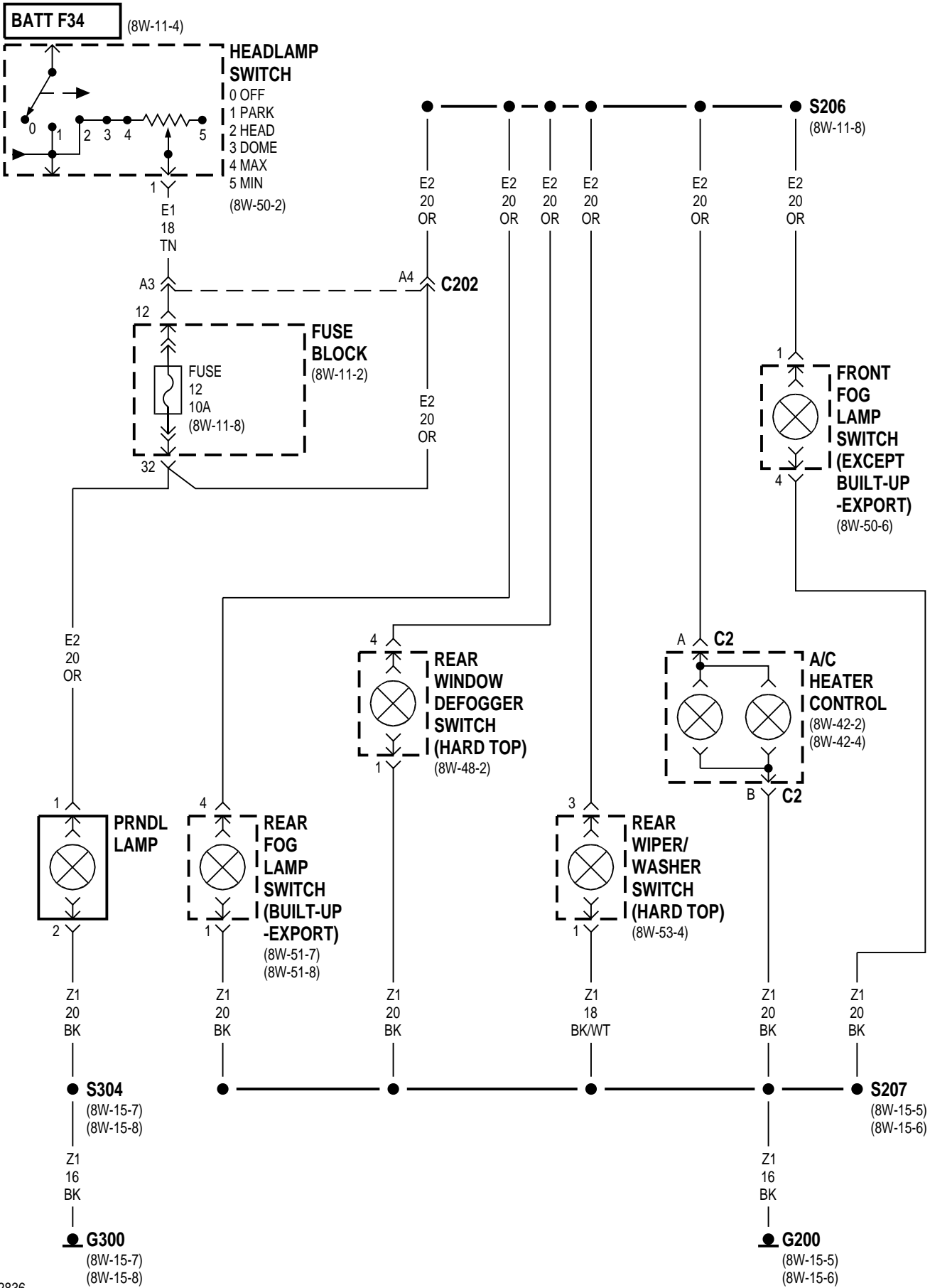


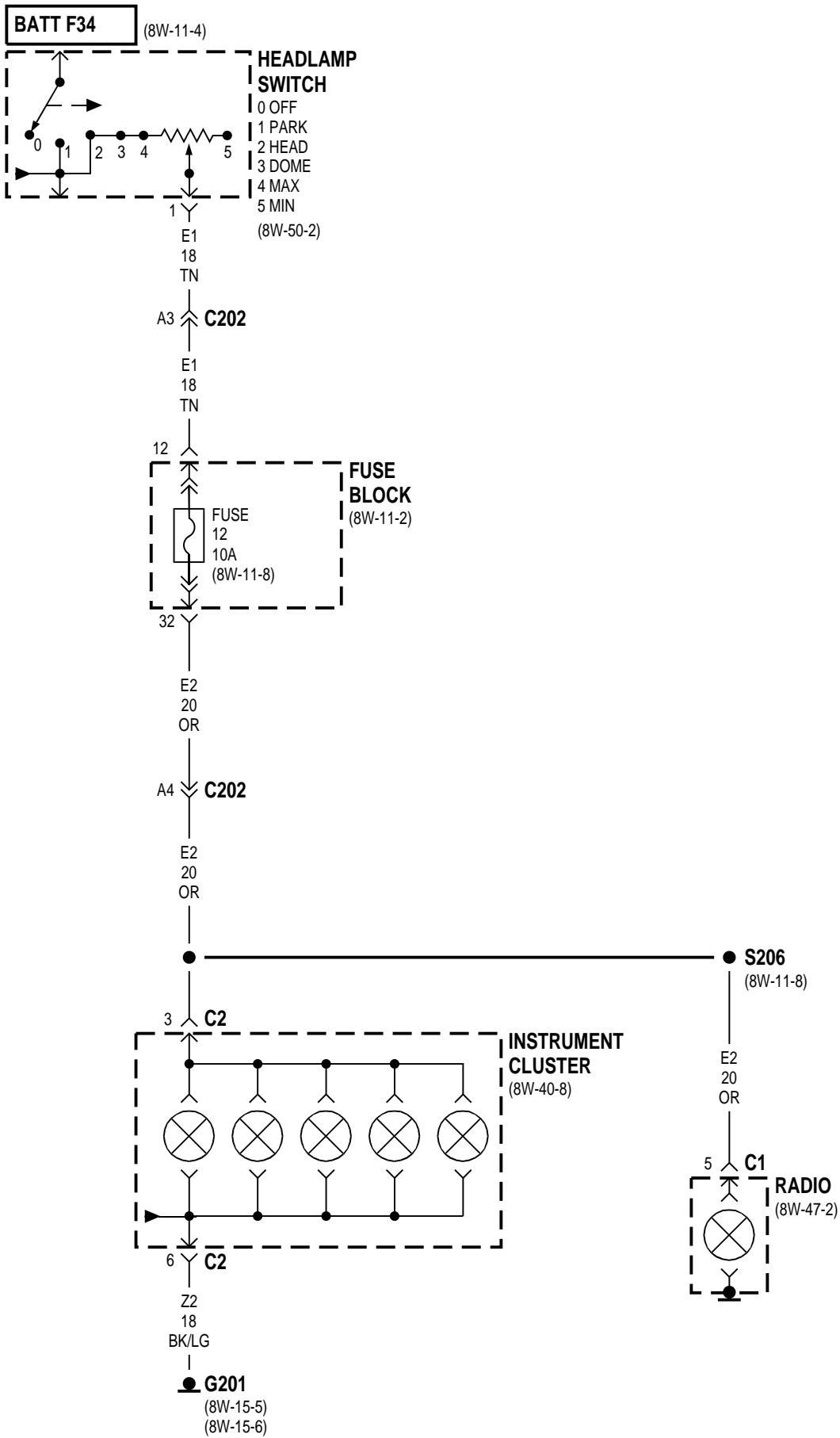
8W-44 INTERIOR LIGHTING

Component	Page	Component	Page
A/C Heater Control	8W-44-5	Instrument Cluster	8W-44-4, 6
Dome Lamp	8W-44-2	Key-In Switch	8W-44-4
Dome Lamp And Sound Bar Dome Lamp	8W-44-4	Left Courtesy Lamp	8W-44-4
Driver Door Ajar Switch	8W-44-4	Mercury Switch	8W-44-3
Front Fog Lamp Switch	8W-44-5	Passenger Door Ajar Switch	8W-44-4
Fuse 5 (FB)	8W-43-2	Power Distribution Center	8W-44-2, 4
Fuse 9 (FB)	8W-43-2	PRNDL Lamp	8W-44-5
Fuse 12 (FB)	8W-44-5, 6	Radio	8W-44-6
Fuse 17 (PDC)	8W-44-2, 4	Rear Fog Lamp Switch	8W-44-5
Fuse Block	8W-44-4, 5, 6	Rear Window Defogger Switch	8W-44-5
G100	8W-44-3	Rear Wiper/Washer Switch	8W-44-5
G200	8W-44-4, 5	Right Courtesy Lamp	8W-44-4
G201	8W-44-6	Sound Bar Dome Lamp	8W-44-2, 4
G300	8W-44-4, 5	Underhood Lamp	8W-44-2, 3, 4
Headlamp Switch	8W-44-4, 5, 6		



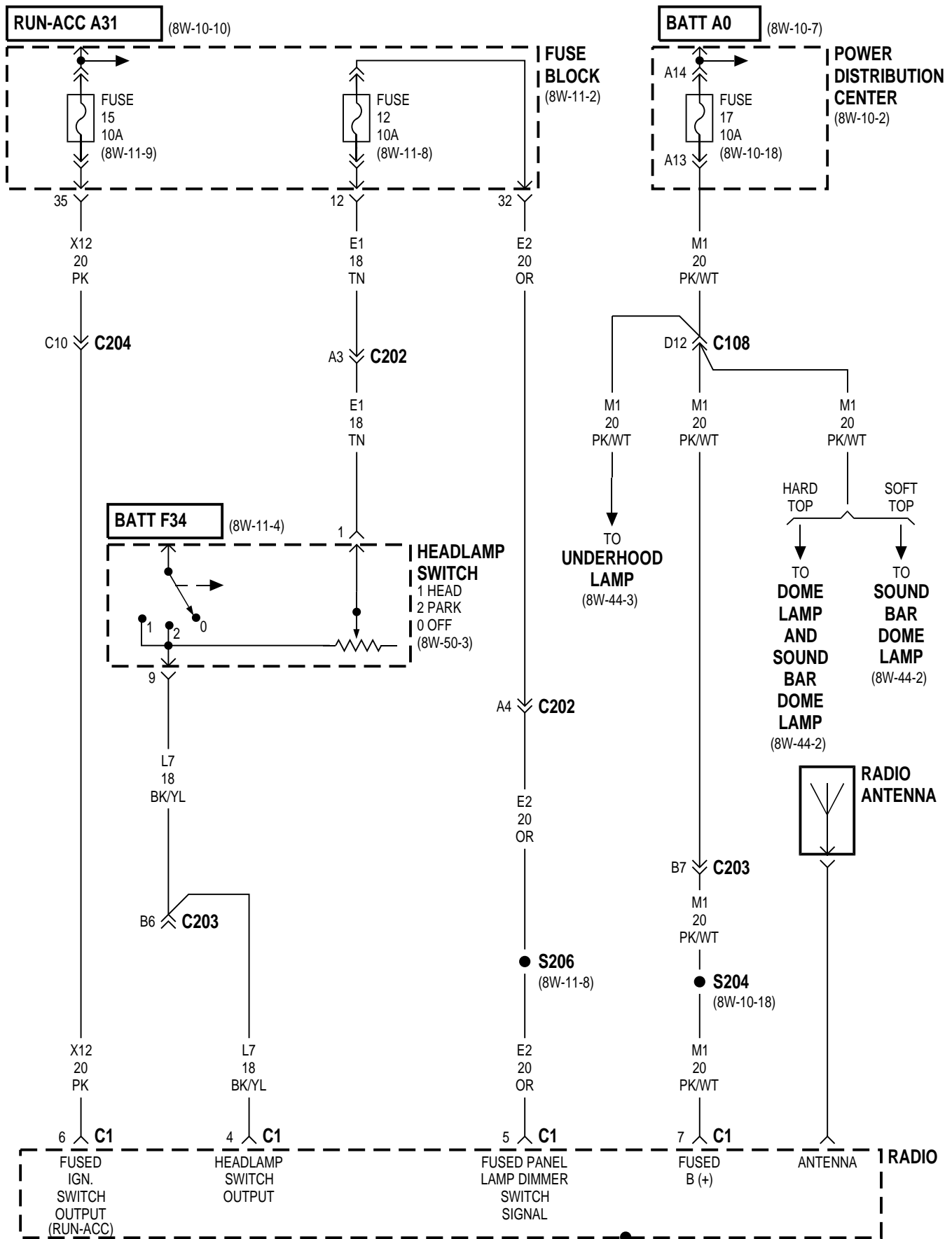


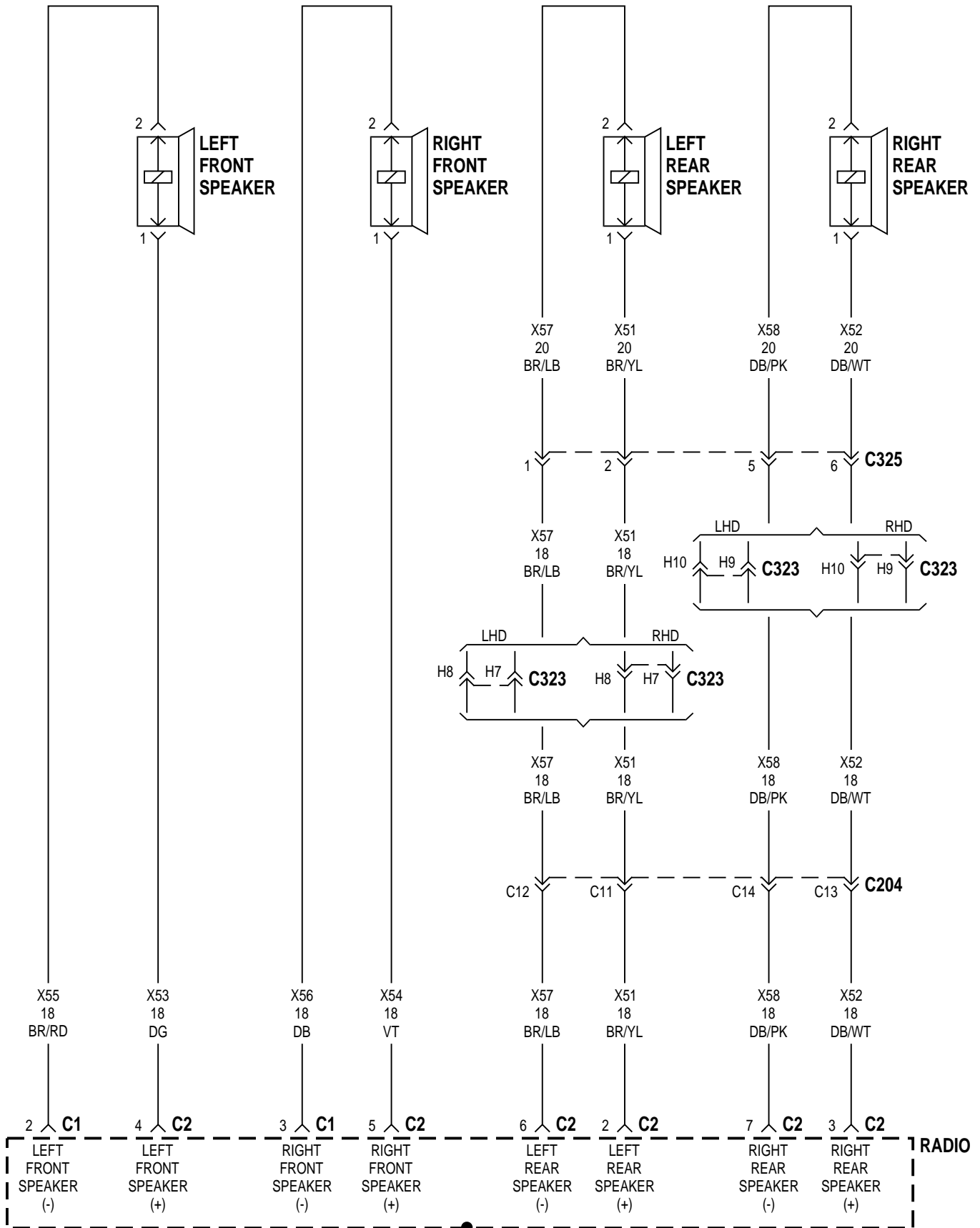




8W-47 AUDIO SYSTEMS

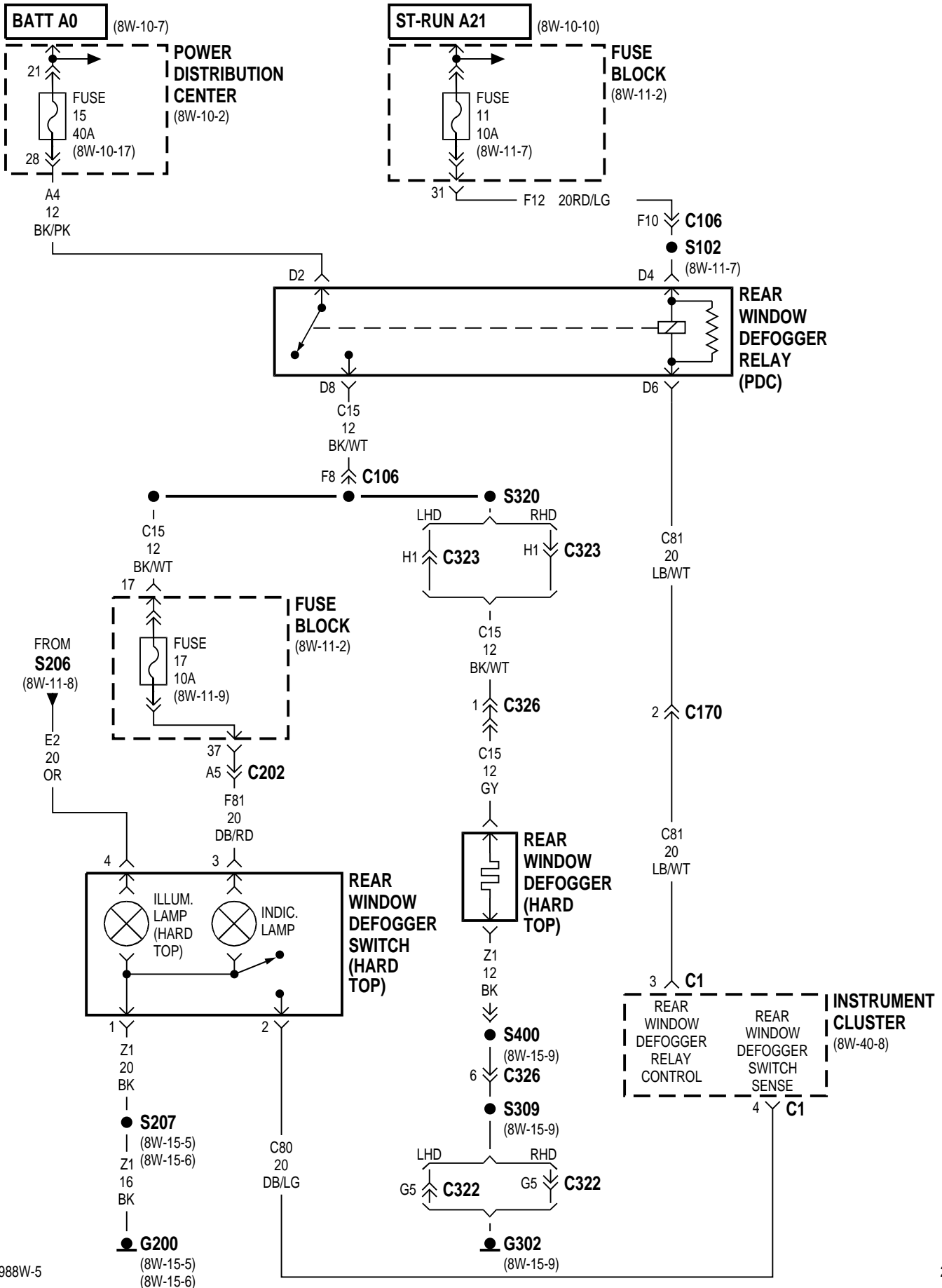
Component	Page	Component	Page
Dome Lamp And Sound Bar Dome Lamp . .	8W-47-2	Power Distribution Center	8W-47-2
Fuse 12 (FB)	8W-47-2	Radio	8W-47-2, 3
Fuse 15 (FB)	8W-47-2	Radio Antenna	8W-47-2
Fuse 17 (PDC)	8W-47-2	Right Front Speaker	8W-47-3
Fuse Block	8W-47-2	Right Rear Speaker	8W-47-3
Headlamp Switch	8W-47-2	Sound Bar Dome Lamp	8W-47-2
Left Front Speaker	8W-47-3	Underhood Lamp	8W-47-2
Left Rear Speaker	8W-47-3		





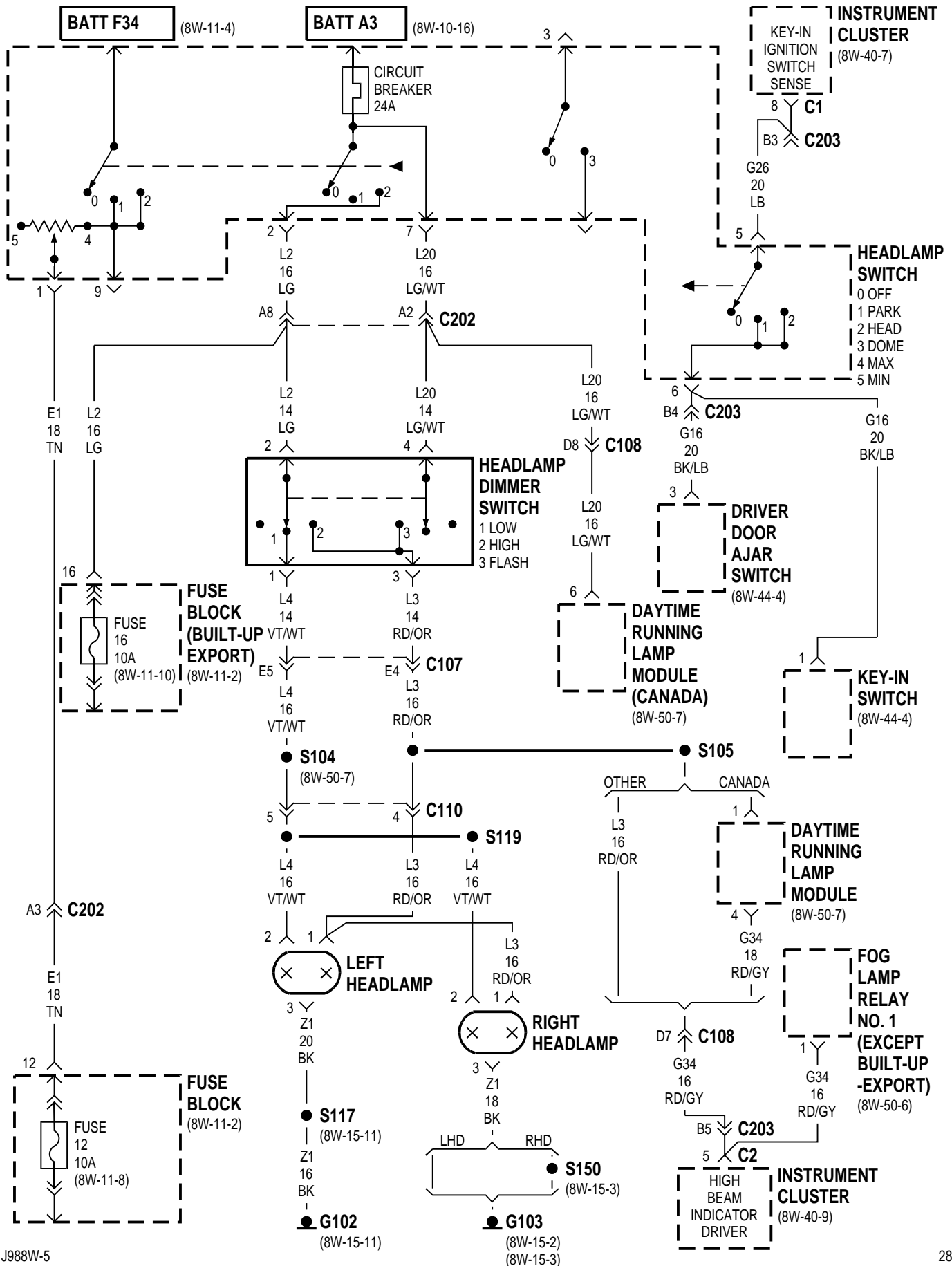
8W-48 REAR WINDOW DEFOGGER

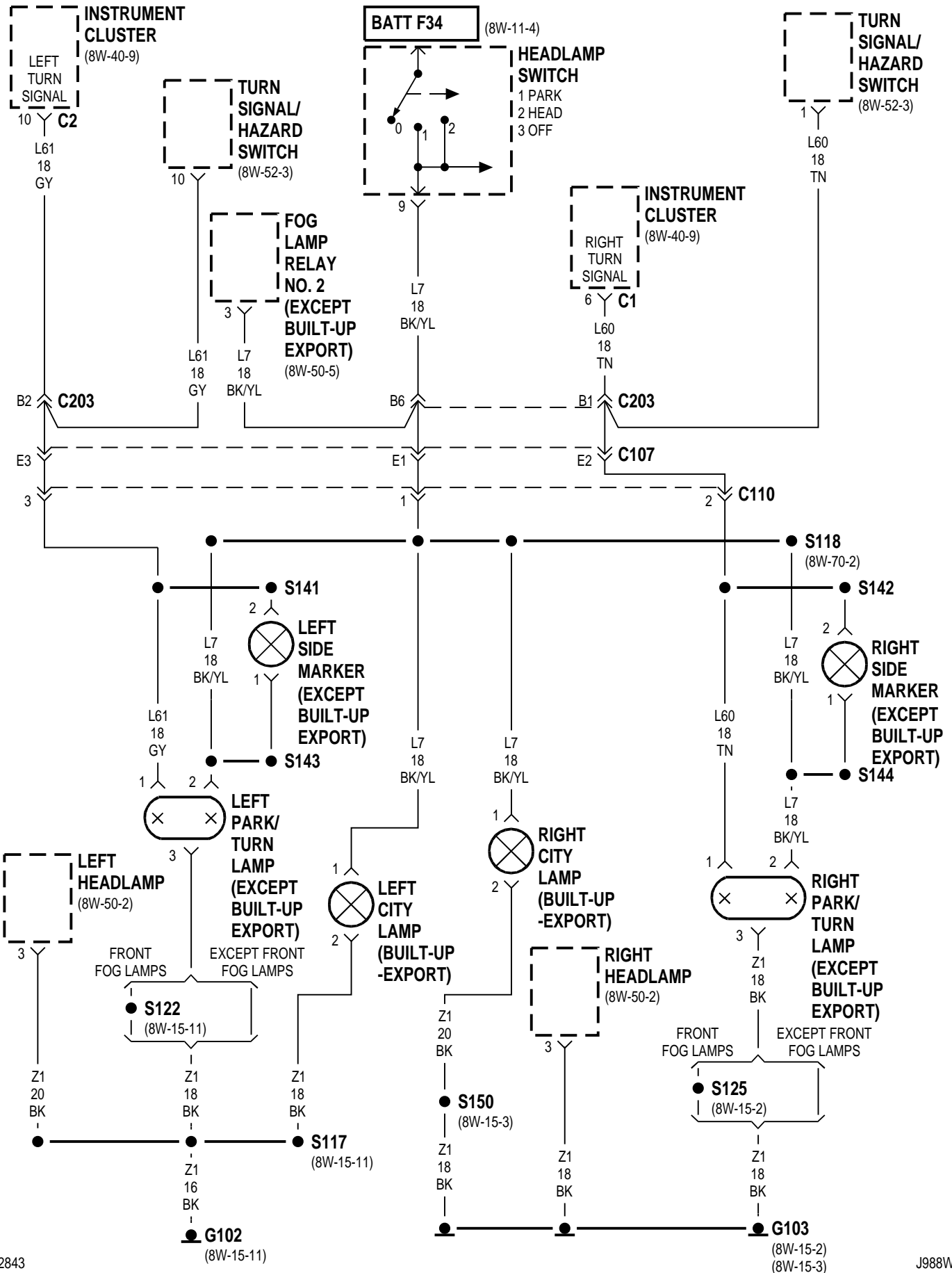
Component	Page	Component	Page
Fuse 11 (FB)	8W-48-2	Indic. Lamp	8W-48-2
Fuse 15 (PDC)	8W-48-2	Instrument Cluster	8W-48-2
Fuse 17 (FB)	8W-48-2	Power Distribution Center	8W-48-2
Fuse Block	8W-48-2	Rear Window Defogger	8W-48-2
G200	8W-48-2	Rear Window Defogger Relay	8W-48-2
G302	8W-48-2	Rear Window Defogger Switch	8W-48-2
Illum. Lamp	8W-48-2		

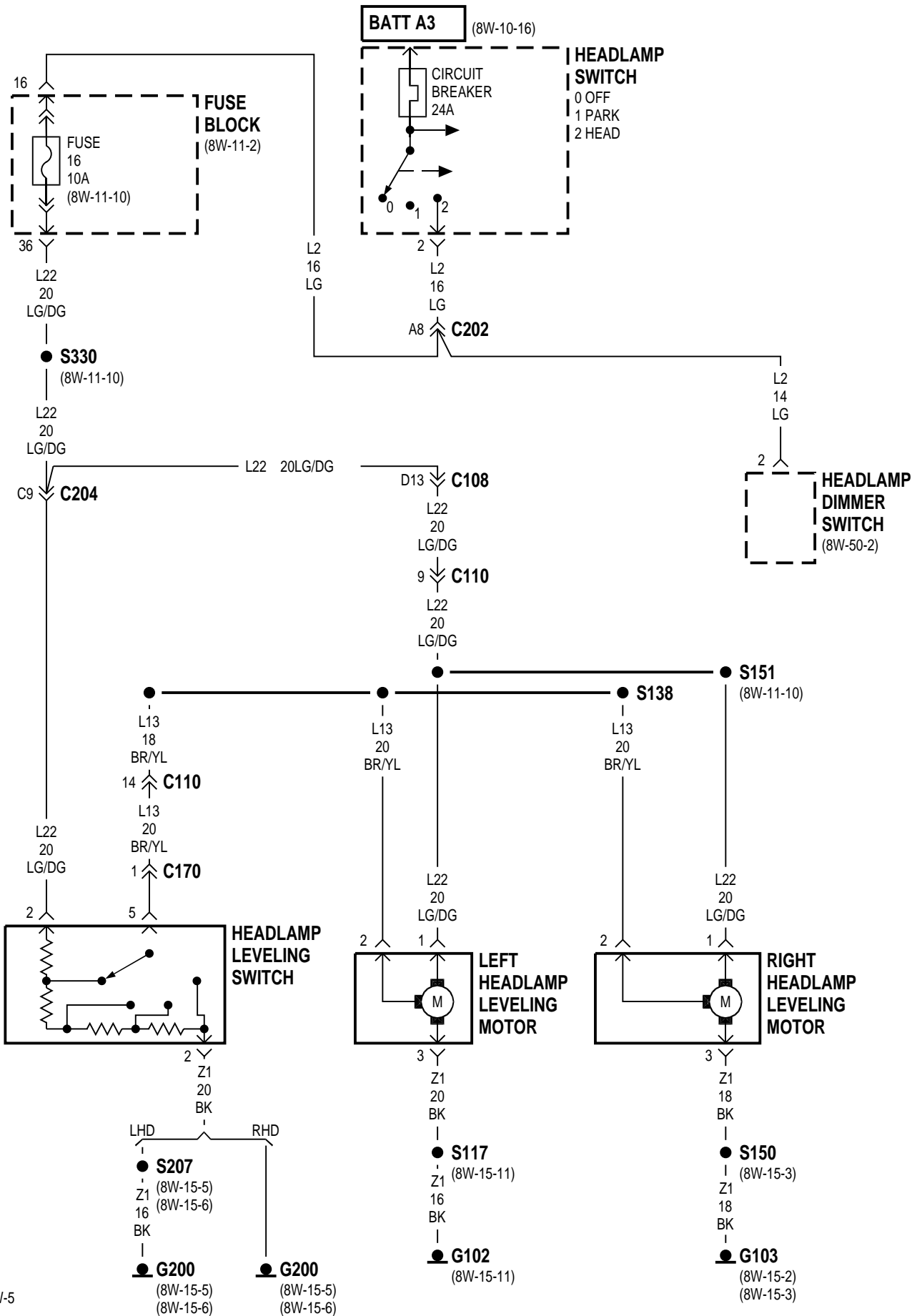


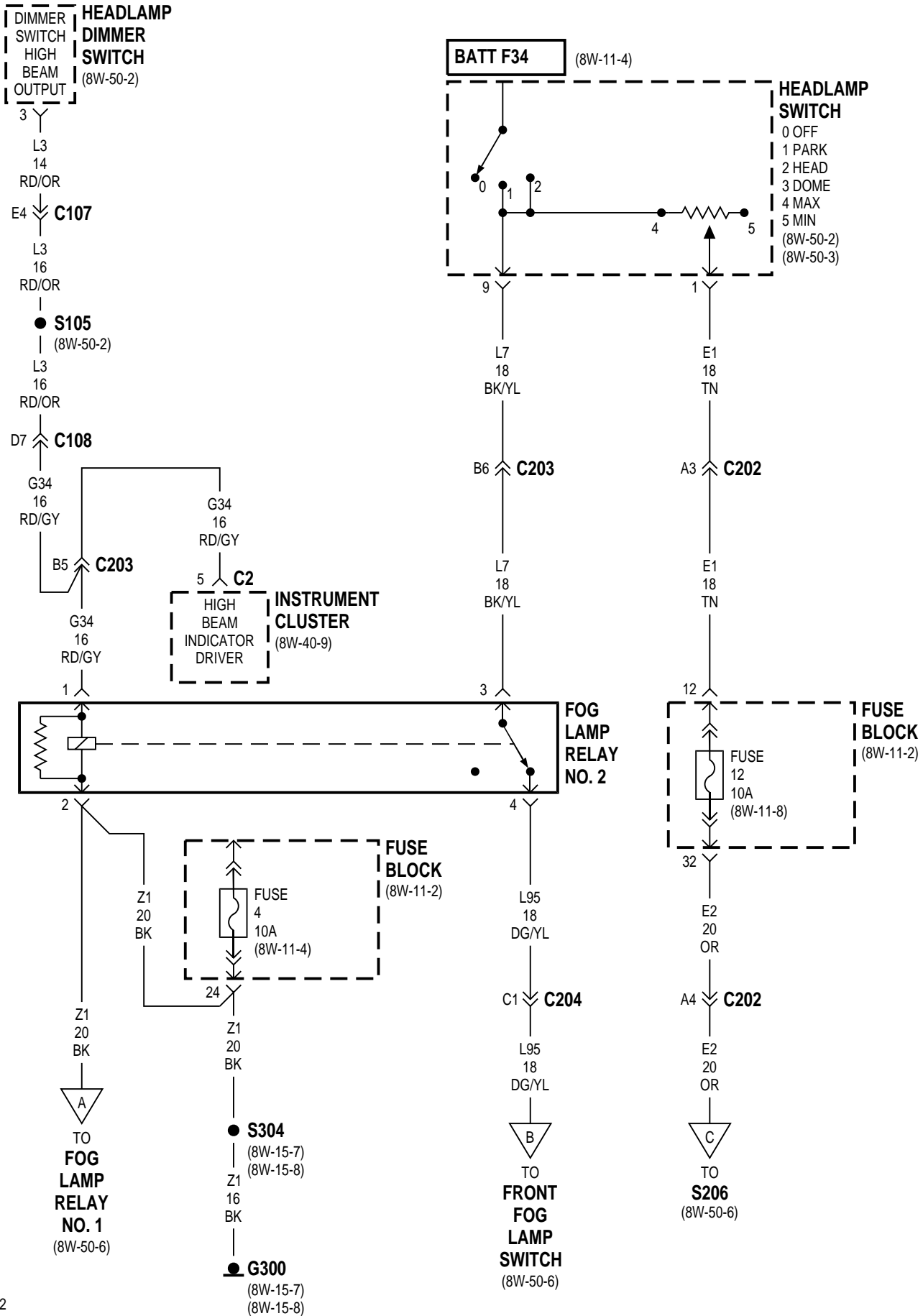
8W-50 FRONT LIGHTING

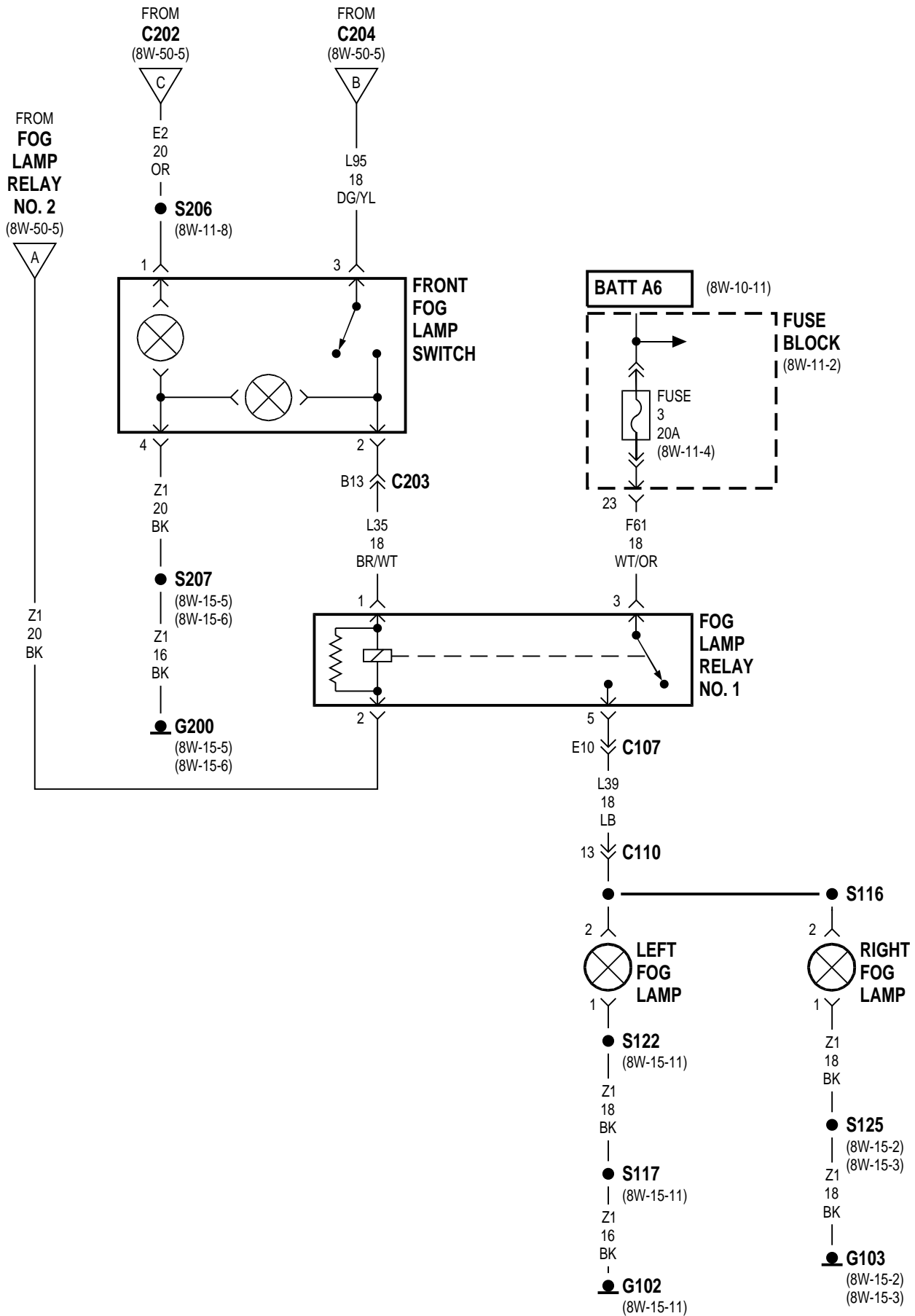
Component	Page	Component	Page
Circuit Breaker	8W-50-2, 4	Headlamp Switch.	8W-50-2, 3, 4, 5, 7
Daytime Running Lamp Module	8W-50-2, 7	Instrument Cluster	8W-50-2, 3, 5, 7
Driver Door Ajar Switch	8W-50-2	Key-In Switch	8W-50-2
Fog Lamp Relay No. 1	8W-50-2, 5, 6	Left City Lamp	8W-50-3
Fog Lamp Relay No. 2	8W-50-3, 5, 6, 7	Left Fog Lamp.	8W-50-6
Front Fog Lamp Switch.	8W-50-5, 6	Left Headlamp.	8W-50-2, 3, 7
Fuse 3 (FB)	8W-50-6	Left Headlamp Leveling Motor	8W-50-4
Fuse 4 (FB)	8W-50-5	Left Park/Turn Lamp	8W-50-3
Fuse 11 (FB)	8W-50-7	Left Side Marker	8W-50-3
Fuse 12 (FB)	8W-50-2, 5	Powertrain Control Module	8W-50-7
Fuse 16 (FB)	8W-50-4	Right City Lamp	8W-50-3
Fuse Block.	8W-50-2, 4, 5, 6, 7	Right Fog Lamp	8W-50-6
G100	8W-50-7	Right Headlamp	8W-50-2, 3, 7
G102	8W-50-2, 3, 4, 6	Right Headlamp Leveling Motor	8W-50-4
G103	8W-50-2, 3, 4, 6	Right Park/Turn Lamp	8W-50-3
G200	8W-50-4, 6	Right Side Marker.	8W-50-3
G300	8W-50-5	Turn Signal/Hazard Switch.	8W-50-3
Headlamp Dimmer Switch.	8W-50-2, 4, 5, 7	Vehicle Speed Sensor.	8W-50-7
Headlamp Leveling Switch	8W-50-4		

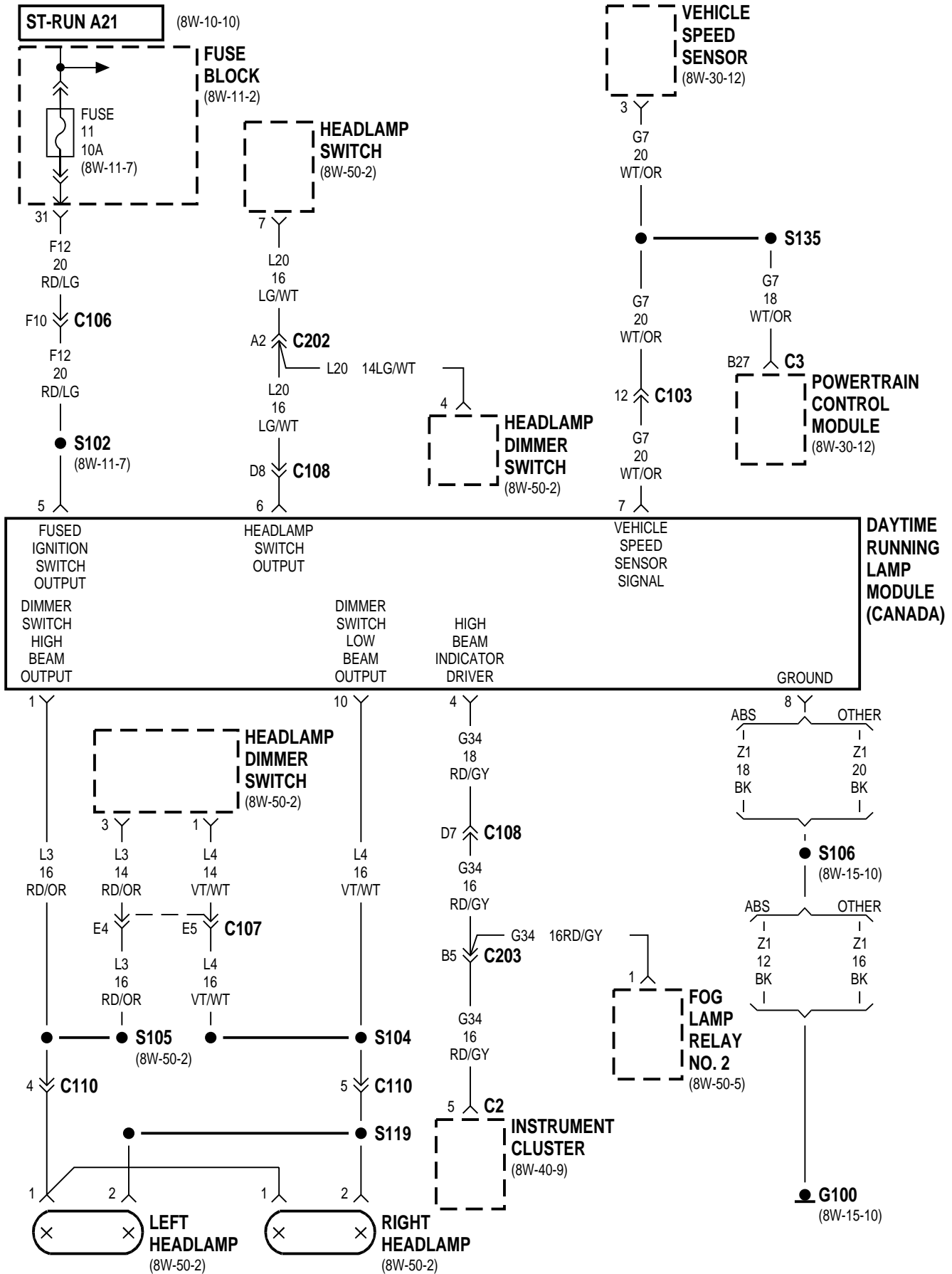






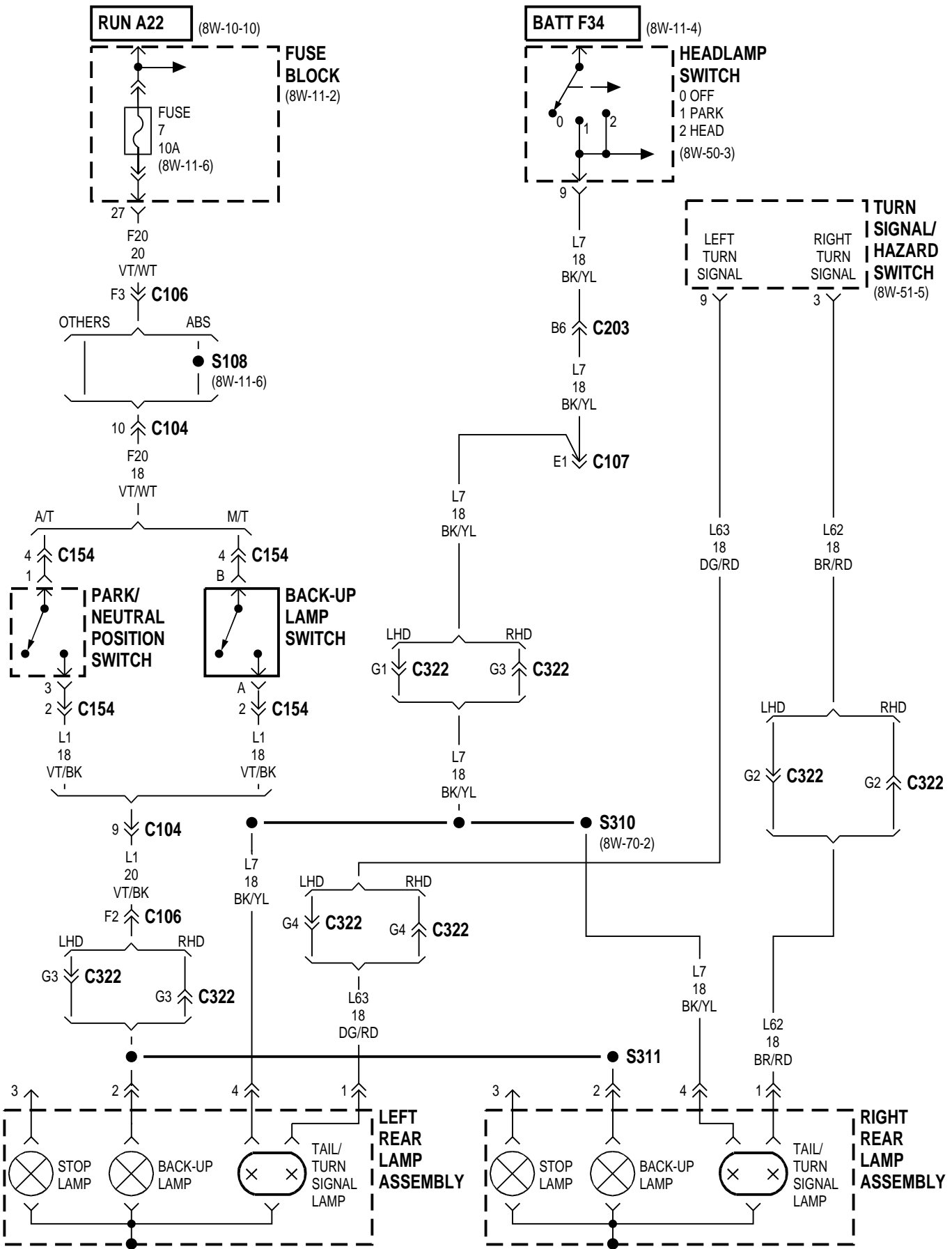


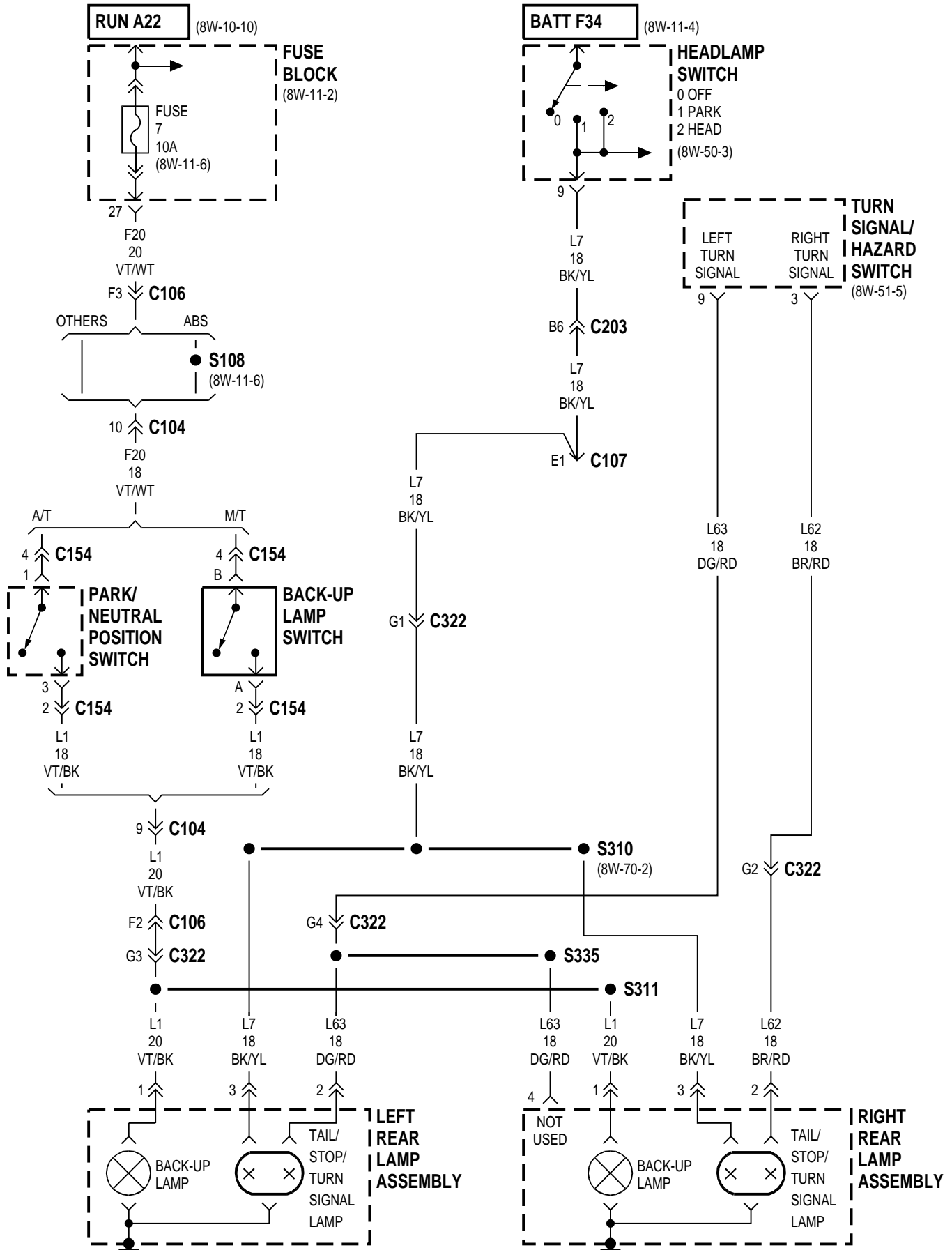


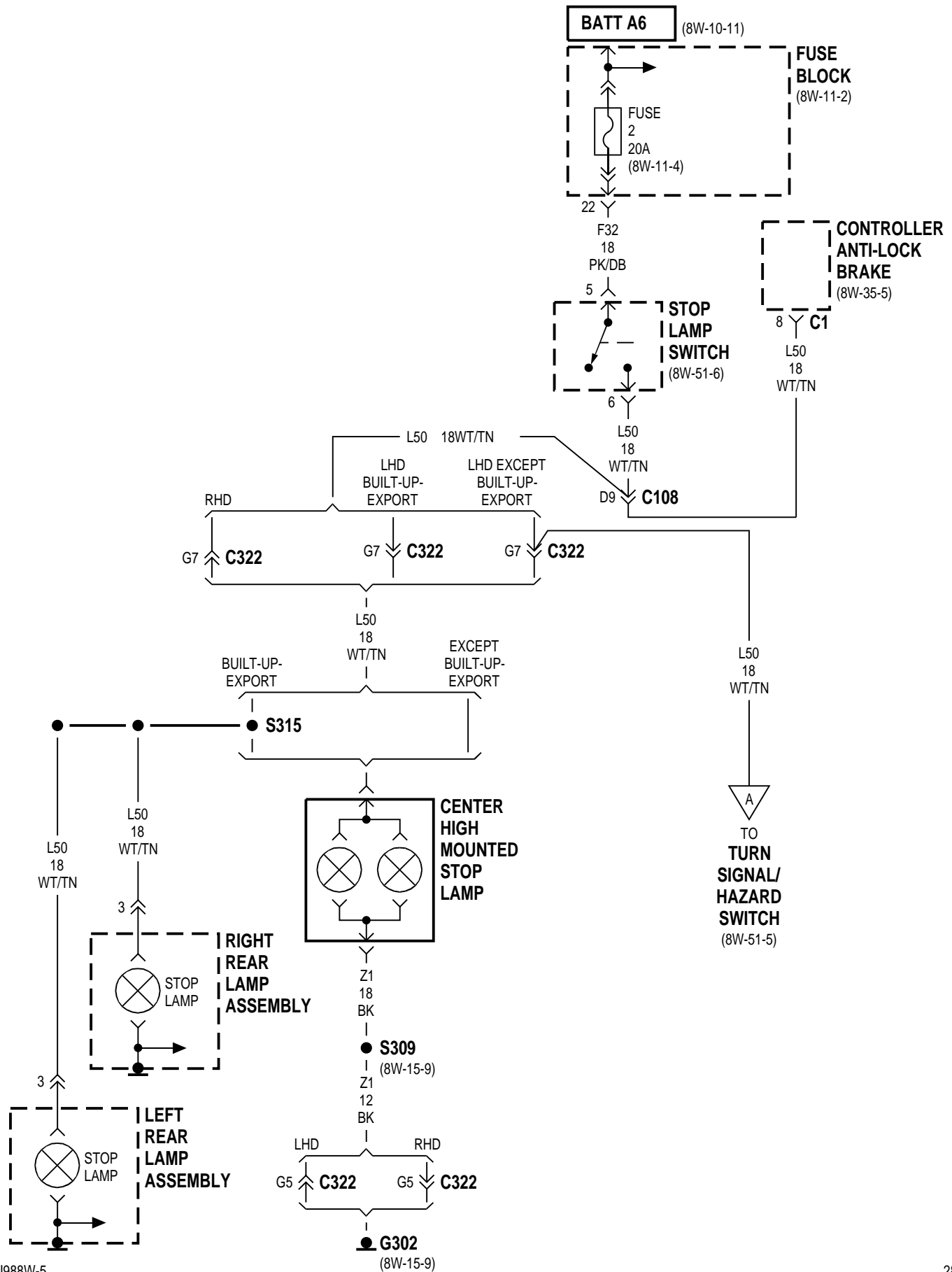


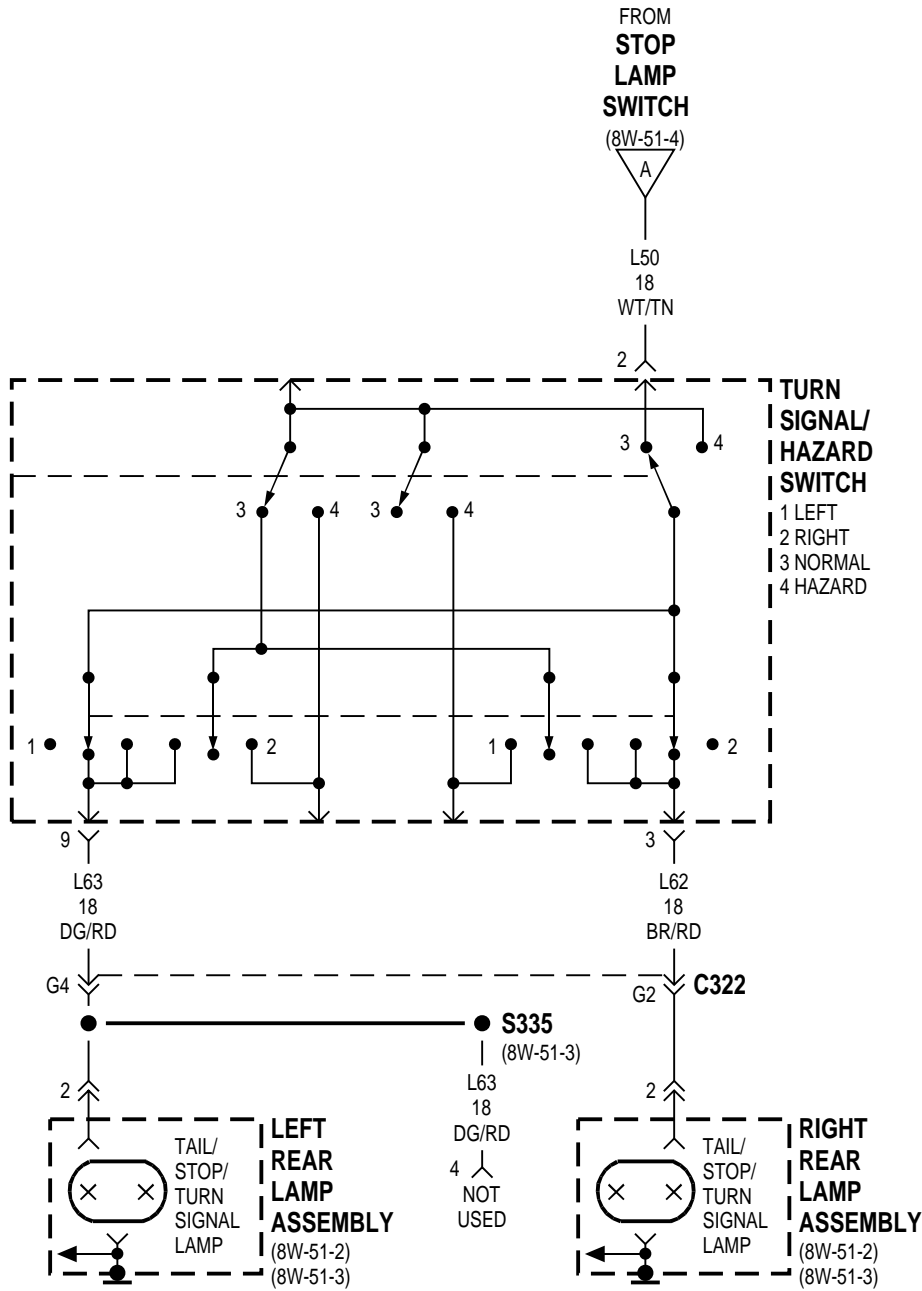
8W-51 REAR LIGHTING

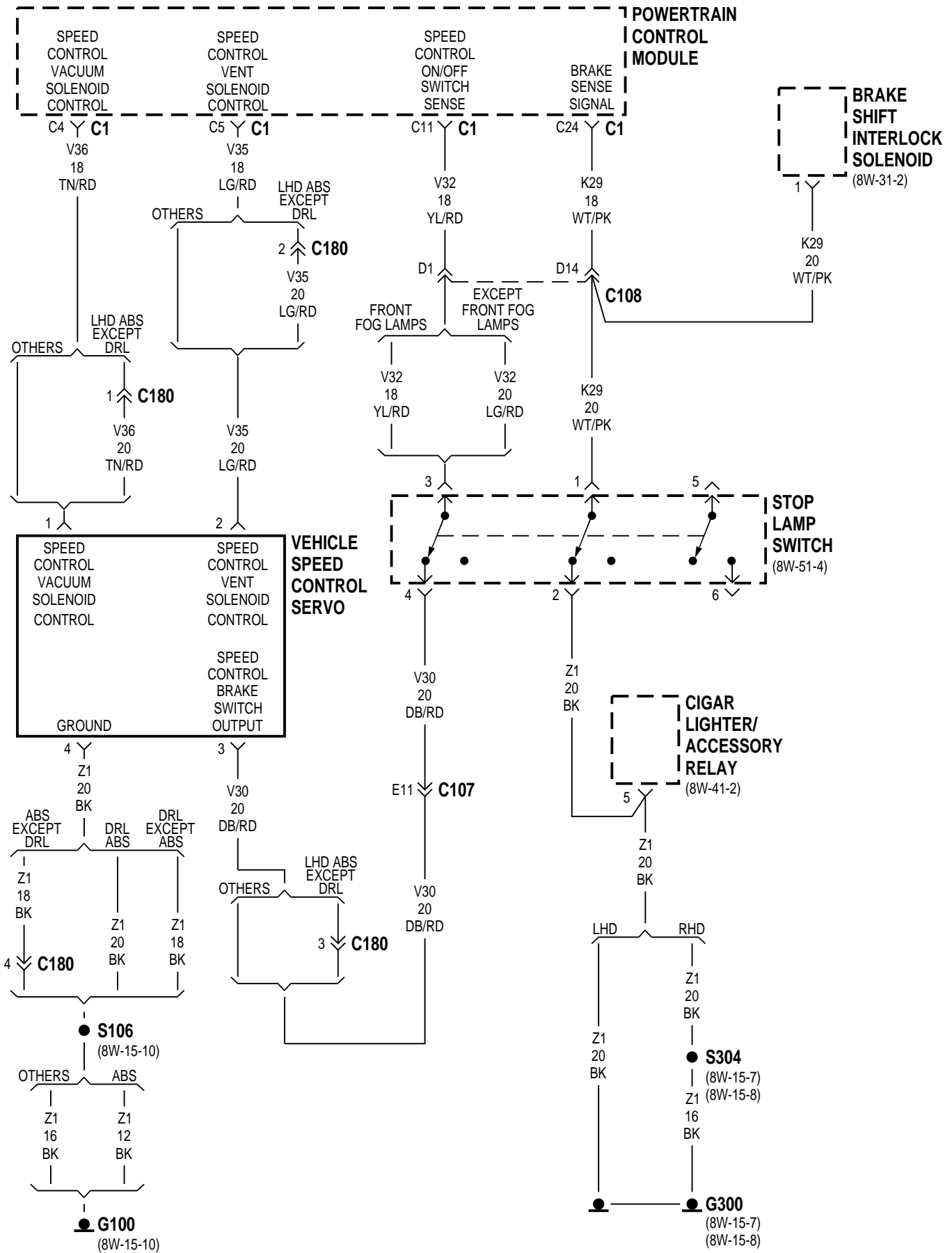
Component	Page	Component	Page
Back-Up Lamp	.8W-51-2, 3	G302	.8W-51-4, 7, 8
Back-Up Lamp Switch	.8W-51-2, 3	Headlamp Dimmer Switch	.8W-51-7, 8
Brake Shift Interlock Solenoid	.8W-51-6	Headlamp Switch	.8W-51-2, 3, 7, 8
Center High Mounted Stop Lamp	.8W-51-4	Left License Lamp	.8W-51-7, 8
Cigar Lighter/Accessory Relay	.8W-51-6	Left Rear Lamp Assembly	.8W-51-2, 3, 4, 5
Circuit Breaker	.8W-51-7, 8	Park/Neutral Position Switch	.8W-51-2, 3
Controller Anti-Lock Brake	.8W-51-4	Powertrain Control Module	.8W-51-6
Fog Lamp Illum.	.8W-51-7, 8	Rear Fog Lamp	.8W-51-7, 8
Fog Lamp Indic.	.8W-51-7, 8	Rear Fog Lamp Relay	.8W-51-7, 8
Fuse 2 (FB)	.8W-51-4	Rear Fog Lamp Switch	.8W-51-7, 8
Fuse 4 (FB)	.8W-51-7, 8	Right License Lamp	.8W-51-7, 8
Fuse 7 (FB)	.8W-51-2, 3	Right Rear Lamp Assembly	.8W-51-2, 3, 4, 5
Fuse 12 (FB)	.8W-51-7, 8	Stop Lamp	.8W-51-2, 4
Fuse 16 (FB)	.8W-51-7, 8	Stop Lamp Switch	.8W-51-4, 5, 6
Fuse Block	.8W-51-2, 3, 4, 7, 8	Tail/Stop/Turn Signal Lamp	.8W-51-3, 5
G100	.8W-51-6	Tail/Turn Signal Lamp	.8W-51-2
G200	.8W-51-7, 8	Turn Signal/Hazard Switch	.8W-51-2, 3, 4, 5
G300	.8W-51-6, 7, 8	Vehicle Speed Control Servo	.8W-51-6

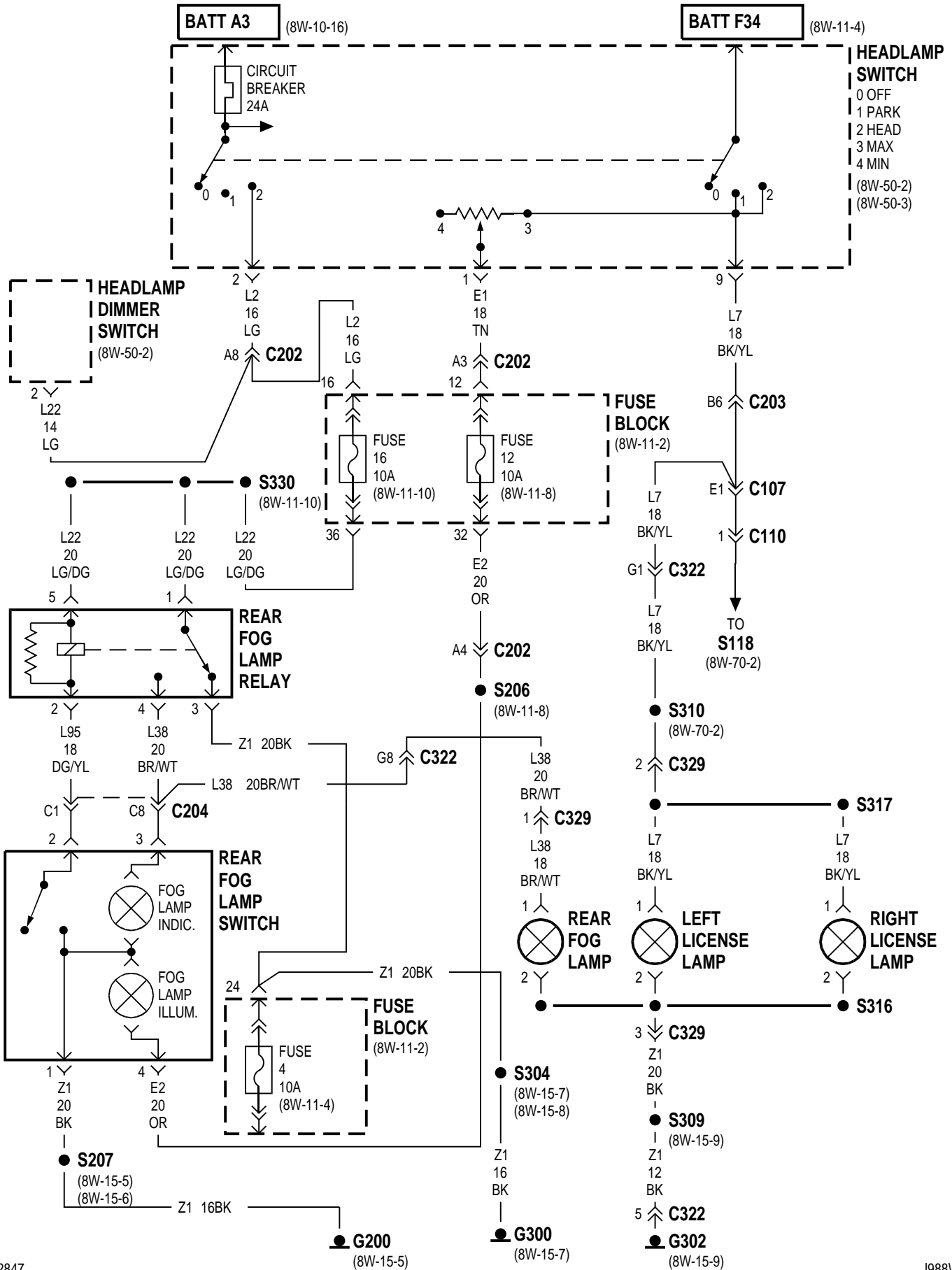


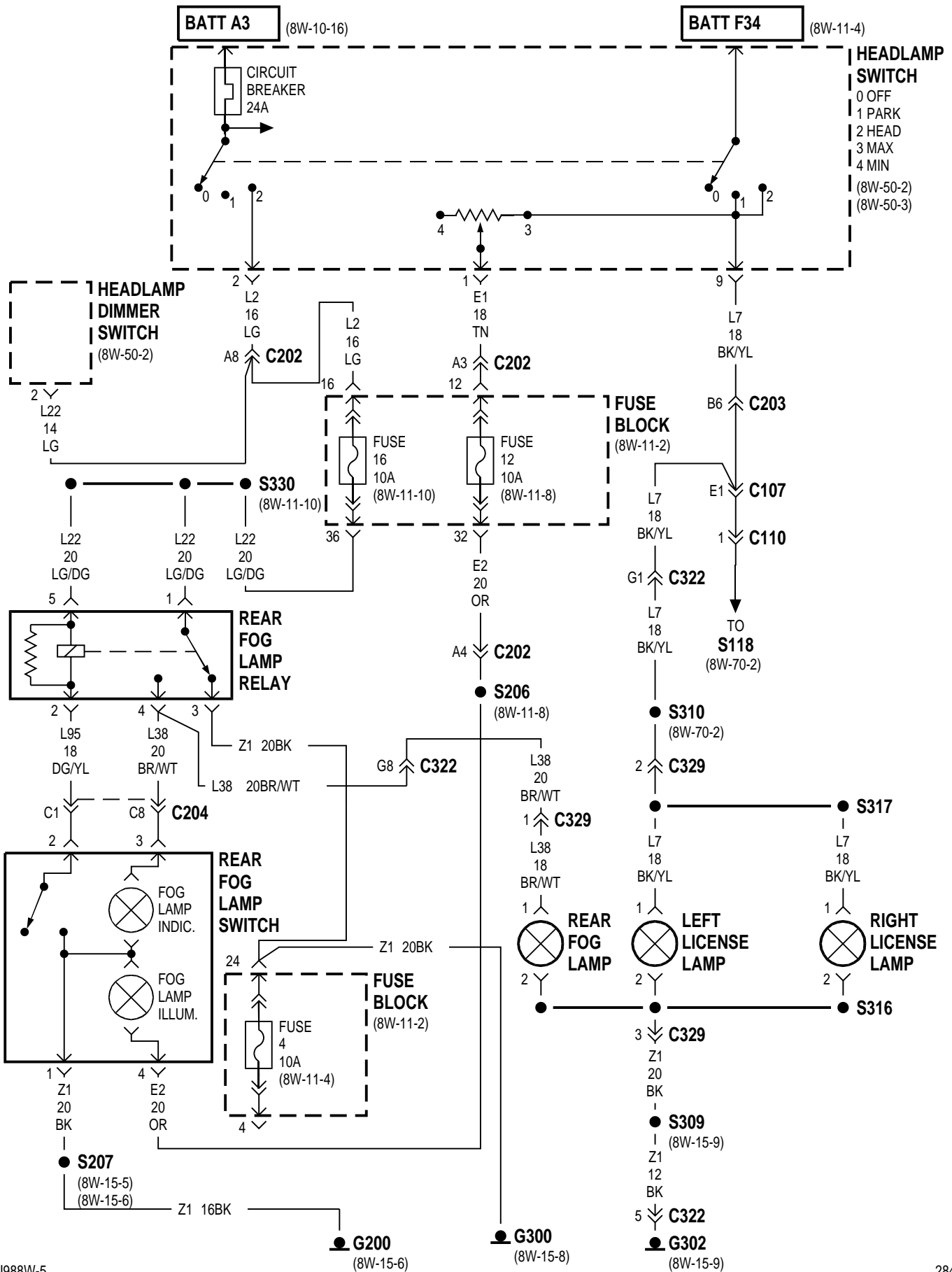






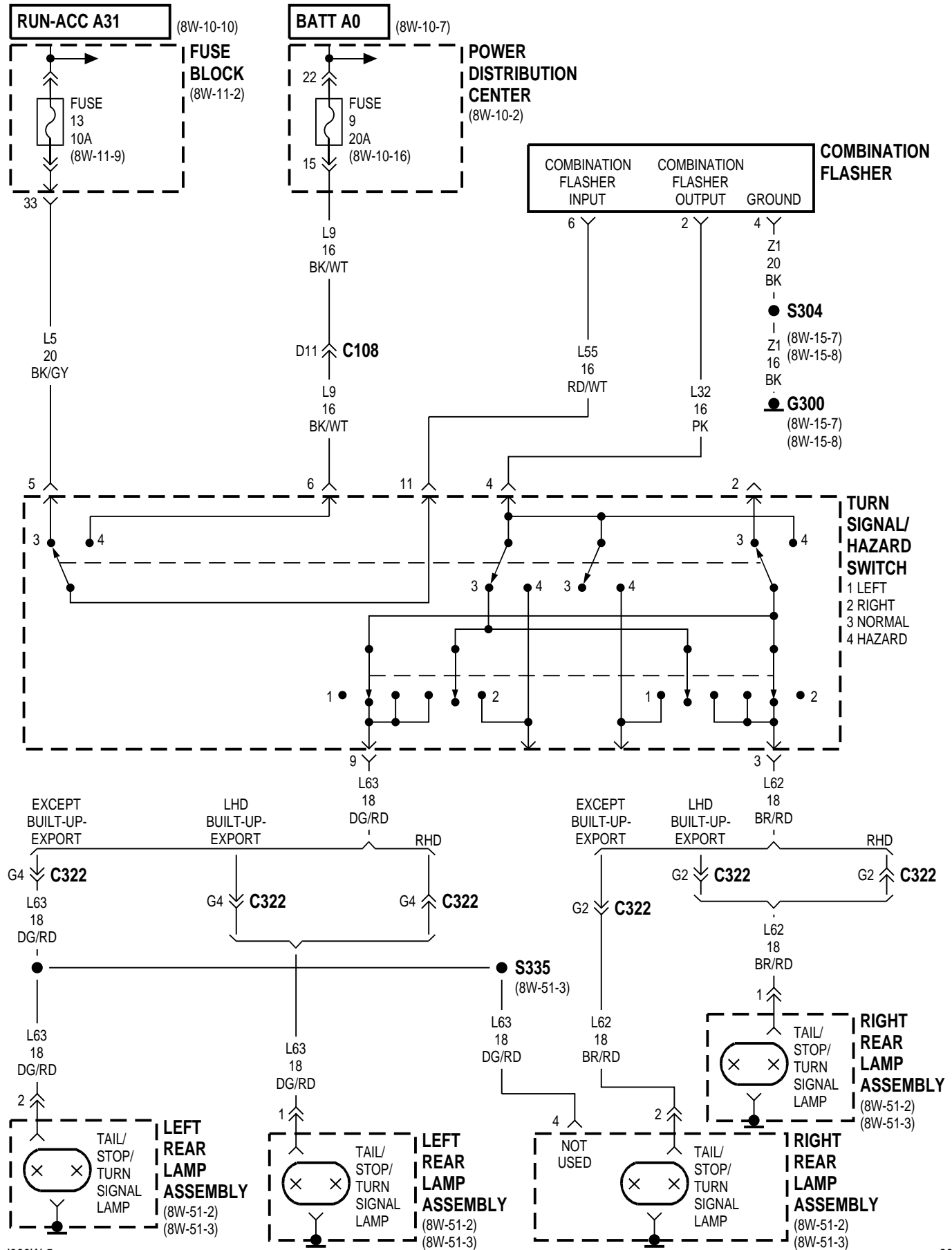


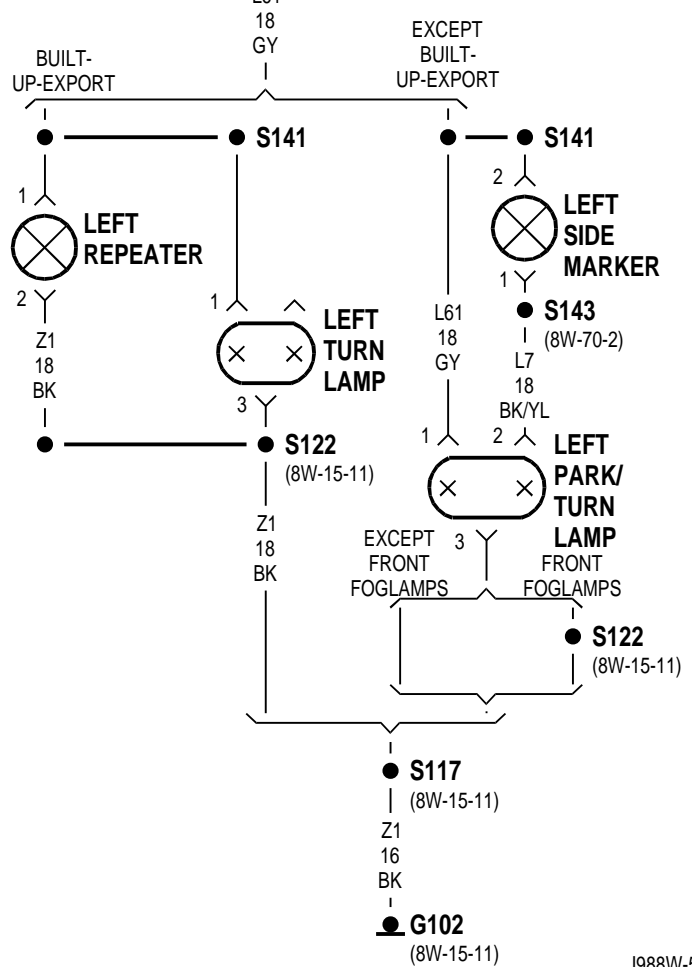
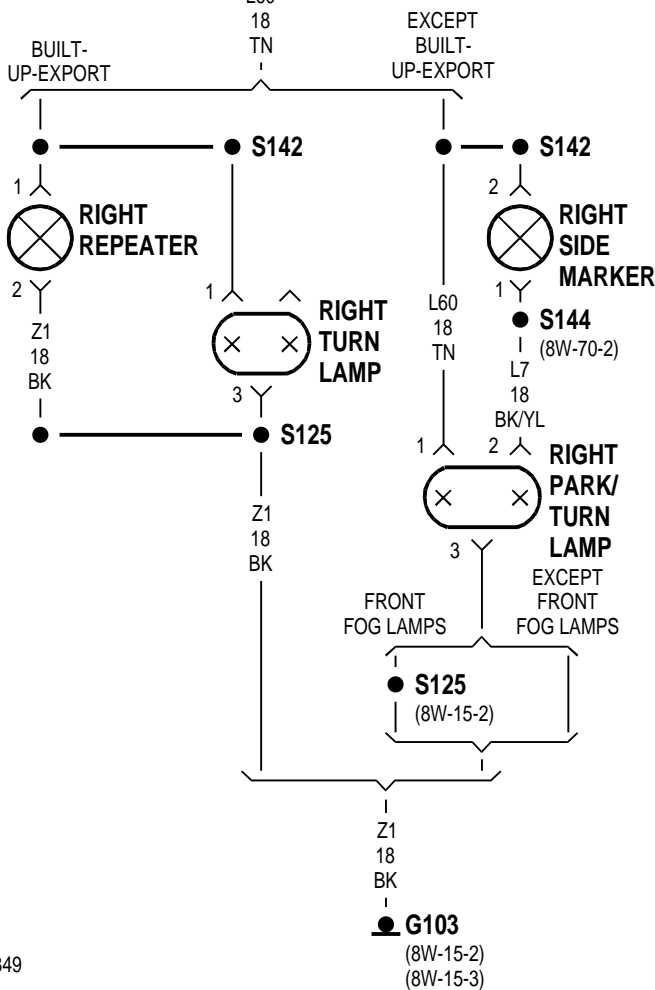
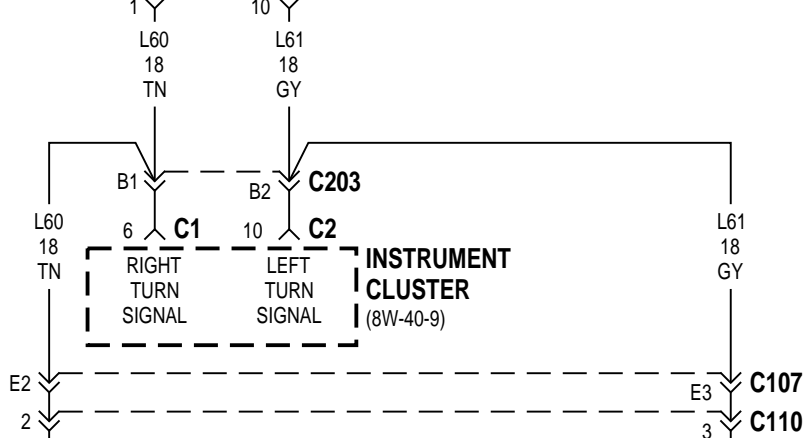
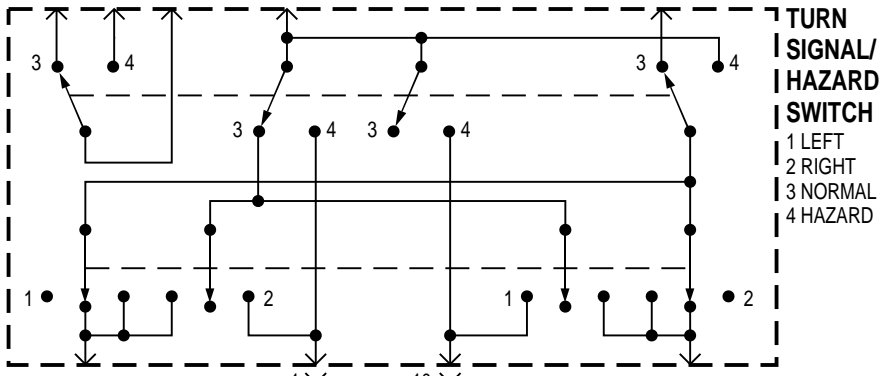




8W-52 TURN SIGNALS

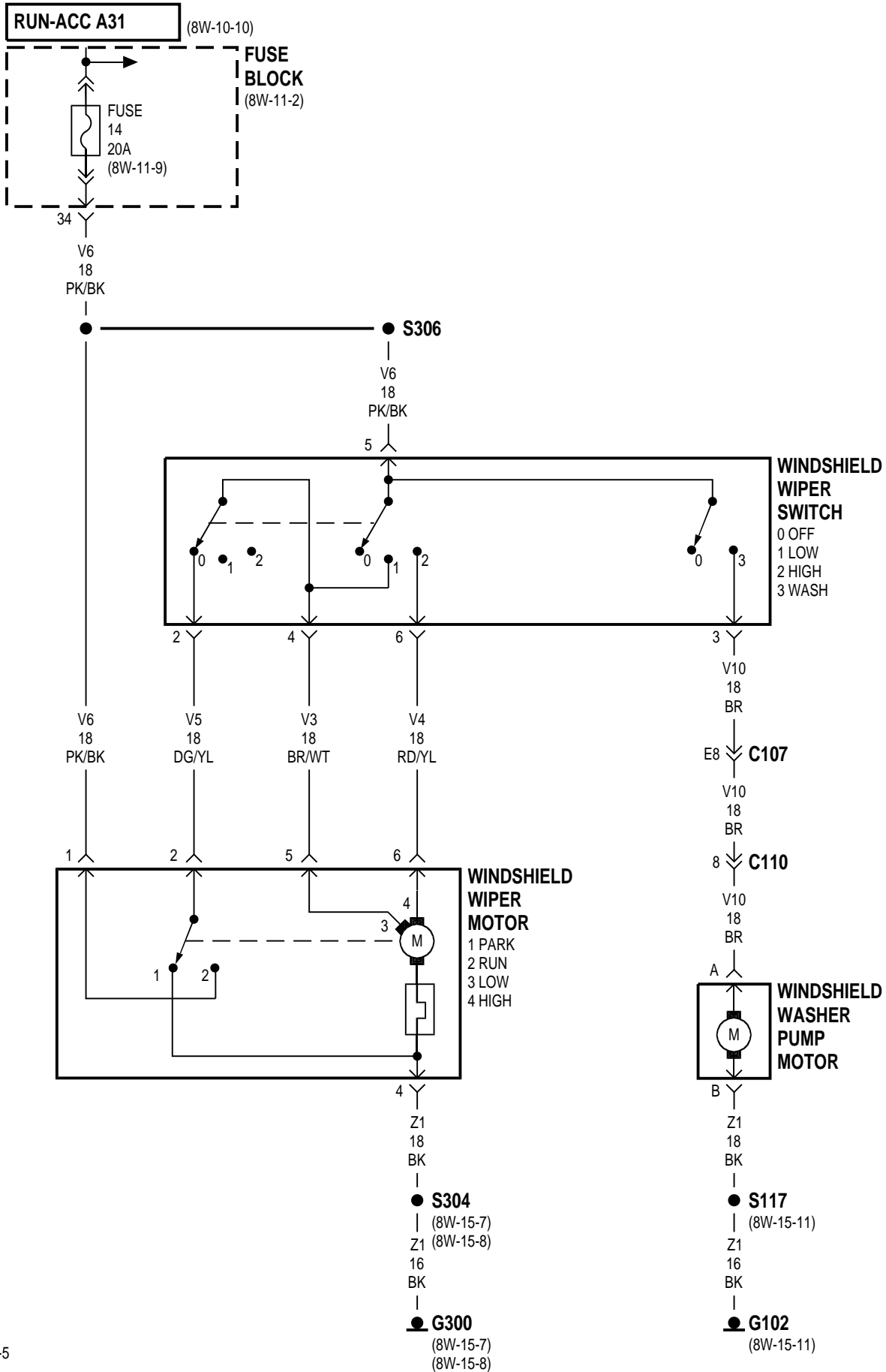
Component	Page	Component	Page
Combination Flasher	8W-52-2	Left Side Marker	8W-52-3
Fuse 9 (PDC)	8W-52-2	Left Turn Lamp	8W-52-3
Fuse 13 (FB)	8W-52-2	Power Distribution Center	8W-52-2
Fuse Block	8W-52-2	Right Park/Turn Lamp	8W-52-3
G102	8W-52-3	Right Rear Lamp Assembly	8W-52-2
G103	8W-52-3	Right Repeater	8W-52-3
G300	8W-52-2	Right Side Marker	8W-52-3
Instrument Cluster	8W-52-3	Right Turn Lamp	8W-52-3
Left Park/Turn Lamp	8W-52-3	Tail/Stop/Turn Signal Lamp	8W-52-2
Left Rear Lamp Assembly	8W-52-2	Turn Signal/Hazard Switch	8W-52-2, 3
Left Repeater	8W-52-3		

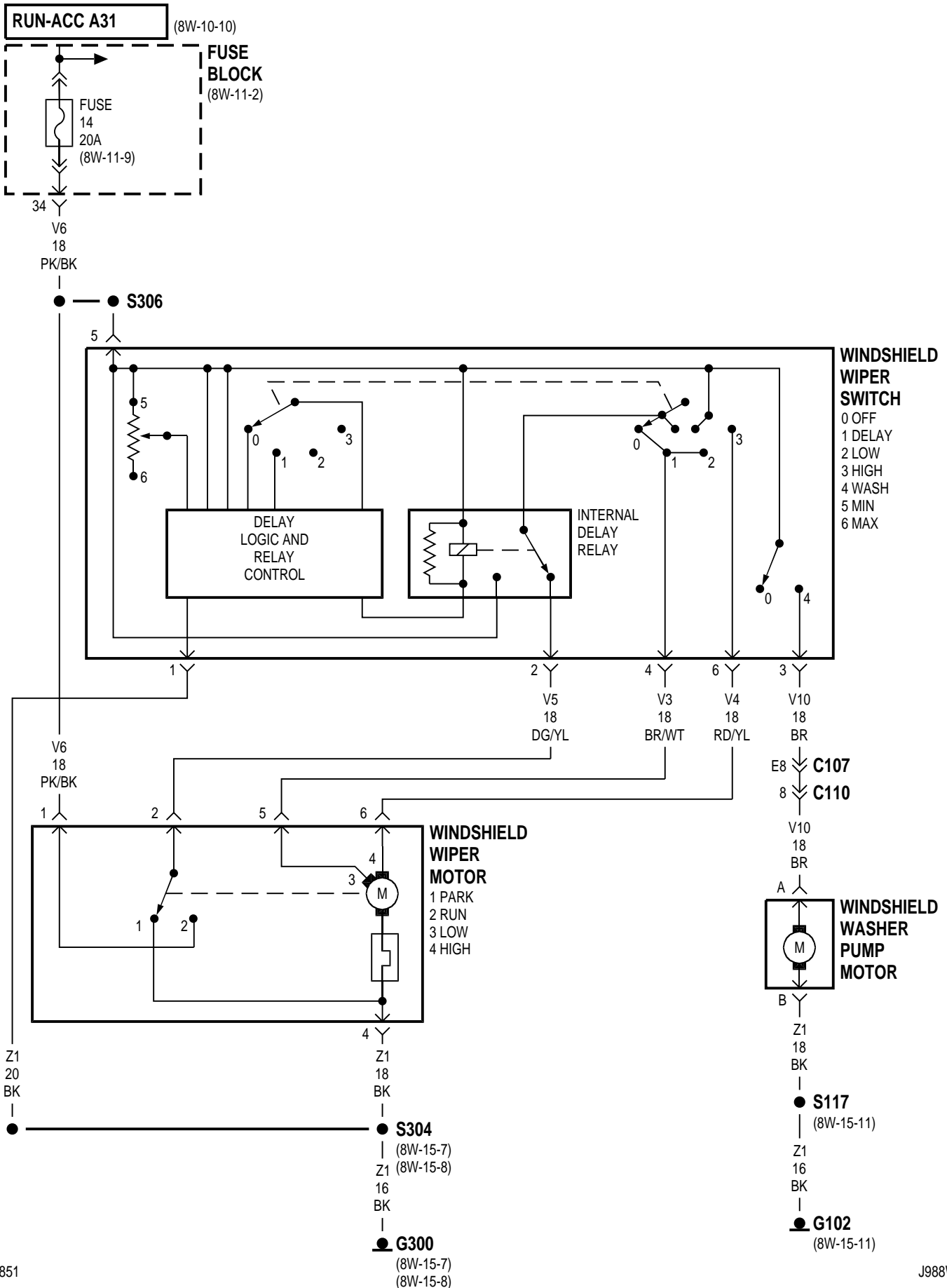




8W-53 WIPERS

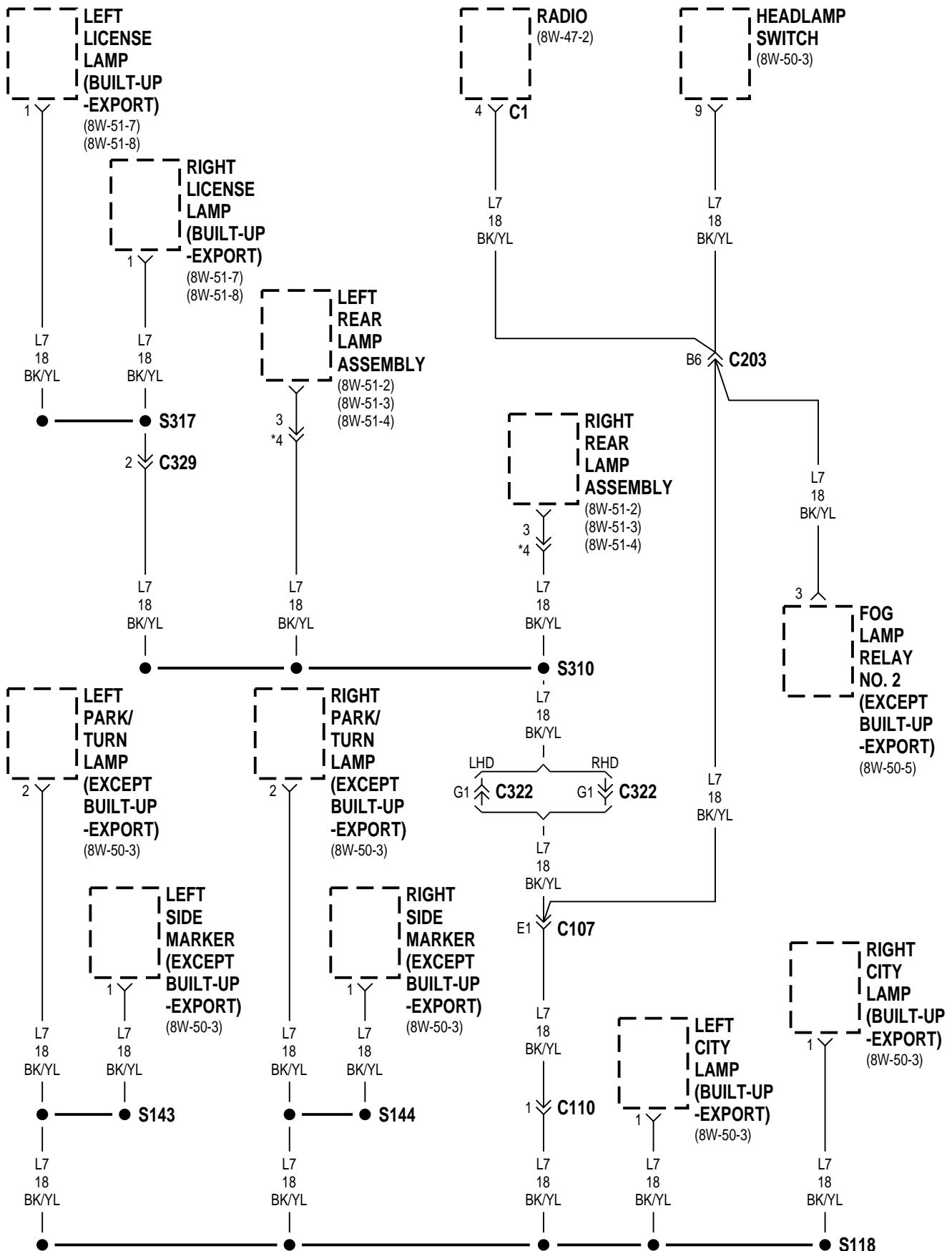
Component	Page	Component	Page
Fuse 6 (FB)	8W-53-4	Headlamp Switch	8W-53-4
Fuse 12 (FB)	8W-53-4	Internal Delay Relay	8W-53-3
Fuse 14 (FB)	8W-53-2	Rear Washer Pump Motor	8W-53-4
Fuse 14 (FB)	8W-53-3	Rear Wiper Motor	8W-53-4
Fuse Block	8W-53-2, 3, 4	Rear Wiper/Washer Switch	8W-53-4
G102	8W-53-2, 3	Windshield Washer Pump Motor	8W-53-2, 3
G200	8W-53-4	Windshield Wiper Motor	8W-53-2, 3
G300	8W-53-2, 3	Windshield Wiper Switch	8W-53-2, 3
G302	8W-53-4		



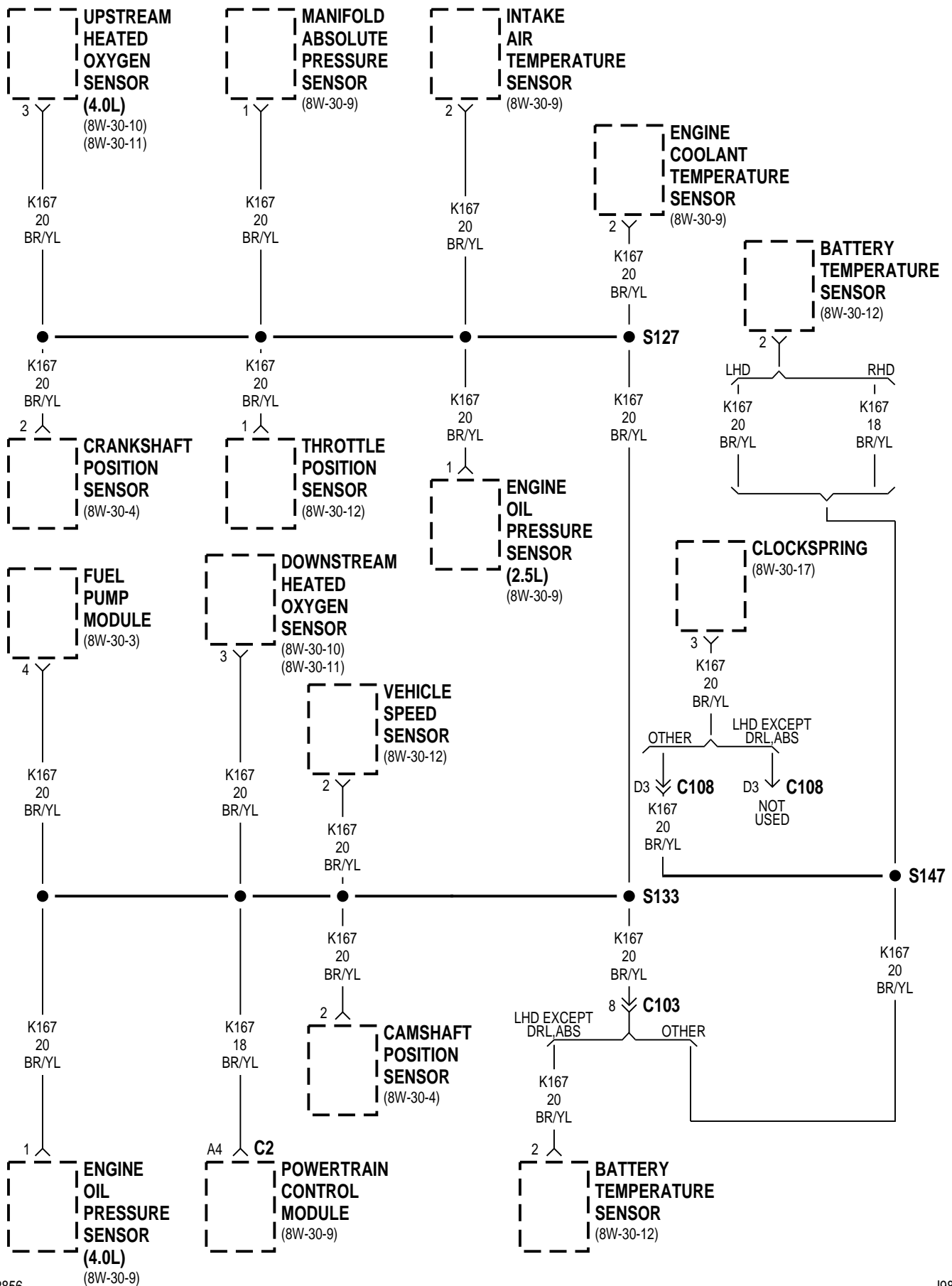


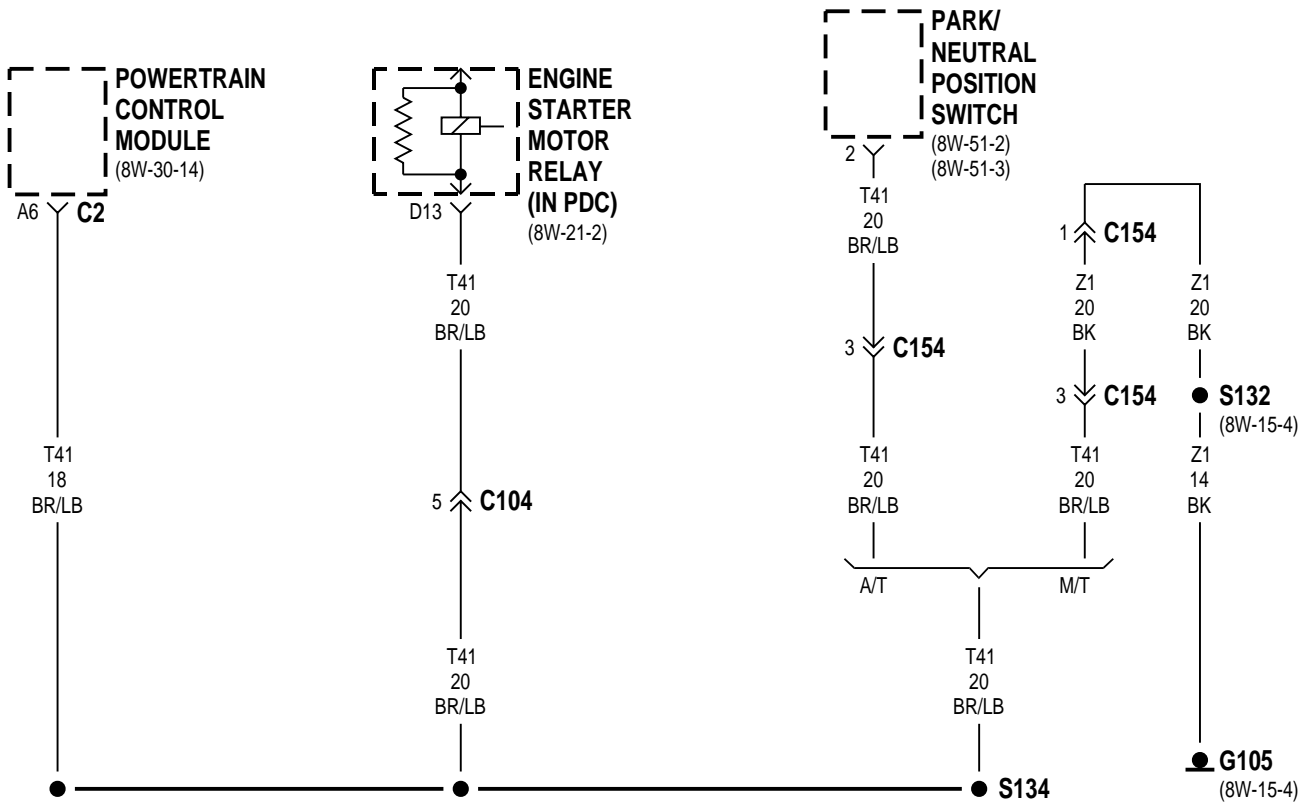
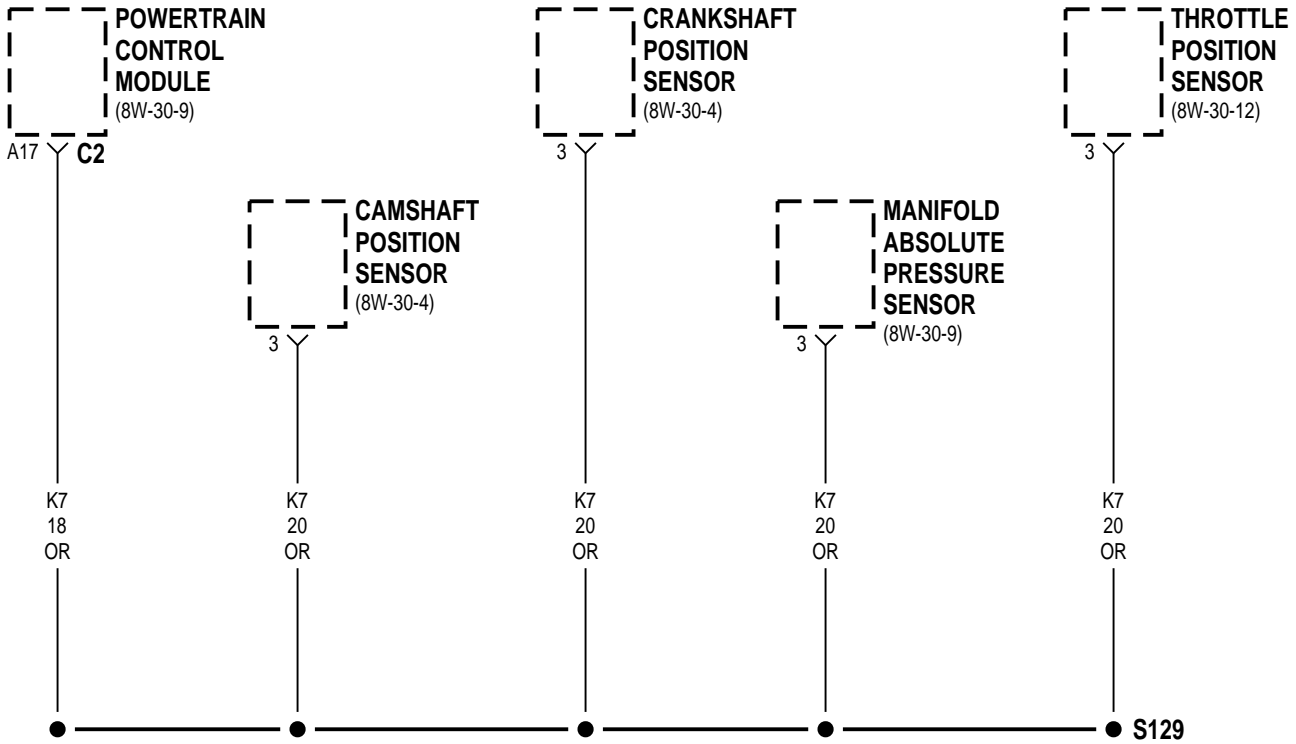
8W-70 SPLICE INFORMATION

Component	Page	Component	Page
S101.....	8W-10-12, 13	S143	8W-50-3
S102	8W-11-7	S144	8W-50-3
S103	8W-30-14	S146	8W-10-20
S104	8W-50-7	S147	8W-30-17
S105	8W-50-2	S150	8W-15-3
S106	8W-15-10	S151	8W-11-10
S108	8W-11-6	S202	8W-44-4
S109	8W-15-10	S204	8W-10-18
S110	8W-10-20	S206	8W-11-8
S112	8W-10-20	S207	8W-15-5, 6
S114	8W-10-20	S209	8W-15-5, 6
S115	8W-10-19	S301	8W-44-4
S116	8W-50-6	S302	8W-30-16
S117.....	8W-15-11	S303	8W-30-16
S118	8W-70-2	S304	8W-15-7, 8
S119	8W-50-2, 7	S306	8W-53-2, 3
S122	8W-15-11	S307	8W-10-10
S125	8W-15-2, 3	S309	8W-15-9
S126.....	8W-10-12, 15	S310	8W-70-2
S127	8W-70-3	S311	8W-51-2, 3
S128.....	8W-10-13, 14	S313	8W-10-18
S129	8W-70-4	S314	8W-44-2
S130	8W-15-4	S315	8W-35-5
S131	8W-11-7	S316	8W-51-7, 8
S132	8W-15-4	S317	8W-51-7, 8
S133	8W-70-3	S320	8W-10-17
S134	8W-15-4	S330	8W-11-10
S135	8W-30-12	S331	8W-10-9
S136	8W-10-7	S332	8W-10-11
S138	8W-50-4	S335	8W-51-3
S140	8W-41-2	S400	8W-15-9
S141	8W-40-9	S401	8W-11-5
S142	8W-40-9		



* BUILT-UP-EXPORT



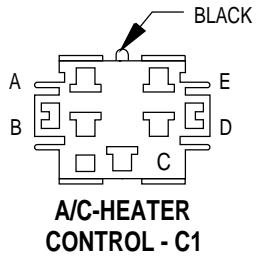


8W-80 CONNECTOR PIN-OUTS

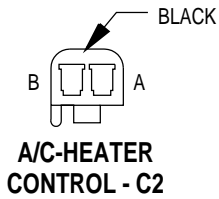
Component	Page	Component	Page
A/C Heater Control-C1	8W-80-4	C211	8W-80-12
A/C Heater Control-C2	8W-80-4	C322 (LHD)	8W-80-12
A/C Heater Control-C3	8W-80-4	C322 (LHD)	8W-80-12
A/C High Pressure Switch	8W-80-4	C322 (RHD)	8W-80-12
A/C Low Pressure Switch	8W-80-4	C322 (RHD)	8W-80-12
ABS Diode	8W-80-5	C323 (LHD)	8W-80-13
ABS Pump Motor	8W-80-5	C323 (LHD)	8W-80-13
Airbag Control Module	8W-80-5	C323 (RHD)	8W-80-13
Back-Up Lamp Switch	8W-80-6	C323 (RHD)	8W-80-13
Battery Temperature Sensor	8W-80-6	C325 (4-SPKR SYS)	8W-80-14
Blower Motor Relay	8W-80-6	C325 (4-SPKR SYS)	8W-80-14
Blower Motor/Resistor Block- C1	8W-80-6	C326 (HARD TOP)	8W-80-14
Blower Motor/Resistor Block- C2	8W-80-6	C326 (HARD TOP)	8W-80-14
Brake Shift Interlock Solenoid	8W-80-6	C329	8W-80-14
Brake Warning Switch	8W-80-7	C329	8W-80-14
C103	8W-80-7	Camshaft Position Sensor	8W-80-14
C103	8W-80-7	Cigar Lighter/Accessory Relay	8W-80-15
C104	8W-80-7	Cigar Lighter/Power Outlet	8W-80-15
C104	8W-80-7	Clockspring- C1	8W-80-15
C106	8W-80-7	Clockspring- C2	8W-80-15
C106	8W-80-7	Clutch Pedal Position Switch (M/T)	8W-80-15
C107	8W-80-8	Combination Flasher	8W-80-15
C107	8W-80-8	Controller Anti-Lock Brake- C1	8W-80-16
C108	8W-80-8	Controller Anti-Lock Brake- C2	8W-80-16
C108	8W-80-8	Crankshaft Position Sensor	8W-80-16
C110	8W-80-9	Data Link Connector	8W-80-17
C110	8W-80-9	Daytime Running Lamp Module	8W-80-17
C154	8W-80-9	Downstream Heated Oxygen Sensor	8W-80-17
C154	8W-80-9	Driver Airbag	8W-80-18
C170	8W-80-10	Driver Door Ajar Switch	8W-80-18
C170	8W-80-10	Duty Cycle Evap/Purge Solenoid	8W-80-18
C180	8W-80-10	Engine Coolant Temperature Sensor	8W-80-18
C180	8W-80-10	Engine Oil Pressure Sensor	8W-80-18
C202	8W-80-10	Evap Leak Detection Pump	8W-80-18
C202	8W-80-10	Fog Lamp Relay No. 1	8W-80-19
C203	8W-80-11	Fog Lamp Relay No. 2	8W-80-19
C203	8W-80-11	Front Fog Lamp Switch	8W-80-19
C204	8W-80-11	Fuel Pump Module	8W-80-19
C204	8W-80-11	G-Switch	8W-80-19
C211	8W-80-12	Generator	8W-80-19

Component	Page	Component	Page
Headlamp Dimmer Switch	8W-80-20	Park/Neutral Position Switch (A/T)	8W-80-27
Headlamp Leveling Switch (Built-Up Export)	8W-80-20	Passenger Airbag	8W-80-27
Headlamp Switch	8W-80-20	Passenger Door Ajar Switch	8W-80-27
High Note Horn	8W-80-20	ower Steering Pressure Switch (LHD 2.5L)	8W-80-27
Hydraulic Control Unit	8W-80-21	Power Steering Pressure Switch (RHD 2.5L)	8W-80-28
Idle Air Control Motor	8W-80-21	Powertrain Control Module- C1	8W-80-28
Ignition Coil	8W-80-21	Powertrain Control Module- C2	8W-80-29
Ignition Switch	8W-80-21	Powertrain Control Module- C3	8W-80-30
Immobilizer	8W-80-21	PRNDL Lamp (LHD)	8W-80-30
Injector No. 1	8W-80-22	Radio- C1	8W-80-31
Injector No. 2	8W-80-22	Radio- C2	8W-80-31
Injector No. 3	8W-80-22	Rear Fog Lamp (Built-Up Export)	8W-80-31
Injector No. 4	8W-80-22	Rear Fog Lamp Relay (Built-Up Export)	8W-80-31
Injector No. 5 (4.0L)	8W-80-22	Rear Fog Lamp Switch (Built-Up Export)	8W-80-31
Injector No. 6 (4.0L)	8W-80-22	Rear Washer Pump Motor (Hard Top)	8W-80-32
Instrument Cluster- C1	8W-80-22	Rear Window Defogger Switch (Hard Top)	8W-80-32
Instrument Cluster- C2	8W-80-23	Rear Wiper Motor	8W-80-32
Intake Air Temperature Sensor	8W-80-23	Rear Wiper/Washer Switch (Hard Top)	8W-80-33
Key-In Switch	8W-80-23	Right City Lamp (Built-Up Export)	8W-80-33
Left City Lamp (Built-Up Export)	8W-80-24	Right Courtesy Lamp	8W-80-33
Left Courtesy Lamp	8W-80-24	Right Fog Lamp	8W-80-33
Left Fog Lamp	8W-80-24	Right Front Speaker	8W-80-33
Left Front Speaker	8W-80-24	Right Front Wheel Speed Sensor (ABS)	8W-80-34
Left Front Wheel Speed Sensor	8W-80-25	Right Headlamp	8W-80-34
Left Headlamp	8W-80-25	Right Headlamp Leveling Motor	8W-80-34
Left Headlamp Leveling Motor	8W-80-25	Right License Lamp (Built-Up Export)	8W-80-34
Left License Lamp (Built-Up Export)	8W-80-25	Right Park/Turn Lamp (Except Built-Up Export)	8W-80-34
Left Park/Turn Lamp (Except Built-Up Export)	8W-80-25	Right Rear Lamp Assembly	8W-80-34
Left Turn Lamp (Built-Up Export)	8W-80-25	Right Rear Speaker	8W-80-35
Left Rear Lamp Assembly	8W-80-26	Right Rear Wheel Speed Sensor (ABS)	8W-80-35
Left Rear Speaker	8W-80-26	Right Repeater Lamp (Built-Up Export)	8W-80-35
Left Rear Wheel Speed Sensor (ABS)	8W-80-26	Right Side Marker	8W-80-35
Left Repeater Lamp (Built-Up Export)	8W-80-26	Right Turn Lamp (Built-Up Export)	8W-80-35
Left Side Marker	8W-80-26		
Low Note Horn (Except Built-Up Export)	8W-80-27		
Manifold Absolute Pressure Sensor	8W-80-27		

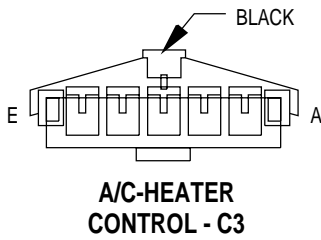
Component	Page
Seat Belt Switch (Except LHD Built-Up Export)	8W-80-35
Sound Bar Dome Lamp	8W-80-36
Stop Lamp Switch	8W-80-36
Throttle Position Sensor	8W-80-36
Torque Converter Clutch Solenoid	8W-80-37
Transfer Case	8W-80-37
Turn Signal/Hazard Switch	8W-80-37
Underhood Lamp (ABS or DRL)	8W-80-37
Underhood Lamp (Except ABS or DRL)	8W-80-37
Upstream Heated Oxygen Sensor	8W-80-37
Vehicle Speed Control Servo	8W-80-38
Vehicle Speed Sensor	8W-80-38
Windshield Washer Pump Motor	8W-80-38
Windshield Wiper Motor	8W-80-38
Windshield Wiper Switch	8W-80-38



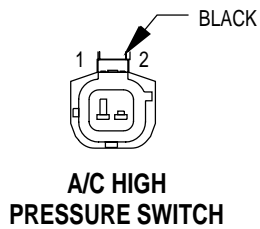
CAV	CIRCUIT	FUNCTION
A	C4 16TN	LOW SPEED BLOWER MOTOR
B	C7 16BR/TN	HIGH SPEED BLOWER MOTOR
C	C5 16LG/LB	M1 SPEED BLOWER MOTOR
D	C6 14LB	M2 SPEED BLOWER MOTOR
E	C1 14DG	BLOWER MOTOR FEED



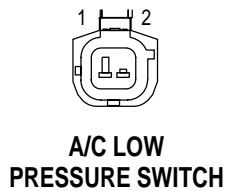
CAV	CIRCUIT	FUNCTION
A	E2 20OR	FUSED PANEL LAMPS DIMMER SWITCH SIGNAL
B	Z1 20BK	GROUND



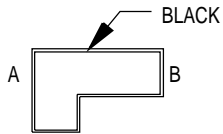
CAV	CIRCUIT	FUNCTION
A	-	-
B	C1 14DG	BLOWER MOTOR FEED
C	F24 14RD/DG	FUSED IGNITION SWITCH OUTPUT (RUN)
D	C90 20LG	A/C SWITCH OUTPUT
E	Z1 20BK	GROUND



CAV	CIRCUIT	FUNCTION
1	C90 20LG	A/C SELECT INPUT
2	C21 20DB/OR	A/C SWITCH SENSE

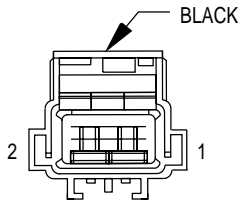


CAV	CIRCUIT	FUNCTION
1	C22 20DB/WT	A/C SWITCH SENSE
2	C21 20DB/OR	A/C SWITCH SENSE



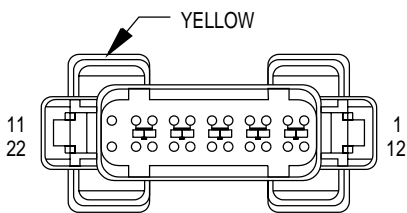
ABS DIODE

CAV	CIRCUIT	FUNCTION
A	B48 20RD/YL	ABS SYSTEM RELAY OUTPUT
B	G19 20LG/OR	ABS WARNING LAMP DRIVER



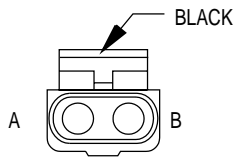
ABS PUMP MOTOR

CAV	CIRCUIT	FUNCTION
1	B120 12BR/WT	ABS PUMP MOTOR RELAY OUTPUT
2	Z1 12BK	GROUND



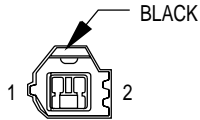
AIRBAG CONTROL MODULE

CAV	CIRCUIT	FUNCTION
1	R45 18DG/LB	DRIVER AIRBAG LINE 2
2	R43 18BK/LB	DRIVER AIRBAG LINE 1
3	-	-
4	-	-
5	R42 18BK/YL	PASSENGER AIRBAG LINE 1
6	R44 18DG/YL	PASSENGER AIRBAG LINE 2
7	-	-
8	-	-
9	-	-
10	Z6 18BK/PK	GROUND
11	-	-
12	-	-
13	-	-
14	-	-
15	-	-
16	-	-
17	F14 18LG/YL	FUSED IGNITION SWITCH OUTPUT (ST-RUN)
18	D2 18WT/BK	CCD BUS(-)
19	D1 18VT/BR	CCD BUS(+)
20	F23 18DB/YL	FUSED IGNITION SWITCH OUTPUT (RUN)
21	-	-
22	-	-



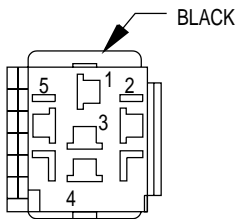
**BACK-UP
LAMP SWITCH**

CAV	CIRCUIT	FUNCTION
A	L1 18VT/BK	BACK-UP LAMP FEED
B	F20 18VT/WT	FUSED IGNITION SWITCH OUTPUT (RUN)



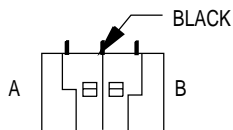
**BATTERY
TEMPERATURE
SENSOR**

CAV	CIRCUIT	FUNCTION
1	K118 18PK/YL	BATTERY TEMPERATURE SENSOR SIGNAL
2	K167 20BR/YL	SENSOR RETURN
2	K167 18BR/YL*	SENSOR RETURN



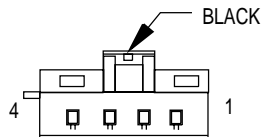
**BLOWER MOTOR
RELAY**

CAV	CIRCUIT	FUNCTION
1	C1 12DG	BLOWER MOTOR FEED
2	Z1 14BK	GROUND
3	C111 14DG/YL	BLOWER RELAY FEED
4	A111 12RD/LB	FUSED B(+)
5	C7 16BR/TN	HIGH SPEED BLOWER MOTOR



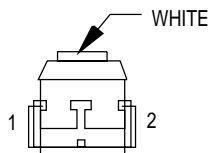
**BLOWER MOTOR/
RESISTOR BLOCK - C1**

CAV	CIRCUIT	FUNCTION
A	C1 12DG	BLOWER MOTOR FEED
B	Z1 12BK	GROUND



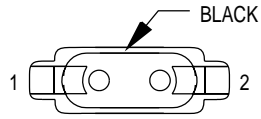
**BLOWER MOTOR/
RESISTOR BLOCK - C2**

CAV	CIRCUIT	FUNCTION
1	C4 14TN	LOW SPEED BLOWER MOTOR
2	C5 14LG/LB	M1 SPEED BLOWER MOTOR
3	C6 14LB	M2 SPEED BLOWER MOTOR
4	C111 14DG/YL	BLOWER RELAY FEED



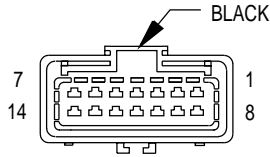
**BRAKE SHIFT
INTERLOCK
SOLENOID**

CAV	CIRCUIT	FUNCTION
1	K29 20WT/PK	BRAKE SWITCH SENSE
2	G5 20DB/WT	FUSED IGNITION SWITCH OUTPUT (ST-RUN)



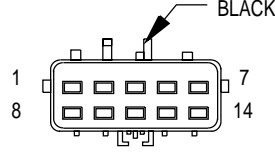
BRAKE WARNING SWITCH

CAV	CIRCUIT	FUNCTION
1	G9 20GY/BK	RED BRAKE WARNING LAMP DRIVER
2	G99 20GY/WT	RED BRAKE WARNING LAMP DRIVER



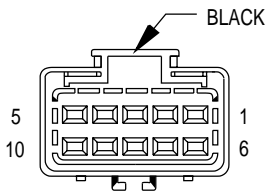
C103

CAV	CIRCUIT
1	F142 18OR/DG
2	K72 18DG/OR
3	A14 14RD/WT
4	B6 18WT/DB*
5	B7 18WT*
6	K226 18DB/LG
7	A141 18DG/WT
8	K167 20BR/YL
9	F12 20RD/LG
10	Z12 20BK/TN
11	Z12 20BK/LB
12	G7 20WT/OR •
13	G107 20BK/RD
14	C3 20DB/BK



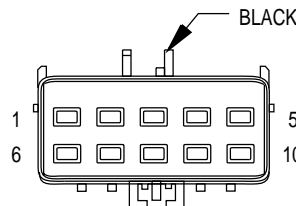
C103

CAV	CIRCUIT
1	F142 18OR/DG
2	K72 18DG/OR
3	A14 14RD/WT
4	B6 18WT/DB*
5	B7 18WT*
6	K226 20DB/LG
7	A141 18DG/WT
8	K167 20BR/YL
9	F12 20RD/LG
10	Z12 20BK/TN
11	Z12 20BK/LB
12	G7 20WT/OR
13	G107 20BK/RD
14	C3 20DB/BK



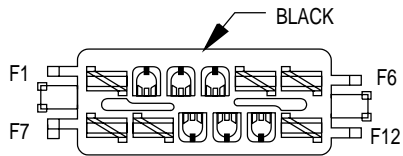
C104

CAV	CIRCUIT
1	C90 20LG
2	C22 18DB/WT
3	B4 18LG*
4	B3 18LG/DB*
5	T41 20BR/LB
6	B2 18YL*
7	B1 18YL/DB*
8	-
9	L1 20VT/BK
10	F20 20VT/WT



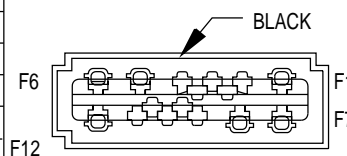
C104

CAV	CIRCUIT
1	C90 20LG
2	C22 20DB/WT
3	B4 18LG*
4	B3 18LG/DB*
5	T41 20BR/LB
6	B2 18YL*
7	B1 18YL/DB*
8	-
9	L1 18VT/BK
10	F20 18VT/WT



C106

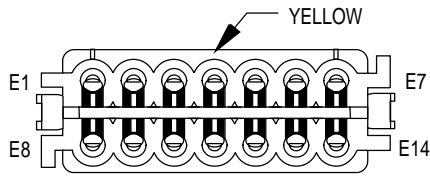
CAV	CIRCUIT
F1	F30 12RD/PK
F2	L1 20VT/BK
F3	F20 20VT/WT
F4	-
F5	A1 14RD
F6	A2 12PK/BK
F7	A6 12RD/BK
F8	C15 12BK/WT
F9	T141 14YL/RD
F10	F12 20RD/LG
F11	G9 20GY/BK
F12	A111 12RD/LB



C106

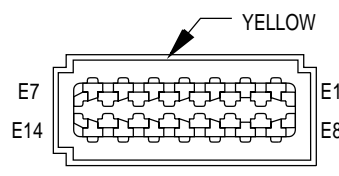
CAV	CIRCUIT
F1	F30 12RD/PK
F2	L1 20VT/BK
F2	L1 18VT/BK**
F3	F20 20VT/WT
F4	-
F5	A1 14RD
F6	A2 12PK/BK
F7	A6 12RD/BK
F8	C15 12BK/WT
F9	T141 14YL/RD
F9	T141 14YL/RD
F10	F12 20RD/LG
F11	G9 20GY/BK
F11	G9 20GY/BK
F12	A111 12RD/LB

* ABS
 ** LHD BUILT-UP-EXPORT
 • DRL



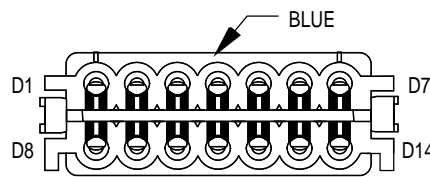
C107

CAV	CIRCUIT
E1	L7 18BK/YL
E2	L60 18TN
E3	L61 18GY
E4	L3 16RD/OR
E5	L4 16VT/WT
E6	Z12 20BK/LB
E7	X3 20RD/YL
E8	V10 18BR
E9	Z12 20BK/TN
E10	L39 18LB ■
E11	V30 20DB/RD ■■
E12	G107 20BK/RD
E13	D20 18LG
E14	D21 18PK
	D21 20PK*



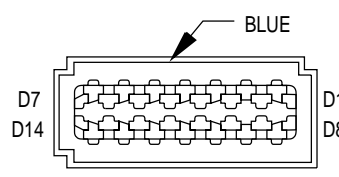
C107

CAV	CIRCUIT
E1	L7 18BK/YL
	L7 18BK/YL
E2	L60 18TN
E3	L61 18GY
E4	L3 14RD/OR
E5	L4 14VT/WT
E6	Z12 20BK/LB
E7	X3 20RD/YL
E8	V10 18BR
E9	Z12 20BK/TN
E10	L39 18LB ▼
E11	V30 20DB/RD
E12	G107 20BK/RD
E13	D20 20LG
E14	D21 20PK



C108

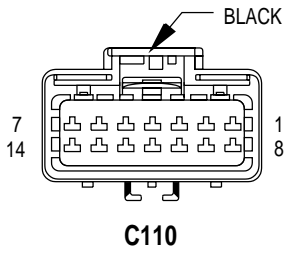
CAV	CIRCUIT
D1	V32 18YL/RD+
D2	A3 14RD/WT
D3	K167 20BR/YL ■■
D4	D1 18VT/BR
D5	D2 18WT/BK
	G19 20LG/OR*
D6	G19 20LG/OR*
	G19 20LG/OR*
D7	L3 16RD/OR
D8	L20 16LG/WT ●
D9	L50 18WT/TN*
D10	V37 18RD/LG+
D11	L9 16BK/WT
D12	M1 20PK/WT
	M1 20PK/WT
D13	L22 20LG/DG++
D14	K29 18WT/PK



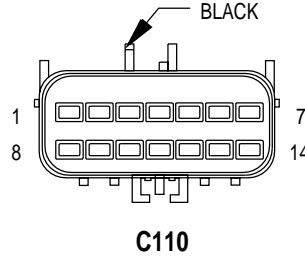
C108

CAV	CIRCUIT
D1	V32 18YL/RD
D1	V32 20YL/RD**
D2	A3 14RD/WT
D3	K167 20BR/YL ●●
	K167 20BK/YL
D4	D1 18VT/BR ▼
D4	D1 20VT/BR
D5	D2 20WT/BK
D6	G19 20LG/OR
D7	G34 16RD/GY
	L20 16LG/WT ▼▼
D9	L50 18WT/TN
	L50 18WT/TN
D10	V37 20RD/LG
D11	L9 16BK/WT
D12	M1 20PK/WT
	M1 20PK/WT
D13	L22 20LG/DG**
D14	K29 20WT/PK
	K29 20WT/PK

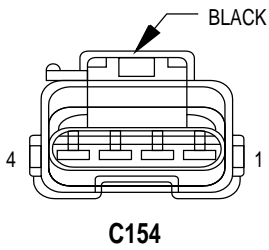
- * ABS
- ** BUILT-UP-EXPORT
- DRL
- FRONT FOG LAMPS OR RHD
- LHD
- SPEED CONTROL OR RHD
- + ABS AND DRL
- ++ EXCEPT DRL
- ▼ FRONT FOG LAMPS
- ▼▼ EXCEPT BUILT-UP-EXPORT



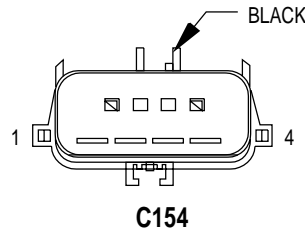
CAV	CIRCUIT
1	L7 18BK/YL
2	L60 18TN
3	L61 18GY
4	L3 16RD/OR
5	L4 16VT/WT
6	X2 18WT/RD
7	-
8	V10 18BR
9	L22 20LG/DG ■
10	K52 20PK/BK
11	F12 20RD/LG
12	-
13	L39 18LB ■■
14	L13 20BR/YL ■



CAV	CIRCUIT
1	L7 18BK/YL
2	L60 18TN
3	L61 18GY
4	L3 16RD/OR
5	L4 16VT/WT
6	X2 18WT/RD
7	-
8	V10 18BR
9	L22 20LG/DG ●
10	K52 18PK/BK
11	F12 20RD/LG
12	-
13	L39 18LB ●●
14	L13 20BR/YL ●

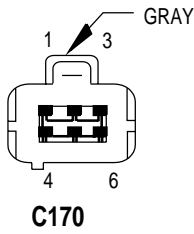


CAV	CIRCUIT
1	Z1 20BK
2	L1 18VT/BK
3	T41 20BR/LB
4	F20 18VT/WT

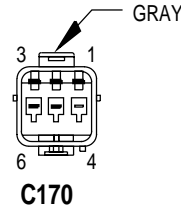


CAV	CIRCUIT
1	Z1 20BK*
2	L1 18VT/BK
3	T41 20BR/LB**
3	Z1 20BK*
4	F20 18VT/WT

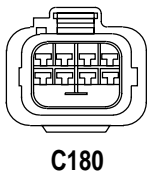
* M/T
 ** A/T
 ● EXCEPT DRL
 ●● LHD
 ■ BUILT-UP-EXPORT
 ■■ FRONT FOG LAMPS



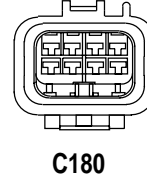
CAV	CIRCUIT
1	L13 20BR/YL*
2	C81 20LB/WT
3	G99 20GY/WT
4	-
5	-
6	C90 20LG



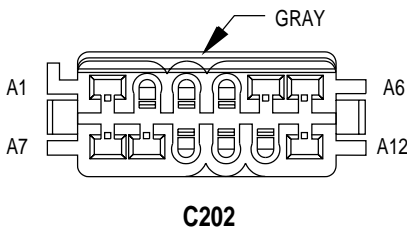
CAV	CIRCUIT
1	L13 20BR/YL ■
2	C81 20LB/WT ■■
3	G99 20GY/WT
4	-
5	-
6	C90 20LG



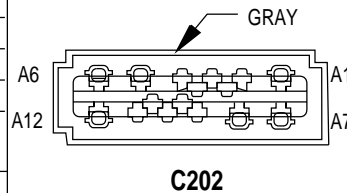
CAV	CIRCUIT
1	V36 18TN/RD
2	V35 18LG/RD
3	V30 20DB/RD
4	Z1 18BK
5	K105 18WT/OR
6	K106 18WT/DG
7	F12 20RD/LG
8	-



CAV	CIRCUIT
1	V36 18TN/RD ▼
2	V35 18LG/RD ▼
3	V30 20DB/RD ▼
4	Z1 18BK ▼
5	K105 18WT/OR ▼▼
6	K106 18WT/DG ▼▼
7	F12 20RD/LG ▼▼
8	-

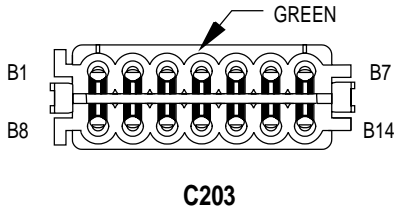


CAV	CIRCUIT
A1	F24 14RD/DG
A2	L20 16LG/WT
A3	E1 18TN
A4	E2 20OR
A5	F81 20DB/RD ■■
A6	Z12 20BK/LB
A7	V23 18BR/PK ■■
A8	L2 16LG
A9	F38 16LB
A10	G5 20DB/WT
A11	F34 18TN/BK
A12	A111 12RD/LB



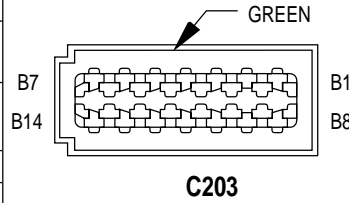
CAV	CIRCUIT
A1	F24 14RD/DG
A2	L20 16LG/WT** L20 14LG/WT
A3	E1 18TN
A4	E2 20OR
A5	F81 20DB/RD
A6	Z12 20BK/LB Z12 20BK/LB
A7	V23 18BR/PK V23 18BK/PK+
A8	L2 14LG L2 16LG ●
A9	F38 16LB
A10	G5 20DB/WT
A11	F34 18TN/BK F34 20TN/BK
A12	A111 12RD/LB

- * EXCEPT DRL
- ** EXCEPT BUILT-UP-EXPORT
- REAR FOG LAMP
- DRL
- BUILT-UP-EXPORT
- HARDTOP
- + FRONT FOG LAMPS
- ▼ SPEED CONTROL
- ▼▼ VAPOR CANISTOR LEAK DETECTOR



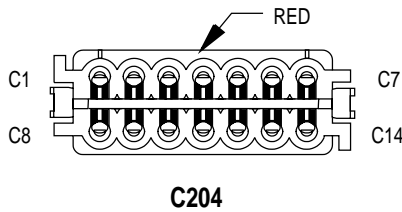
C203

CAV	CIRCUIT
B1	L60 18TN
B2	L61 18GY
B3	G26 20LB G26 20LB
B4	G16 20BK/LB
B5	G34 16RD/GY
B6	L7 18BK/YL L7 18BK/YL
B7	M1 20PK/WT
B8	D20 20LG
B9	V20 18VT/OR*
B10	D21 20PK
B11	D1 20VT/BR D1 20VT/BR
B12	D2 20WT/BK D2 20WT/BK
B13	L35 18BR/WT**
B14	G19 20LG/OR



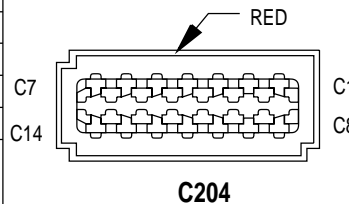
C203

CAV	CIRCUIT
B1	L60 18TN L60 18TN
B2	L61 18GY L61 18GY
B3	G26 20LB
B4	G16 20BK/LB G16 20BK/LB
B5	G34 16RD/GY G34 16RD/GY**
B6	L7 18BK/YL L7 18BK/YL**
B7	M1 20PK/WT
B8	D20 20LG
B9	V20 18VT/OR
B10	D21 20PK
B11	D1 20VT/BR
B12	D2 20WT/BK
B13	L35 18BR/WT**
B14	G19 20LG/OR



C204

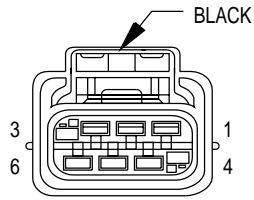
CAV	CIRCUIT
C1	L95 18DG/YL
C2	V13 18BR/LG*
C3	G10 20LG/RD
C4	Z12 20BK/TN
C5	-
C6	A3 14RD/WT
C7	G107 20BK/RD
C8	L38 20BR/WT+ L38 20BR/WT++
C9	L22 20LG/DG+ L22 20LG/DG+
C10	X12 20PK
C11	X51 18BR/YL
C12	X57 18BR/LB
C13	X52 18DB/WT
C14	X58 18DB/PK



C204

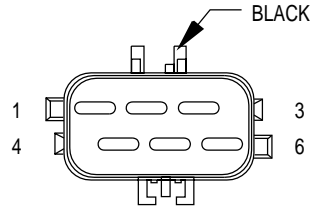
CAV	CIRCUIT
C1	L95 18DG/YL**+
C2	V13 18BR/LG
C3	G10 20LG/RD
C4	Z12 20BK/TN
C5	-
C6	A3 14RD/WT
C7	G107 20BK/RD
C8	L38 20BR/WT+ L38 20BR/WT++
C9	L22 20LG/DG+ L22 20LG/DG+
C10	X12 20PK
C11	X51 18BR/YL
C12	X57 18BR/LB
C13	X52 18DB/WT
C14	X58 18DB/PK

* HARD TOP
 ** FRONT FOG LAMPS
 + BUILT-UP-EXPORT
 ++ LHD BUILT-UP-EXPORT



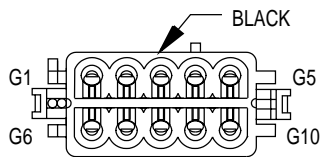
C211

CAV	CIRCUIT
1	C4 16TN
2	C5 16LG/LB
3	C6 14LB
4	Z1 12BK
5	A111 12RD/LB
6	C7 16BR/TN



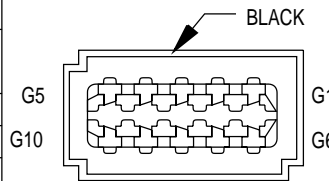
C211

CAV	CIRCUIT
1	C4 14TN
2	C5 14LG/LB
3	C6 14LB
4	Z1 12BK
5	A111 12RD/LB
6	C7 16BR/TN



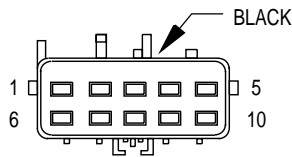
**C322
(LHD)**

CAV	CIRCUIT
G1	L7 18BK/YL
G2	L62 18BR/RD
G3	L1 20VT/BK
G4	L63 18DG/RD
G5	Z1 12BK
G6	G10 20LG/RD**
G7	L50 18WT/TN
G8	L38 18BR/WT •
G9	G9 20GY/BK
G10	V23 18BR/PK*



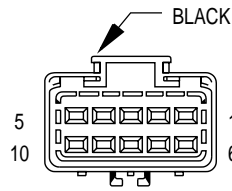
**C322
(LHD)**

CAV	CIRCUIT
G1	L7 18BK/YL
G2	L62 18BR/RD
G3	L1 20VT/BK
G4	L63 18DG/RD
G5	Z1 12BK
G6	G10 20LG/RD
G7	L50 18WT/TN
G8	L38 20BR/WT •
G9	G9 20GY/BK
G10	V23 18BR/PK
G10	V23 18BK/PK ••



**C322
(RHD)**

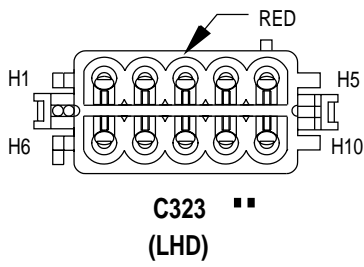
CAV	CIRCUIT
1	L7 18BK/YL
2	L62 18BR/RD
3	L1 20VT/BK
4	L63 18DG/RD
5	Z1 12BK
6	G10 20LG/RD
7	L50 18WT/TN
8	L38 20BR/WT
9	G9 20GY/BK
10	V23 18BR/PK*



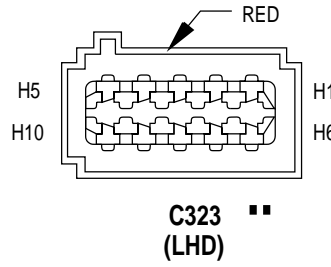
**C322
(RHD)**

CAV	CIRCUIT
1	L7 18BK/YL
2	L62 18BR/RD
3	L1 20VT/BK
4	L63 18DG/RD
5	Z1 12BK
6	G10 20LG/RD
7	L50 18WT/TN
8	L38 20BR/WT
9	G9 20GY/BK
10	V23 18BR/PK

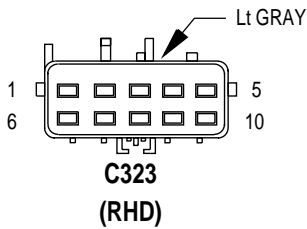
- * HARD TOP
- ** EXCEPT BUILT-UP-EXPORT
- REAR FOG LAMP
- FRONT FOG LAMPS
- 4 - SPEAKER SYSTEM
- THE FEMALE SIDE OF C323 IS NOT PRESENT IN SOFT-TOP 2 - SPEAKER SYSTEM VEHICLES



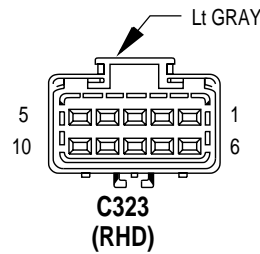
CAV	CIRCUIT
H1	C15 12BK/WT*
H2	M1 20PK/WT
H3	M2 20YL
H4	V23 18BR/PK*
H5	V13 18BR/LG*
H6	V20 18VT/OR*
H7	X51 18BR/YL ■
H8	X57 18BR/LB ■
H9	X52 18DB/WT ■
H10	X58 18DB/PK ■



CAV	CIRCUIT
H1	C15 12BK/WT
H2	M1 20PK/WT
H3	M2 20YL
H4	V23 18BR/PK
H5	V13 18BR/LG
H6	V20 18VT/OR
H7	X51 18BR/YL
H8	X57 18BR/LB
H9	X52 18DB/WT
H10	X58 18DB/PK

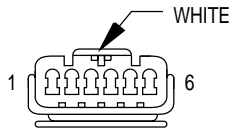


CAV	CIRCUIT
1	C15 12BK/WT
2	M1 20PK/WT
3	M2 20YL
4	V23 18BR/PK
5	V13 18BR/LG
6	V20 18VT/OR
7	X51 18BR/YL
8	X57 18BR/LB
9	X52 18DB/WT
10	X58 18DB/PK



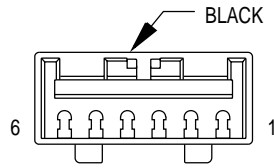
CAV	CIRCUIT
1	C15 12BK/WT*
2	M1 20PK/WT
3	M2 20YL
4	V23 18BR/PK*
5	V13 18BR/LG*
6	V20 18VT/OR*
7	X51 18BR/YL ■
8	X57 18BR/LB ■
9	X52 18DB/WT ■
10	X58 18DB/PK ■

* HARD TOP
 ■ 4 - SPEAKER SYSTEM
 ■■ THE FEMALE SIDE OF C323 IS NOT PRESENT
 IN SOFT-TOP 2 - SPEAKER SYSTEM VEHICLES



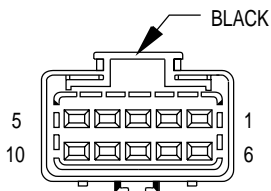
C325
(4-SPKR SYS)

CAV	CIRCUIT
1	X57 18BR/LB
2	X51 18BR/YL
3	M1 20PK/WT
4	M2 20YL
5	X58 18DB/PK
6	X52 18DB/WT



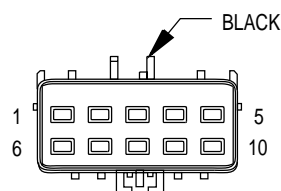
C325
(4-SPKR SYS)

CAV	CIRCUIT
1	X57 20BR/LB
2	X51 20BR/YL
3	M1 20PK/WT
4	M2 20YL
5	X58 20DB/PK
6	X52 20DB/WT



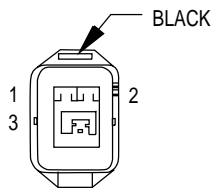
C326
(HARD TOP)

CAV	CIRCUIT
1	C15 12BK/WT
2	-
3	V13 18BR/LG
4	V23 18BR/PK
5	V23 18BR/PK
6	Z1 12BK
7	-
8	M1 20PK/WT
9	M2 20YL
10	-



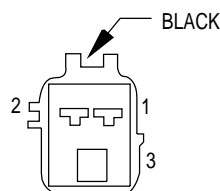
C326
(HARD TOP)

CAV	CIRCUIT
1	C15 12BK/WT
2	-
3	V13 18BK/LG
4	V21 18DB/RD
5	V23 18BR/PK
6	Z1 12BK
7	-
8	M1 20PK/WT
9	M2 20YL
10	-



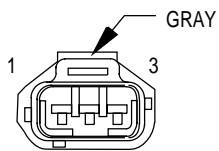
C329

CAV	CIRCUIT
1	L38 20BR/WT
2	L7 18BK/YL
3	Z1 20BK



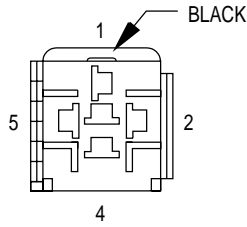
C329

CAV	CIRCUIT
1	L38 18BR/WT
2	L7 18BK/YL
3	Z1 20BK



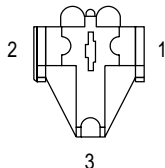
CAMSHAFT POSITION
SENSOR

CAV	CIRCUIT	FUNCTION
1	K44 18TN/YL	CAMSHAFT POSITION SENSOR SIGNAL
2	K167 20BR/YL	SENSOR RETURN
3	K7 20OR	5 VOLT SUPPLY



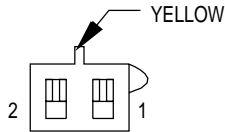
**CIGAR LIGHTER/
ACCESSORY RELAY**

CAV	CIRCUIT	FUNCTION
1	F30 12RD/PK	FUSED B(+)
2	A31 14BK/DG+	IGNITION SWITCH OUTPUT (RUN-ACC)
2	A31 14BR/DG*	IGNITION SWITCH OUTPUT (RUN-ACC)
2	A31 14BK/WT**	IGNITION SWITCH OUTPUT (RUN-ACC)
3	-	-
4	F22 12WT/PK	FUSED IGNITION SWITCH OUTPUT
5	Z1 20BK Z1 20BK	GROUND



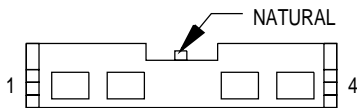
**CIGAR LIGHTER/
POWER OUTLET**

CAV	CIRCUIT	FUNCTION
1	F38 16LB	FUSED B(+)
2	-	-
3	Z1 16BK	GROUND



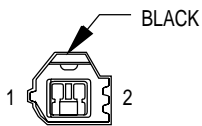
CLOCKSPRING - C1

CAV	CIRCUIT	FUNCTION
1	R45 18DG/LB	DRIVER AIRBAG LINE 2
2	R43 18BK/LB	DRIVER AIRBAG LINE 1



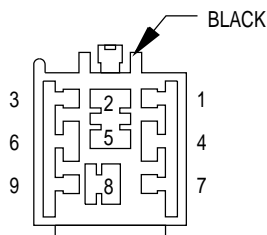
CLOCKSPRING - C2

CAV	CIRCUIT	FUNCTION
1	X3 20RD/YL	HORN RELAY CONTROL SENSE
2	V37 20RD/LG	SPEED CONTROL SWITCH SIGNAL
3	K167 20BR/YL+	SENSOR RETURN
3	K167 20BK/YL	SENSOR RETURN
4	-	-



**CLUTCH PEDAL
POSITION SWITCH
(M/T)**

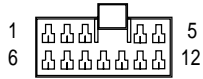
CAV	CIRCUIT	FUNCTION
1	T141 14YL/RD	IGNITION SWITCH OUTPUT (ST)
2	A41 14YL	IGNITION SWITCH OUTPUT (ST)



**COMBINATION
FLASHER**

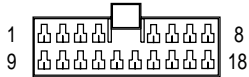
CAV	CIRCUIT	FUNCTION
1	-	-
2	L32 16PK	COMBINATION FLASHER OUTPUT
3	-	-
4	Z1 20BK	GROUND
5	-	-
6	L55 16RD/WT	COMBINATION FLASHER INPUT
7	-	-
8	-	-
9	-	-

* LHD BUILT-UP-EXPORT
** EXCEPT FRONT FOG LAMPS
+ FRONT FOG LAMPS OR RHD



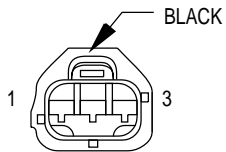
**CONTROLLER
ANTI-LOCK
BRAKE - C1**

CAV	CIRCUIT	FUNCTION
1	G19 20LG/OR	ABS WARNING LAMP DRIVER
2	B43 20PK/OR	G-SWITCH TEST SIGNAL
3	D21 20PK	SCI TRANSMIT
4	-	-
5	F20 20VT/WT	FUSED IGNITION SWITCH OUTPUT (RUN)
6	B41 20YL/VT	G-SWITCH NO. 1 SENSE
7	B42 20TN/WT	G-SWITCH NO. 2 SENSE
8	L50 18WT/TN	STOP LAMP SWITCH OUTPUT
9	B3 18LG/DB	LEFT REAR WHEEL SPEED SENSOR (-)
10	B4 18LG	LEFT REAR WHEEL SPEED SENSOR (+)
11	B1 18YL/DB	RIGHT REAR WHEEL SPEED SENSOR (-)
12	B2 18YL	RIGHT REAR WHEEL SPEED SENSOR (+)



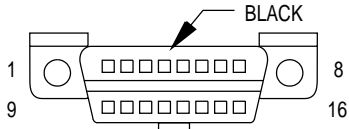
**CONTROLLER
ANTI-LOCK
BRAKE - C2**

CAV	CIRCUIT	FUNCTION
1	B7 18WT	RIGHT FRONT WHEEL SPEED SENSOR (+)
2	B6 18WT/DB	RIGHT FRONT WHEEL SPEED SENSOR (-)
3	B120 16BR/WT	ABS PUMP MOTOR RELAY OUTPUT
4	B251 20WT/BK	REAR INLET VALVE CONTROL
5	B48 20RD/YL	ABS SYSTEM RELAY OUTPUT
6	B248 20DG/WT	RIGHT FRONT OUTLET VALVE CONTROL
7	B116 20GY	ABS PUMP MOTOR RELAY CONTROL
8	B243 20DG/BK	LEFT FRONT OUTLET VALVE CONTROL
9	B9 18RD	LEFT FRONT WHEEL SPEED SENSOR (+)
10	B8 18RD/DB	LEFT FRONT WHEEL SPEED SENSOR (-)
11	B58 20GY/LB	ABS SYSTEM RELAY CONTROL
12	B254 20DG/OR	REAR OUTLET VALVE CONTROL
13	Z22 16BK/PK	GROUND
14	Z22 16BK/PK	GROUND
15	B249 20WT/DG	RIGHT FRONT INLET VALVE CONTROL
16	-	-
17	-	-
18	B245 20WT/LG	LEFT FRONT INLET VALVE CONTROL



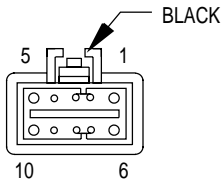
**CRANKSHAFT
POSITION
SENSOR**

CAV	CIRCUIT	FUNCTION
1	K24 18GY/BK	CRANKSHAFT POSITION SENSOR SIGNAL
2	K167 20BR/YL	SENSOR RETURN
3	K7 20OR	5 VOLT SUPPLY



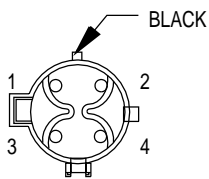
DATA LINK CONNECTOR

CAV	CIRCUIT	FUNCTION
1	-	-
2	-	-
3	D1 20VT/BR	CCD BUS(+)
4	Z12 20BK/LB	GROUND
5	Z12 20BK/TN	GROUND
6	D20 20LG	SCI RECEIVE
7	D21 20PK	SCI TRANSMIT
8	-	-
9	-	-
10	-	-
11	D2 20WT/BK	CCD BUS(-)
12	-	-
13	-	-
14	-	-
15	-	-
16	M1 20PK/WT	FUSED B(+)



DAYTIME RUNNING LAMP MODULE

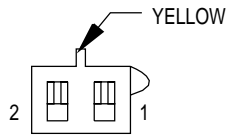
CAV	CIRCUIT	FUNCTION
1	L3 16RD/OR	DIMMER SWITCH HIGH BEAM OUTPUT
2	-	-
3	-	-
4	G34 18RD/GY	HIGH BEAM INDICATOR DRIVER
5	F12 20RD/LG	FUSED IGNITION OUTPUT
6	L20 16LG/WT	HEADLAMP SWITCH OUTPUT
7	G7 20WT/OR	VEHICLE SPEED SENSOR SIGNAL
8	Z1 18BK*	GROUND
8	Z1 20BK	GROUND
9	-	-
10	L4 16VT/WT	DIMMER SWITCH LOW BEAM OUTPUT



DOWNSTREAM HEATED OXYGEN SENSOR

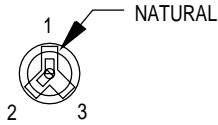
CAV	CIRCUIT	FUNCTION
1	F142 18OR/DG	AUTOMATIC SHUT DOWN RELAY OUTPUT
2	Z1 18BK	GROUND
3	K167 20BR/YL	SENSOR RETURN
4	K141 18TN/WT	DOWNSTREAM HEATED OXYGEN SENSOR SIGNAL

* ABS



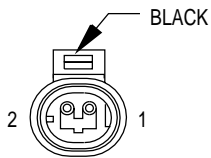
DRIVER AIRBAG

CAV	CIRCUIT	FUNCTION
1	R45 18DG/LB	DRIVER AIRBAG LINE 2
2	R43 18BK/LB	DRIVER AIRBAG LINE 1



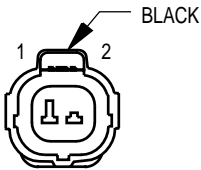
**DRIVER DOOR
AJAR SWITCH**

CAV	CIRCUIT	FUNCTION
1	M23 20YL/BK	DOOR AJAR SWITCH OUTPUT
2	M2 20YL	COURTESY LAMP DRIVER
3	G16 20BK/LB	LEFT DOOR AJAR SWITCH SENSE



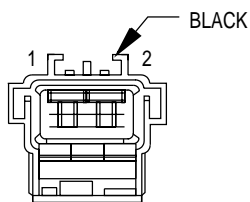
**DUTY CYCLE
EVAP/PURGE
SOLENOID**

CAV	CIRCUIT	FUNCTION
1	K52 20PK/BK	DUTY CYCLE EVAP/PURGE SOLENOID CONTROL
2	F12 20RD/LG	FUSED IGNITION SWITCH OUTPUT (RUN/START)



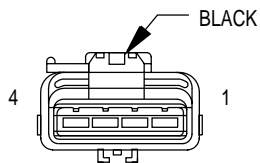
**ENGINE COOLANT
TEMPERATURE
SENSOR**

CAV	CIRCUIT	FUNCTION
1	K2 18TN/BK	ENGINE COOLANT TEMPERATURE SENSOR SIGNAL
2	K167 20BR/YL	SENSOR GROUND



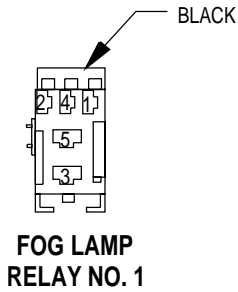
**ENGINE OIL
PRESSURE
SENSOR**

CAV	CIRCUIT	FUNCTION
1	K167 20BR/YL	SENSOR RETURN
2	G60 18GY/YL	ENGINE OIL PRESSURE SENSOR SIGNAL

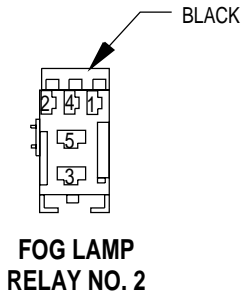


**EVAP LEAK
DETECTOR PUMP**

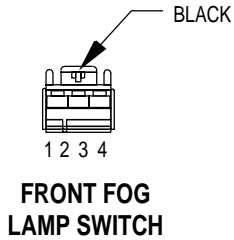
CAV	CIRCUIT	FUNCTION
1	-	-
2	F12 20RD/LG	FUSED IGNITION SWITCH OUTPUT (ST-RUN)
3	K106 20WT/DG	LEAK DETECT PUMP SOLENOID CONTROL
4	K105 20WT/OR	LEAK DETECT PUMP SWITCH



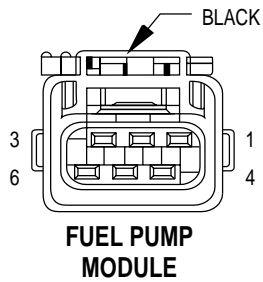
CAV	CIRCUIT	FUNCTION
1	L35 18BR/WT	FOG LAMP SWITCH OUTPUT
2	Z1 20BK	GROUND
3	F61 18WT/OR	FUSED B(+)
4	-	-
5	L39 18LB	FOG LAMP RELAY OUTPUT



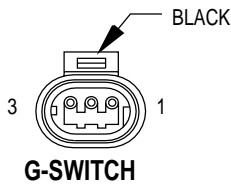
CAV	CIRCUIT	FUNCTION
1	G34 16RD/GY	HIGH BEAM INDICATOR DRIVER
2	Z1 20BK	GROUND
3	L7 18BK/YL	HEADLAMP SWITCH OUTPUT
4	L95 18DG/YL	FOG LAMP RELAY OUTPUT
5	-	-



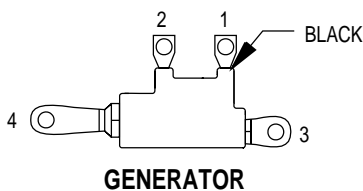
CAV	CIRCUIT	FUNCTION
1	E2 20OR	PANEL LAMP FEED
2	L35 18BR/WT	FOG LAMP SWITCH OUTPUT
3	L95 18DG/YL	FOG LAMP RELAY NO. 2 OUTPUT
4	Z1 20BK	GROUND



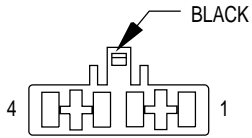
CAV	CIRCUIT	FUNCTION
1	A141 18DG/WT	FUEL PUMP RELAY OUTPUT
2	-	-
3	K226 20DB/LG	FUEL LEVEL SENSOR SIGNAL
4	K167 20BR/YL	SENSOR RETURN
5	-	-
6	Z1 18BK	GROUND



CAV	CIRCUIT	FUNCTION
1	B43 20PK/OR	G-SWITCH TEST SIGNAL
2	B41 20YL/VT	G-SWITCH NO.1 SENSE
3	B42 20TN/WT	G-SWITCH NO.2 SENSE

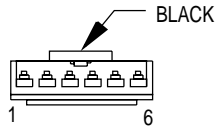


CAV	CIRCUIT	FUNCTION
1	K72 18DG/OR	VOLTAGE REGULATOR SIGNAL
2	K20 18DG	GENERATOR FIELD DRIVER
3	-	-
4	Z0 6BK	GROUND



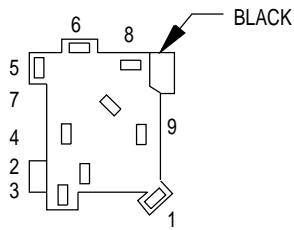
HEADLAMP DIMMER SWITCH

CAV	CIRCUIT	FUNCTION
1	L4 14VT/WT	DIMMER SWITCH LOW BEAM OUTPUT
2	L2 14LG	HEADLAMP SWITCH OUTPUT
3	L3 14RD/OR	DIMMER SWITCH HIGH BEAM OUTPUT
4	L20 14LG/WT	FUSED B(+) OPTICAL HORN FEED



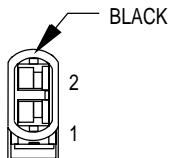
HEADLAMP LEVELING SWITCH (BUILT-UP-EXPORT)

CAV	CIRCUIT	FUNCTION
1	-	-
2	L22 20LG/DG	HEADLAMP SWITCH FUSED OUTPUT
3	-	-
4	Z1 20BK	GROUND
5	L13 20BR/YL	HEADLAMP ADJUST SIGNAL
6	-	-



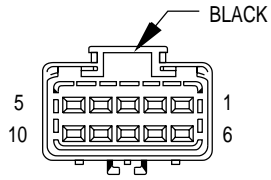
HEADLAMP SWITCH

CAV	CIRCUIT	FUNCTION
1	E1 18TN	PANEL LAMP DIMMER SWITCH SIGNAL
2	L2 16LG	HEADLAMP SWITCH OUTPUT
3	M2 20YL	COURTESY LAMP DRIVER
4	F34 18TN/BK	FUSED B(+)
5	G26 20LB	KEY-IN IGNITION SWITCH SENSE
6	G16 20BK/LB	LEFT DOOR AJAR SWITCH SENSE
7	L20 16LG/WT	FUSED B(+) OPTICAL HORN FEED
8	A3 14RD/WT	FUSED B(+)
9	L7 18BK/YL	HEADLAMP SWITCH OUTPUT



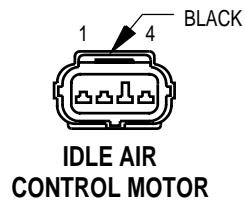
HIGH NOTE HORN

CAV	CIRCUIT	FUNCTION
1	X2 18WT/RD	HORN RELAY OUTPUT
2	Z1 18BK	GROUND



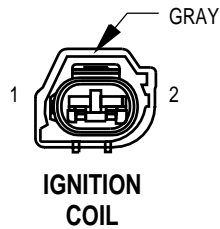
**HYDRAULIC
CONTROL
UNIT**

CAV	CIRCUIT	FUNCTION
1	B47 14RD/LB	ABS SYSTEM RELAY OUTPUT
2	B251 20WT/BK	REAR INLET VALVE CONTROL
3	B249 20WT/DG	RIGHT FRONT INLET VALVE CONTROL
4	B245 20WT/LG	LEFT FRONT INLET VALVE CONTROL
5	-	-
6	-	-
7	B254 20DG/OR	REAR OUTLET VALVE CONTROL
8	B248 20DG/WT	RIGHT FRONT OUTLET VALVE CONTROL
9	B243 20DG/BK	LEFT FRONT OUTLET VALVE CONTROL
10	B47 14RD/LB	ABS SYSTEM RELAY OUTPUT



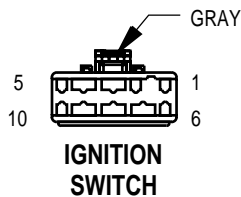
**IDLE AIR
CONTROL MOTOR**

CAV	CIRCUIT	FUNCTION
1	K59 18VT/BK	IDLE AIR CONTROL NO.4 DRIVER
2	K40 18BR/WT	IDLE AIR CONTROL NO.3 DRIVER
3	K60 18YL/BK	IDLE AIR CONTROL NO.2 DRIVER
4	K39 18GY/RD	IDLE AIR CONTROL NO.1 DRIVER



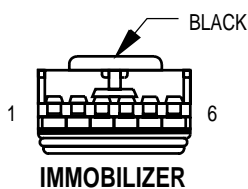
**IGNITION
COIL**

CAV	CIRCUIT	FUNCTION
1	F142 18OR/DG	FUSED AUTOMATIC SHUT DOWN RELAY OUTPUT
2	K19 18GY	IGNITION COIL DRIVER



**IGNITION
SWITCH**

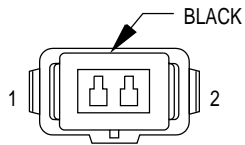
CAV	CIRCUIT	FUNCTION
1	Z1 16BK	GROUND
2	G9 20GY/BK	RED BRAKE WARNING LAMP DRIVER
3	A2 12PK/BK	FUSED B(+)
4	A22 12BK/OR	IGNITION SWITCH OUTPUT (RUN)
5	-	-
6	-	-
7	A1 14RD	FUSED B(+)
8	A31 14BK/DG*	IGNITION SWITCH OUTPUT (RUN-ACC)
8	A31 14BK/WT	IGNITION SWITCH OUTPUT (RUN-ACC)
9	A21 14DB	IGNITION SWITCH OUTPUT (ST-RUN)
10	A41 14YL	IGNITION SWITCH OUTPUT (ST)



IMMOBILIZER

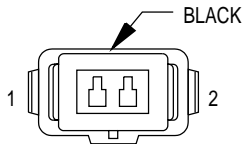
CAV	CIRCUIT	FUNCTION
1	F34 20TN/BK	FUSED B(+)
2	Z1 20BK	GROUND
3	F12 20RD/LG	FUSED IGNITION OUTPUT (ST-RUN)
4	Z12 20BK/LB	GROUND
5	D2 20WT/BK	CCD BUS(-)
6	D1 20VT/BR	CCD BUS(+)

* FRONT FOG LAMPS OR RHD



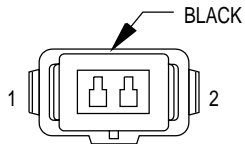
INJECTOR NO.1

CAV	CIRCUIT	FUNCTION
1	F142 18OR/DG	FUSED AUTOMATIC SHUT DOWN RELAY OUTPUT
2	K11 18WT/DB	INJECTOR NO.1 DRIVER



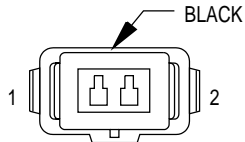
INJECTOR NO.2

CAV	CIRCUIT	FUNCTION
1	F142 18OR/DG	FUSED AUTOMATIC SHUT DOWN RELAY OUTPUT
2	K12 18TN	INJECTOR NO.2 DRIVER



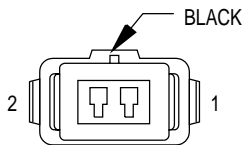
INJECTOR NO.3

CAV	CIRCUIT	FUNCTION
1	F142 18OR/DG	FUSED AUTOMATIC SHUT DOWN RELAY OUTPUT
2	K13 18YL/WT	INJECTOR NO.3 DRIVER



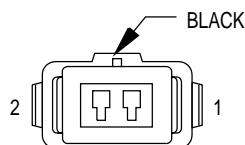
INJECTOR NO.4

CAV	CIRCUIT	FUNCTION
1	F142 18OR/DG	FUSED AUTOMATIC SHUT DOWN RELAY OUTPUT
2	K14 18LB/BR	INJECTOR NO.4 DRIVER



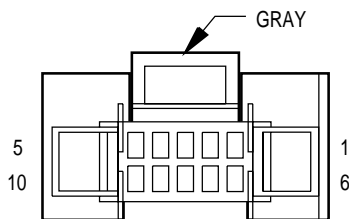
**INJECTOR NO.5
(4.0L)**

CAV	CIRCUIT	FUNCTION
1	F142 18OR/DG	FUSED AUTOMATIC SHUT DOWN RELAY OUTPUT
2	K15 18PK/BK	INJECTOR NO.5 DRIVER



**INJECTOR NO.6
(4.0L)**

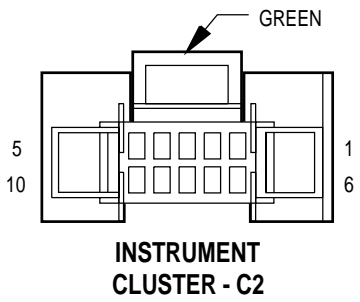
CAV	CIRCUIT	FUNCTION
1	F142 18OR/DG	FUSED AUTOMATIC SHUT DOWN RELAY OUTPUT
2	K16 18LG/BK	INJECTOR NO.6 DRIVER



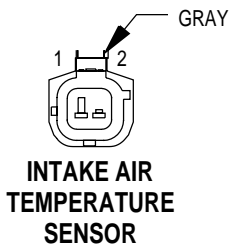
**INSTRUMENT
CLUSTER - C1**

CAV	CIRCUIT	FUNCTION
1	D2 20WT/BK	CCD BUS(-)
2	D1 20VT/BR	CCD BUS(+)
3	C81 20LB/WT*	REAR WINDOW DEFOGGER RELAY CONTROL
4	C80 20DB/LG*	REAR WINDOW DEFOGGER SWITCH SENSE
5	G107 20BK/RD	4WD SENSE
6	L60 18TN	RIGHT TURN SIGNAL
7	-	-
8	G26 20LB	KEY-IN IGNITION SWITCH SENSE
9	Z2 18BK/LG	GROUND
10	G10 20LG/RD	SEAT BELT SWITCH SENSE

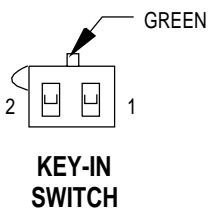
* HARD TOP



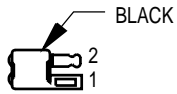
CAV	CIRCUIT	FUNCTION
1	-	-
2	G99 20GY/WT	RED BRAKE WARNING LAMP DRIVER
3	E2 20OR	FUSED PANEL LAMP DIMMER SWITCH SIGNAL
4	G19 20LG/OR	ABS WARNING LAMP DRIVER
5	G34 16RD/GY	HIGH BEAM INDICATOR DRIVER
6	Z2 18BK/LG	GROUND
7	-	-
8	G5 20DB/WT	FUSED IGNITION SWITCH OUTPUT (ST-RUN)
9	M1 20PK/WT	FUSED B(+)
10	L61 18GY	LEFT TURN SIGNAL



CAV	CIRCUIT	FUNCTION
1	K21 18BK/RD	INTAKE AIR TEMPERATURE SENSOR SIGNAL
2	K167 20BR/YL	SENSOR RETURN

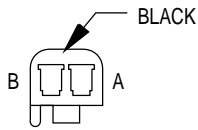


CAV	CIRCUIT	FUNCTION
1	G16 20BK/LB	LEFT DOOR AJAR SWITCH SENSE
2	G26 20LB	KEY-IN IGNITION SWITCH SENSE



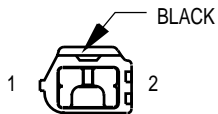
LEFT CITY LAMP (BUILT-UP-EXPORT)

CAV	CIRCUIT	FUNCTION
1	L7 18BK/YL	HEADLAMP SWITCH OUTPUT
2	Z1 18BK	GROUND



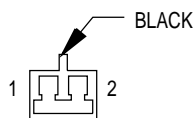
LEFT COURTESY LAMP

CAV	CIRCUIT	FUNCTION
A	M1 20PK/WT	FUSED B(+)
B	M2 20YL	COURTESY LAMP DRIVER



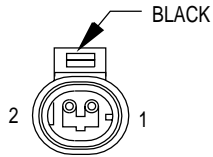
LEFT FOG LAMP

CAV	CIRCUIT	FUNCTION
1	Z1 18BK	GROUND
2	L39 18LB	FOG LAMP RELAY NO. 1 OUTPUT



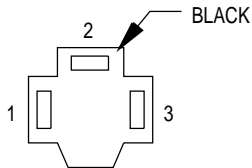
LEFT FRONT SPEAKER

CAV	CIRCUIT	FUNCTION
1	X53 18DG	LEFT FRONT SPEAKER (+)
2	X55 18BR/RD	LEFT FRONT SPEAKER (-)



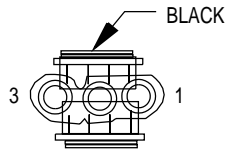
LEFT FRONT WHEEL SPEED SENSOR

CAV	CIRCUIT	FUNCTION
1	B8 18RD/DB	LEFT FRONT WHEEL SPEED SENSOR (-)
2	B9 18RD	LEFT FRONT WHEEL SPEED SENSOR (+)



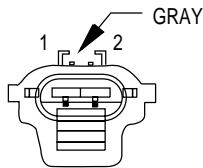
LEFT HEADLAMP

CAV	CIRCUIT	FUNCTION
1	L3 16RD/OR	DIMMER SWITCH HIGH BEAM OUTPUT
	L3 16RD/OR	DIMMER SWITCH HIGH BEAM OUTPUT
2	L4 16VT/WT	DIMMER SWITCH LOW BEAM OUTPUT
3	Z1 20BK	GROUND



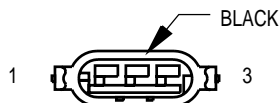
LEFT HEADLAMP LEVELING MOTOR

CAV	CIRCUIT	FUNCTION
1	L22 20LG/DG	HEADLAMP SWITCH FUSED OUTPUT
2	L13 20BR/YL	HEADLAMP ADJUST SIGNAL
3	Z1 20BK	BODY GROUND



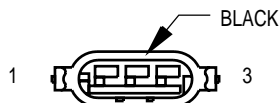
LEFT LICENSE LAMP (BUILT-UP-EXPORT)

CAV	CIRCUIT	FUNCTION
1	L7 18BK/YL	HEADLAMP SWITCH OUTPUT
2	Z1 20BK	GROUND



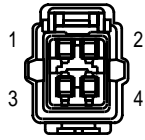
LEFT PARK/TURN LAMP (EXCEPT BUILT-UP-EXPORT)

CAV	CIRCUIT	FUNCTION
1	L61 18GY	LEFT TURN SIGNAL
2	L7 18BK/YL	HEADLAMP SWITCH OUTPUT
3	Z1 18BK	GROUND



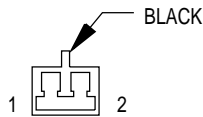
LEFT TURN LAMP (BUILT-UP-EXPORT)

CAV	CIRCUIT	FUNCTION
1	L61 18GY	LEFT TURN SIGNAL
2	-	-
3	Z1 18BK	GROUND



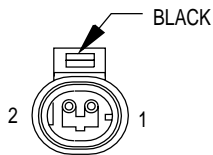
LEFT REAR LAMP ASSEMBLY

CAV	CIRCUIT	FUNCTION
1	L1 20VT/BK	BACK-UP LAMP FEED
	L63 18DG/RD*	LEFT TURN SIGNAL
2	L63 18DG/RD	LEFT TURN SIGNAL
	L1 20VT/BK*	BACK-UP LAMP FEED
3	L7 18BK/YL	HEADLAMP SWITCH OUTPUT
	L5 18WT/TN*	STOP LAMP SWITCH OUTPUT
4	-	-
	L7 18BK/YL*	HEADLAMP SWITCH OUTPUT



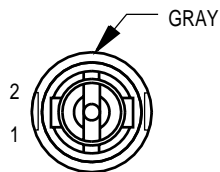
LEFT REAR SPEAKER

CAV	CIRCUIT	FUNCTION
1	X51 20BR/YL	LEFT REAR SPEAKER (+)
2	X57 20BR/LB	LEFT REAR SPEAKER (-)



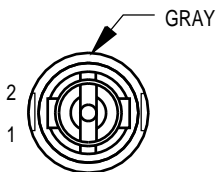
LEFT REAR WHEEL SPEED SENSOR (ABS)

CAV	CIRCUIT	FUNCTION
1	B3 18LG/DB	LEFT REAR WHEEL SPEED SENSOR (-)
2	B4 18LG	LEFT REAR WHEEL SPEED SENSOR (+)



LEFT REPEATER LAMP (BUILT-UP-EXPORT)

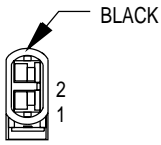
CAV	CIRCUIT	FUNCTION
1	L61 18GY	LEFT TURN SIGNAL
2	Z1 18BK	GROUND



LEFT SIDE MARKER

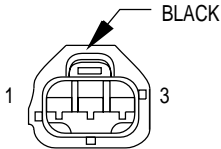
CAV	CIRCUIT	FUNCTION
1	L7 18BK/YL	HEADLAMP SWITCH OUTPUT
2	L61 18GY	LEFT TURN SIGNAL

* BUILT-UP-EXPORT



**LOW NOTE HORN
(EXCEPT BUILT-UP-EXPORT)**

CAV	CIRCUIT	FUNCTION
1	X2 18WT/RD	HORN RELAY OUTPUT
2	Z1 18BK	GROUND



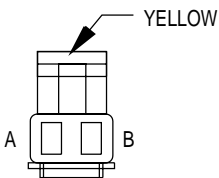
MANIFOLD ABSOLUTE PRESSURE SENSOR

CAV	CIRCUIT	FUNCTION
1	K167 20BR/YL	SENSOR RETURN
2	K1 18DG/RD	MANIFOLD ABSOLUTE PRESSURE SENSOR SIGNAL
3	K7 20OR	5 VOLT SUPPLY



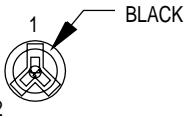
PARK/NEUTRAL POSITION SWITCH (A/T)

CAV	CIRCUIT	FUNCTION
1	F20 18VT/WT	FUSED IGNITION SWITCH OUTPUT (RUN)
2	T41 20BR/LB	PARK/NEUTRAL POSITION SWITCH SENSE
3	L1 18VT/BK	BACK-UP LAMP FEED



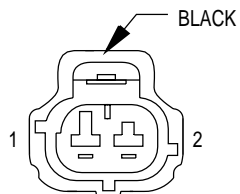
PASSENGER AIRBAG

CAV	CIRCUIT	FUNCTION
A	R44 18DG/YL	PASSENGER AIRBAG LINE 2
B	R42 18BK/YL	PASSENGER AIRBAG LINE 1



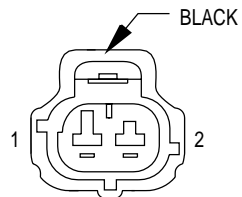
PASSENGER DOOR AJAR SWITCH

CAV	CIRCUIT	FUNCTION
1	M23 20YL/BK	DOOR AJAR SWITCH OUTPUT
2	M2 20YL	COURTESY LAMP DRIVER



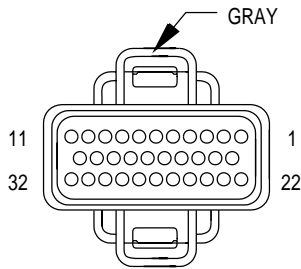
POWER STEERING PRESSURE SWITCH (LHD 2.5L)

CAV	CIRCUIT	FUNCTION
1	Z1 20BK	GROUND
2	K10 18DB/BR	POWER STEERING PRESSURE SWITCH SENSE



POWER STEERING PRESSURE SWITCH (RHD 2.5L)

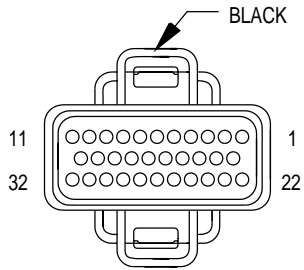
CAV	CIRCUIT	FUNCTION
1	K10 18DB/BR	POWER STEERING PRESSURE SWITCH SENSE
2	Z1 18BK	GROUND



POWERTRAIN CONTROL MODULE - C1

CAV	CIRCUIT	FUNCTION
C1	C13 18DB/OR	A/C COMPRESSOR CLUTCH RELAY CONTROL
C2	-	-
C3	K51 18DB/YL	AUTOMATIC SHUT DOWN RELAY CONTROL
C4	V36 18TN/RD*	SPEED CONTROL VACUUM SOLENOID CONTROL
C5	V35 18LG/RD*	SPEED CONTROL VENT SOLENOID CONTROL
C6	-	-
C7	-	-
C8	-	-
C9	-	-
C10	K106 18WT/DG+	LEAK DETECT PUMP SOLENOID CONTROL
C11	V32 18YL/RD**	SPEED CONTROL ON/OFF SWITCH SENSE
C12	A142 14DG/PK	AUTOMATIC SHUT DOWN RELAY OUTPUT
C13	-	-
C14	K105 18WT/OR+	LEAK DETECT PUMP SWITCH
C15	K118 18PK/YL	BATTERY TEMPERATURE SENSOR SIGNAL
C16	-	-
C17	-	-
C18	-	-
C19	K31 18BR	FUEL PUMP RELAY CONTROL
C20	K52 18PK/BK	DUTY CYCLE EVAP/PURGE SOLENOID CONTROL
C21	-	-
C22	C22 18DB/WT	A/C SWITCH SENSE
C23	C90 18LG	A/C SELECT INPUT
C24	K29 18WT/PK	BRAKE SWITCH SENSE
C25	K72 18DG/OR	VOLTAGE REGULATOR SIGNAL
C26	K226 18DB/LG	FUEL LEVEL SENSOR SIGNAL
C27	D21 18PK	SCI TRANSMIT
C28	D2 18WT/BK	CCD BUS(-)
C29	D20 18LG	SCI RECEIVE
C30	D1 18VT/BR	CCD BUS(+)
C31	-	-
C32	V37 18RD/LG**	SPEED CONTROL SWITCH SIGNAL

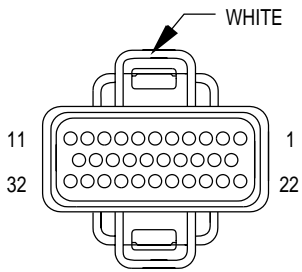
* SPEED CONTROL OR RHD
 ** SPEED CONTROL
 + LHD EXCEPT DRL



**POWERTRAIN
CONTROL
MODULE - C2**

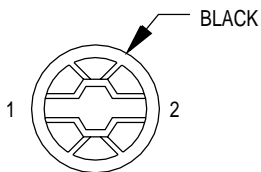
CAV	CIRCUIT	FUNCTION
A1	-	-
A2	F12 18RD/LG	FUSED IGNITION SWITCH OUTPUT (ST-RUN)
A3	-	-
A4	K167 18BR/YL	SENSOR RETURN
A5	-	-
A6	T41 18BR/LB	PARK/NEUTRAL POSITION SWITCH SENSE
A7	K19 18GY	IGNITION COIL DRIVER
A8	K24 18GY/BK	CRANKSHAFT POSITION SENSOR SIGNAL
A9	-	-
A10	K60 18YL/BK	IDLE AIR CONTROL NO.2 DRIVER
A11	K40 18BR/WT	IDLE AIR CONTROL NO.3 DRIVER
A12	K10 18DB/BR*	POWER STEERING PRESSURE SWITCH SENSE
A13	-	-
A14	-	-
A15	K21 18BK/RD	INTAKE AIR TEMPERATURE SENSOR SIGNAL
A16	K2 18TN/BK	ENGINE COOLANT TEMPERATURE SENSOR SIGNAL
A17	K7 18OR	5 VOLT SUPPLY
A18	K44 18TN/YL	CAMSHAFT POSITION SENSOR SIGNAL
A19	K39 18GY/RD	IDLE AIR CONTROL NO.1 DRIVER
A20	K59 18VT/BK	IDLE AIR CONTROL NO.4 DRIVER
A21	-	-
A22	A14 14RD/WT	FUSED B(+)
A23	K22 18OR/DB	THROTTLE POSITION SENSOR SIGNAL
A24	K41 18BK/DG	UPSTREAM HEATED OXYGEN SENSOR SIGNAL
A25	K141 18TN/WT	DOWNSTREAM HEATED OXYGEN SENSOR SIGNAL
A26	-	-
A27	K1 18DG/RD	MANIFOLD ABSOLUTE PRESSURE SENSOR SIGNAL
A28	-	-
A29	-	-
A30	-	-
A31	Z12 14BK/TN	GROUND
A32	Z12 14BK/TN	GROUND

* 2.5L



**POWERTRAIN
CONTROL
MODULE - C3**

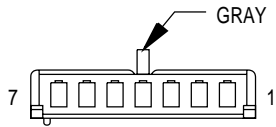
CAV	CIRCUIT	FUNCTION
B1	-	-
B2	-	-
B3	-	-
B4	K11 18WT/DB	INJECTOR NO.1 DRIVER
B5	K13 18YL/WT	INJECTOR NO.3 DRIVER
B6	K15 18PK/BK*	INJECTOR NO.5 DRIVER
B7	-	-
B8	-	-
B9	-	-
B10	K20 18DG	GENERATOR FIELD DRIVER (-)
B11	T23 18OR/LG	TORQUE CONVERTOR CLUTCH SOLENOID CONTROL
B12	K16 18LG/BK*	INJECTOR NO.6 DRIVER
B13	-	-
B14	-	-
B15	K12 18TN	INJECTOR NO.2 DRIVER
B16	K14 18LB/BR	INJECTOR NO.4 DRIVER
B17	-	-
B18	-	-
B19	-	-
B20	-	-
B21	-	-
B22	-	-
B23	G60 18GY/YL	OIL PRESSURE SENSOR SIGNAL
B24	-	-
B25	-	-
B26	-	-
B27	G7 18WT/OR	VEHICLE SPEED SENSOR SIGNAL
B28	-	-
B29	-	-
B30	-	-
B31	K6 18VT/OR	5 VOLT SUPPLY
B32	-	-



**PRNDL LAMP
(LHD)**

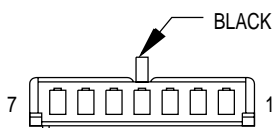
CAV	CIRCUIT	FUNCTION
1	E2 20OR	FUSED PANEL LAMP DIMMER SWITCH SIGNAL
2	Z1 20BK	GROUND

* 4.0L



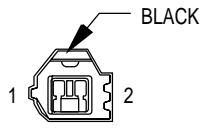
RADIO - C1

CAV	CIRCUIT	FUNCTION
1	-	-
2	X55 18BR/RD	LEFT FRONT SPEAKER(-)
3	X56 18DB	RIGHT FRONT SPEAKER(-)
4	L7 18BK/YL	HEADLAMP SWITCH OUTPUT
5	E2 20OR	FUSED PANEL LAMP DIMMER SWITCH SIGNAL
6	X12 20PK	FUSED IGNITION SWITCH OUTPUT (RUN-ACC)
7	M1 20PK/WT	FUSED B(+)



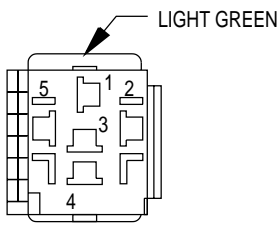
RADIO - C2

CAV	CIRCUIT	FUNCTION
1	-	-
2	X51 18BR/YL	LEFT REAR SPEAKER(+)
3	X52 18DB/WT	RIGHT REAR SPEAKER(+)
4	X53 18DG	LEFT FRONT SPEAKER(+)
5	X54 18VT	RIGHT FRONT SPEAKER(+)
6	X57 18BR/LB	LEFT REAR SPEAKER(-)
7	X58 18DB/PK	RIGHT REAR SPEAKER(-)



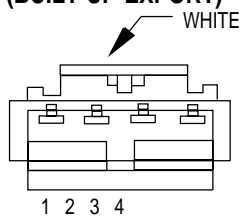
**REAR FOG LAMP
(BUILT-UP-EXPORT)**

CAV	CIRCUIT	FUNCTION
1	L38 18BR/WT	REAR FOG LAMP FEED -
2	Z1 20BK	GROUND



**REAR FOG
LAMP RELAY
(BUILT-UP-EXPORT)**

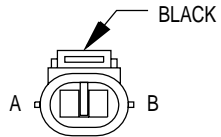
CAV	CIRCUIT	FUNCTION
1	L22 20LG/DG	HEADLAMP POWER TO MULTI SWITCH
2	L95 18DG/YL	FOG LAMP SWITCH TO RELAY
3	Z1 20BK	GROUND
4	L38 20BR/WT	REAR FOG LAMP FEED
	L38 20BR/WT*	REAR FOG LAMP FEED
5	L22 20LG/DG	HEADLAMP POWER TO MULTI SWITCH



**REAR FOG
LAMP SWITCH
(BUILT-UP-EXPORT)**

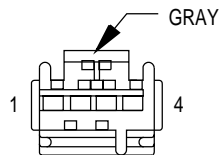
CAV	CIRCUIT	FUNCTION
1	Z1 20BK	GROUND
2	L95 18DG/YL	REAR FOG LAMP CONTROL
3	L38 18BR/WT	REAR FOG LAMP FEED
4	E2 20OR	FUSED PANEL LAMPS DIMMER SWITCH SIGNAL

* RHD



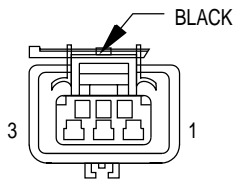
**REAR WASHER
PUMP MOTOR
(HARD TOP)**

CAV	CIRCUIT	FUNCTION
A	V20 18VT/OR	REAR WASHER PUMP MOTOR CONTROL
B	Z1 18BK	GROUND



**REAR WINDOW
DEFOGGER
SWITCH
(HARD TOP)**

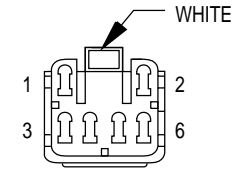
CAV	CIRCUIT	FUNCTION
1	Z1 20BK	GROUND
2	C80 20DB/LG	REAR WINDOW DEFOGGER SWITCH SENSE
3	F81 20DB/RD	FUSED B(+)
4	E2 20OR	FUSED PANEL LAMP DIMMER SWITCH SIGNAL



**REAR WIPER
MOTOR**

CAV	CIRCUIT	FUNCTION
1	V23 18BR/PK	FUSED IGNITION SWITCH OUTPUT (RUN)
2	Z1 16BK	GROUND
3	V13 18BK/LG	REAR WIPER MOTOR CONTROL

* RHD



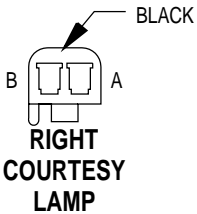
**REAR WIPER/
WASHER SWITCH
(HARD TOP)**

CAV	CIRCUIT	FUNCTION
1	Z1 18BK/WT	GROUND
2	V20 18VT/OR	REAR WASHER PUMP MOTOR CONTROL
3	E2 20OR	FUSED PANEL LAMP DIMMER SWITCH SIGNAL
4	V13 18BR/LG	REAR WIPER MOTOR CONTROL
5	V23 18BR/PK	FUSED IGNITION SWITCH OUTPUT
6	-	-



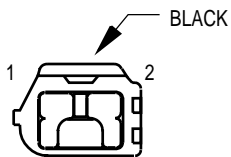
**RIGHT CITY
LAMP
(BUILT-UP-EXPORT)**

CAV	CIRCUIT	FUNCTION
1	L7 18BK/YL	HEADLAMP SWITCH OUTPUT
2	Z1 20BK	GROUND



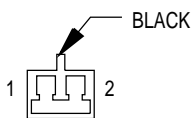
**RIGHT
COURTESY
LAMP**

CAV	CIRCUIT	FUNCTION
A	M1 20PK/WT	FUSED B(+)
B	M2 20YL	COURTESY LAMP DRIVER



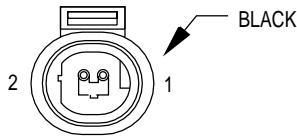
**RIGHT FOG
LAMP**

CAV	CIRCUIT	FUNCTION
1	Z1 18BK	GROUND
2	L39 18LB	FOG LAMP RELAY NO. 1 OUTPUT



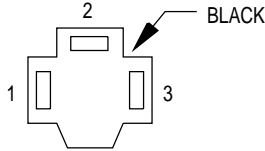
**RIGHT FRONT
SPEAKER**

CAV	CIRCUIT	FUNCTION
1	X54 18VT	RIGHT FRONT SPEAKER (+)
2	X56 18DB	RIGHT FRONT SPEAKER (-)



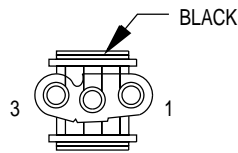
RIGHT FRONT WHEEL SPEED SENSOR (ABS)

CAV	CIRCUIT	FUNCTION
1	B6 18WT/DB	RIGHT FRONT WHEEL SPEED SENSOR (-)
2	B7 18WT	RIGHT FRONT WHEEL SPEED SENSOR (+)



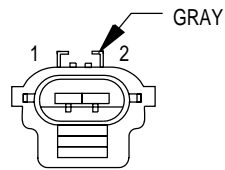
RIGHT HEADLAMP

CAV	CIRCUIT	FUNCTION
1	L3 16RD/OR	DIMMER SWITCH HIGH BEAM OUTPUT
2	L4 16VT/WT	DIMMER SWITCH LOW BEAM OUTPUT
3	Z1 18BK	GROUND



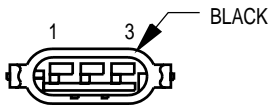
RIGHT HEADLAMP LEVELING MOTOR

CAV	CIRCUIT	FUNCTION
1	L22 20LG/DG	HEADLAMP SWITCH FUSED OUTPUT
2	L13 20BR/YL	HEADLAMP ADJUST SIGNAL
3	Z1 20BK	GROUND



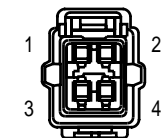
RIGHT LICENSE LAMP (BUILT-UP-EXPORT)

CAV	CIRCUIT	FUNCTION
1	L7 18BK/YL	HEADLAMP SWITCH OUTPUT
2	Z1 20BK	GROUND



RIGHT PARK/TURN LAMP (EXCEPT BUILT-UP-EXPORT)

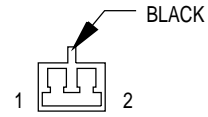
CAV	CIRCUIT	FUNCTION
1	L60 18TN	RIGHT TURN SIGNAL
2	L7 18BK/YL	HEADLAMP SWITCH OUTPUT
3	Z1 18BK	GROUND



RIGHT REAR LAMP ASSEMBLY

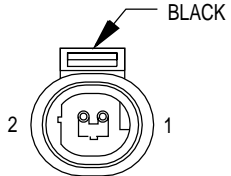
CAV	CIRCUIT	FUNCTION
1	L1 20VT BK	BACK-UP LAMP FEED
	L62 18BR/RD*	RIGHT TURN SIGNAL
2	L62 18BR/RD	RIGHT TURN SIGNAL
	L1 20VT/BK*	BACK-UP LAMP FEED
3	L7 18BK/YL	HEADLAMP SWITCH OUTPUT
	L50 18WT/TN*	STOP LAMP SWITCH OUTPUT
4	L63 18DG/RD	LEFT TURN SIGNAL
	L7 18BK/YL*	HEADLAMP SWITCH OUTPUT

* BUILT-UP-EXPORT



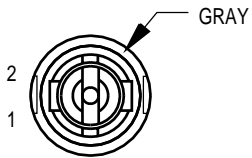
RIGHT REAR SPEAKER

CAV	CIRCUIT	FUNCTION
1	X52 20DB/WT	RIGHT REAR SPEAKER (+)
2	X58 20DB/PK	RIGHT REAR SPEAKER (-)



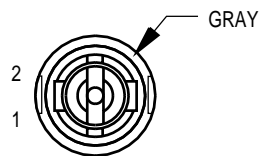
RIGHT REAR WHEEL SPEED SENSOR (ABS)

CAV	CIRCUIT	FUNCTION
1	B1 18YL/DB	RIGHT REAR WHEEL SPEED SENSOR (-)
2	B2 18YL	RIGHT REAR WHEEL SPEED SENSOR (+)



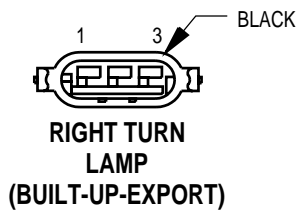
RIGHT REPEATER LAMP (BUILT-UP-EXPORT)

CAV	CIRCUIT	FUNCTION
1	L60 18TN	RIGHT TURN SIGNAL
2	Z1 18BK	GROUND



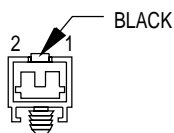
RIGHT SIDE MARKER

CAV	CIRCUIT	FUNCTION
1	L7 18BK/YL	HEADLAMP SWITCH OUTPUT
2	L60 18TN	RIGHT TURN SIGNAL



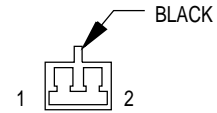
RIGHT TURN LAMP (BUILT-UP-EXPORT)

CAV	CIRCUIT	FUNCTION
1	L60 18TN	RIGHT TURN SIGNAL
2	-	-
3	Z1 18BK	GROUND



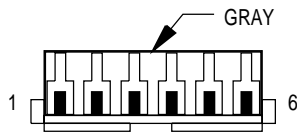
SEAT BELT SWITCH (EXCEPT LHD BUILT-UP-EXPORT)

CAV	CIRCUIT	FUNCTION
1	G10 20LG/RD	SEAT BELT SWITCH SENSE
2	Z1 20BK	GROUND



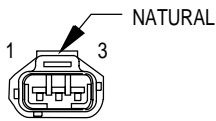
**SOUND BAR
DOME LAMP**

CAV	CIRCUIT	FUNCTION
1	M1 20PK/WT	FUSED B(+)
2	M2 20YL	COURTESY LAMP DRIVER



**STOP LAMP
SWITCH**

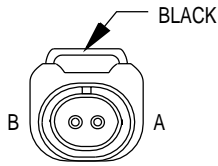
CAV	CIRCUIT	FUNCTION
1	K29 20WT/PK	BRAKE SWITCH SENSE
2	Z1 20BK	GROUND
3	V32 18YL/RD+	SPEED CONTROL ON/OFF SENSE
3	V32 20YL/RD	SPEED CONTROL ON/OFF SENSE
4	V30 20DB/RD	SPEED CONTROL BRAKE SWITCH OUTPUT
5	F32 18PK/DB	FUSED B(+)
6	L50 18WT/TN	STOP LAMP SWITCH OUTPUT



**THROTTLE
POSITION
SENSOR**

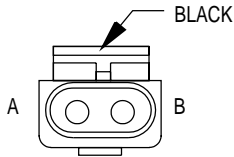
CAV	CIRCUIT	FUNCTION
1	K167 20BR/YL	SENSOR RETURN
2	K22 18OR/DB	THROTTLE POSITION SENSOR SIGNAL
3	K7 20OR	5 VOLT SUPPLY

+ FRONT FOG LAMPS



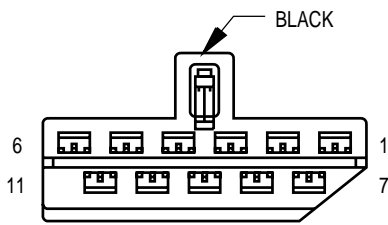
TORQUE CONVERTOR CLUTCH SOLENOID

CAV	CIRCUIT	FUNCTION
A	F12 20RD/LG	FUSED IGNITION SWITCH OUTPUT (ST-RUN)
B	T23 18OR/LG	TRANSMISSION LOW/OVERDRIVE SOLENOID



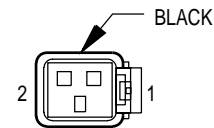
TRANSFER CASE

CAV	CIRCUIT	FUNCTION
A	G107 20BK/RD	4WD SENSE
B	Z1 20BK	GROUND



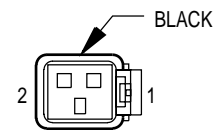
TURN SIGNAL/HAZARD SWITCH

CAV	CIRCUIT	FUNCTION
1	L60 18TN	RIGHT TURN SIGNAL
2	L50 18WT/TN+	STOP LAMP SWITCH OUTPUT
3	L62 18BR/RD	RIGHT TURN SIGNAL
4	L32 16PK	COMBINATION FLASHER OUTPUT
5	L5 20BK/GY	FUSED IGNITION SWITCH OUTPUT (RUN-ACC)
6	L9 16BK/WT	FUSED FLASHER FEED
7	-	-
8	-	-
9	L63 18DG/RD	LEFT TURN SIGNAL
10	L61 18GY	LEFT TURN SIGNAL
11	L55 16RD/WT	COMBINATION FLASHER INPUT



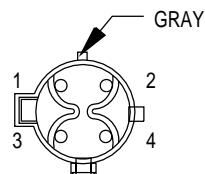
UNDERHOOD LAMP (ABS OR DRL)

CAV	CIRCUIT	FUNCTION
1	Z1 18BK	GROUND
1	Z1 20BK**	GROUND
2	M1 20PK/WT	FUSED B(+)



UNDERHOOD LAMP (EXCEPT ABS OR DRL)

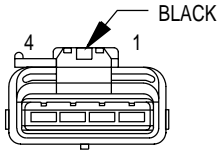
CAV	CIRCUIT	FUNCTION
1	Z1 20BK*	GROUND
1	Z1 18BK++	GROUND
2	M1 20PK/WT	FUSED B(+)



UPSTREAM HEATED OXYGEN SENSOR

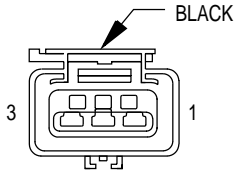
CAV	CIRCUIT	FUNCTION
1	F142 20OR/DG++	FUSED AUTOMATIC SHUT DOWN RELAY OUTPUT
1	F142 18OR/DG*	FUSED AUTOMATIC SHUT DOWN RELAY OUTPUT
2	Z1 18BK	GROUND
3	K167 20BR/YL	SENSOR RETURN
4	K41 18BK/DG	UPSTREAM HEATED OXYGEN SENSOR SIGNAL

* LHD
 ** DRL
 + EXCEPT BUILT-UP-EXPORT
 ++ RHD



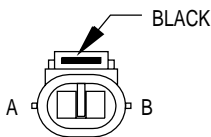
VEHICLE SPEED CONTROL SERVO

CAV	CIRCUIT	FUNCTION
1	V36 20TN/RD	SPEED CONTROL VACUUM SOLENOID CONTROL
1	V36 18TN/RD*	SPEED CONTROL VACUUM SOLENOID CONTROL
2	V35 20LG/RD	SPEED CONTROL VENT SOLENOID CONTROL
2	V35 18LG/RD*	SPEED CONTROL VENT SOLENOID CONTROL
3	V30 20DB/RD	SPEED CONTROL BRAKE SWITCH OUTPUT
4	Z1 20BK**	GROUND
4	Z1 18BK	GROUND



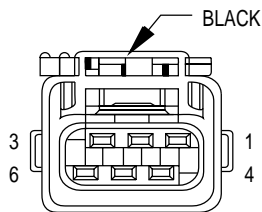
VEHICLE SPEED SENSOR

CAV	CIRCUIT	FUNCTION
1	K6 18VT/OR	5 VOLT SUPPLY
2	K167 20BR/YL	SENSOR RETURN
3	G7 20WT/OR	VEHICLE SPEED SENSOR SIGNAL



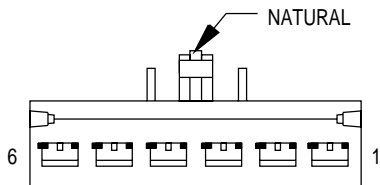
WINDSHIELD WASHER PUMP MOTOR

CAV	CIRCUIT	FUNCTION
A	V10 18BR	WASHER PUMP CONTROL SWITCH OUTPUT
B	Z1 18BK	GROUND



WINDSHIELD WIPER MOTOR

CAV	CIRCUIT	FUNCTION
1	V6 18PK/BK	FUSED IGNITION SWITCH OUTPUT (RUN/ACC)
2	V5 18DG/YL	WIPER PARK SWITCH SENSE
3	-	-
4	Z1 18BK	GROUND
5	V3 18BR/WT	LOW SPEED WIPER SWITCH OUTPUT
6	V4 18RD/YL	WIPER SWITCH HIGH SPEED OUTPUT



WINDSHIELD WIPER SWITCH

CAV	CIRCUIT	FUNCTION
1	Z1 20BK	GROUND
2	V5 18DG/YL	WIPER PARK SWITCH SENSE
3	V10 18BR	WASHER PUMP CONTROL SWITCH OUTPUT
4	V3 18BR/WT	LOW SPEED SWITCH OUTPUT
5	V6 18PK/BK	FUSED IGNITION SWITCH OUTPUT (RUN/ACC)
6	V4 18RD/YL	WIPER SWITCH HIGH SPEED OUTPUT

* RHD OR DRL
** DRL AND ABS

8W-90 CONNECTOR/GROUND LOCATIONS

DESCRIPTION AND OPERATION

INTRODUCTION

This section provides illustrations identifying component and connector locations in the vehicle. A connector index is provided. Use the wiring diagrams in

each section for connector number identification. Refer to the index for the proper figure number.

CONNECTOR/GROUND LOCATIONS (LHD)

For items that are not shown in this section a N/S is placed in the Fig. column.

Connector Name/Number	Color	Location	Fig.
A/C Compressor Clutch	BK	Right Front of Engine	10
A/C Low Pressure Switch	BK	Right Rear of Engine Compartment	N/S
A/C High Pressure Switch	BK	On A/C Compressor	10
A/C Heater Control - C1	BK	Rear of Blower Motor Switch	14
A/C Heater Control - C2	BK	Rear of Lamp	14
A/C Heater Control - C3	BK	Rear of A/C Heater Control Switch	14
ABS Diode	BK	Top Left of Dash Panel	2
ABS Pump Motor	BK	Left Fender Side Shield	5
Airbag Control Module	YL	Front of Floor Pan Tunnel	13, 15
Backup Lamp Switch	BK	Right Side of Transmission	12
Battery Temperature Sensor	BK	Under Battery Tray	3
Blower Motor Relay	BK	On HVAC Module	N/S
Blower Motor Resistor Block - C1	BK	On HVAC Module	N/S
Blower Motor Resistor Block - C2	BK	On HVAC Module	N/S
Brake Shift Interlock Solenoid	WT	Near Steering Column	16

Connector Name/Number	Color	Location	Fig.
Brake Warning Switch	BK	On Brake Master Cylinder	2
C101	GY	Right Fender Side Shield	2
C103	BK	On Dash Panel	2
C104	BK	Rear of Engine	2
C106	BK	Left Kick Panel	2,13
C107	YL	Left Kick Panel	2,13
C108	BL	Left Kick Panel	2,13
C110	BK	Left Fender Side Shield	4
C154	BK	Top Right Side of Transmission	9,12
C170	GY	Left Kick Panel	2,14
C180		Near T/O For Brake Warning Switch	N/S
C202	GY	Left Kick Panel	13, 14
C203	GN	Left Kick Panel	13, 14
C204	RD	Left Kick Panel	14
C211	BK	Right Rear of Instrument Panel	17
C300	BK	Top of Clutch Pedal Bracket	18
C322	BK	Left Kick Panel	13, 18
C323	RD	Left Kick Panel	13, 18
C325	WT	Left Side of Sound Bar	18
C326	BK	Left Rear Quarter Panel	18
C329	BK	Left Side of Rear Bumper	19
Camshaft Position Sensor	BK	Below Distributor	9

DESCRIPTION AND OPERATION (Continued)

Connector Name/Number	Color	Location	Fig.
Center High Mounted Stop Lamp (CHMSL)		Near Right Rear Lamp Assembly	19
Cigar Lighter/Accessory Relay	BK	Bottom of Instrument Panel Near Steering Column	18
Cigar Lighter/Power Outlet	BK	Rear of Cigar Lighter	14
Clockspring C1	BK	Rear of Clockspring	16
Clockspring C2	NAT	Rear of Clockspring	16
Clutch Pedal Position Switch	BK	Top of Clutch Pedal Bracket	13
Combination Flasher	BK	Bottom of Instrument Panel Near Steering Column	13
Controller Anti-Lock Brake-C1	GY	Top Left of Dash Panel	2,15
Controller Anti-Lock Brake-C2	GY	Top Left of Dash Panel	2,15
Crankshaft Position Sensor	BK	At Rear of Intake Manifold	11
Data Link Connector	BK	Bottom of Instrument Panel Near Steering Column	14
Daytime Running Lamp Module	BK	Left Side of Dash Panel	3
Dome Lamp		At Dome Lamp	N/S
Downstream Heated Oxygen Sensor	BK	Rear of Catalytic Converter	12
Driver Airbag	YL	Rear of Airbag	16
Duty Cycle Evap/Purge solenoid	BK	Left Fender Side Shield	4
Engine Coolant Temperature Sensor	BK	On Thermostat Housing	7, 8

Connector Name/Number	Color	Location	Fig.
Engine Oil Pressure Sensor	BK	Right Side of Engine Block	9
Engine Starter Motor		Right Side of Engine	10
EVAP Leak Detection Pump	BK	Near EVAP Canister	N/S
Fog Lamp Relay #1	BK	Bottom Right of Instrument Panel	13
Fog Lamp Relay #2		Bottom Right of Instrument Panel	13
Fog Lamp Switch	BK	Rear of Fog Lamp Switch	14
Fuel Pump Module	BK	Above Fuel Tank	1
Fuse Block		Right Side of Instrument Panel	13
G100		Left Side of Dash Panel	2
G101		Center of Dash Panel	2
G102		Left Radiator Closure Panel	4
G103		Right Radiator Closure Panel	1
G104		Rear of Generator	10
G105		Right Rear of Engine Block	10
G106		Right Rear of Engine Block	10
G107		Right Rear of Engine Block	10
G200		Left Rear of Instrument Panel	14
G201		Left Rear of Instrument Panel	17
G202		Right Rear of Instrument Panel	17
G300		Left Kick Panel	13

DESCRIPTION AND OPERATION (Continued)

Connector Name/Number	Color	Location	Fig.
G301		Right Kick Panel	13
G302		Left Kick Panel	13
G-Switch	BK	Front on Floor Pan Tunnel	15
Generator		Rear of Generator	10
Headlamp Leveling Switch	BK	Left of Instrument Panel	14
Headlamp Dimmer Switch	RD	On Steering Column Part of Multifunction Switch	16
Headlamp Switch	BK	Rear of Switch	14
High Note Horn	BK	Left Front Fender Side Shield	4
Horn Switch	BK	Rear of Airbag	16
Hydraulic Control Unit	BK	Left Fender Side Shield	5
Idle Air Control Motor	BK	Side of Throttle Body	8
Ignition Coil	GY	Right Side of Engine	10
Ignition Switch	GY	Rear of Ignition Switch	16
Immobilizer	BK	At Immobilizer	13
Injector #1	BK	At Injector	7, 8
Injector #2	BK	At Injector	7, 8
Injector #3	BK	At Injector	7, 8
Injector #4	BK	At Injector	7, 8
Injector #5	BK	At Injector	8
Injector #6	BK	At Injector	8
Instrument Cluster - C1	GY	Rear of Cluster	14
Instrument Cluster - C2	BK	Rear of Cluster	14
Intake Air Temperature Sensor	GY	Rear of Intake Manifold	7, 8
Key-In Switch	GN	At Key-In Switch	16
Left City Lamp	BK	At Lamp	N/S

Connector Name/Number	Color	Location	Fig.
Left Courtesy Lamp	BK	Left Side of Instrument Panel	14
Left Door Ajar Switch	NAT	Left "A" Pillar	13
Left Fog Lamp	BK	Left Side of Bumper	N/S
Left Front Speaker	BK	At Speaker	14
Left Front Wheel Speed Sensor	BK	Left Fender Side Shield	5
Left Headlamp	BK	Rear of Lamp	4
Left Headlamp Leveling Motor	BK	At Lamp	4
Left License Lamp	BK	At Lamp	19
Left Park/Turn Signal Lamp	BK	At Lamp	N/S
Left Rear Lamp Assembly	BK	At Lamp	19
Left Rear Speaker	BK	At Sound Bar	N/S
Left Side Marker Lamp	GY	At Lamp	N/S
Left Rear Wheel Speed Sensor	BK	Left Rear Rail	1
Low Note Horn	BK	Left Fender Side Shield	4
Manifold Absolute Pressure Sensor	BK	Side of Throttle Body	7, 8
Park Brake Switch	BK	At Parking Brake Lever	18
Park/Neutral Position Switch	BK	Left Side of Transmission	19
Passenger Airbag	YL	Rear of Airbag	17
Power Steering Pressure Switch	BK	Near Power Steering Pump	7
Powertrain Control Module - C1	GY	Left Rear of Engine	3
Powertrain Control Module - C2	BK	Right Rear of Engine	3

DESCRIPTION AND OPERATION (Continued)

Connector Name/Number	Color	Location	Fig.
Powertrain Control Module - C3	WT	Right Rear of Engine	3
PRNDL Lamp	BK	Rear of Lamp	13
Radio - C1	GY	Rear of Radio	14
Radio - C2	BK	Rear of Radio	14
Rear Fog Lamp	BK	At Lamp	19
Rear Fog Lamp Switch	BK	At Switch	17
Rear Fog Smart Relay	BK	At Relay	N/S
Rear Washer Pump Motor	BK	Left Fender Side Shield	4
Rear Window Defogger Switch	GY	Behind Rear Window Defogger Switch	14
Rear Window Defogger		At Defogger	N/S
Rear Wiper Motor	BK	At Rear Wiper Motor	N/S
Rear Wiper/Washer Switch	WT	Behind Rear Wiper/Washer Switch	14
Right City Lamp	BK	At Lamp	1
Right Courtesy Lamp	BK	Right Side of Instrument Panel	17
Right Door Ajar Switch	BK	Right "A" Pillar	13
Right Fog Lamp	BK	Right Side of Bumper	1
Right Front Speaker	BK	At Speaker	17
Right Front Wheel Speed Sensor	BK	Right Fender Side Shield	11
Right Headlamp	BK	At Lamp	1
Right Headlamp Leveling Motor	BK	Near Lamp at Motor	1
Right License Lamp	BK	At Lamp	19
Right Park/Turn Signal Lamp	BK	At Lamp	1
Right Rear Lamp Assembly	BK	At Lamp	19

Connector Name/Number	Color	Location	Fig.
Right Rear Speaker	BK	At Sound Bar	N/S
Right Rear Wheel Speed Sensor	BK	Left Rear Rail	1
Right Repeater Lamp	GY	At Lamp	N/S
Right Side Marker Lamp	GY	At Lamp	4
Seat Belt Switch	BK	At Left Seat Belt Buckle	18
Sound Bar Dome Lamp	BK	At Sound Bar	N/S
Speed Control Servo	BK	At Speed Control Servo	N/S
Stop Lamp Switch	GY	Top of Brake Pedal Bracket	13
Throttle Position Sensor	NAT	Side of Throttle Body	7,8
Torque Converter Clutch Solenoid	BK	Left Side of Transmission	N/S
Transfer Case Switch	BK	Left Side of Transfer Case	12
Turn Signal/Hazard Switch	BK	At Steering Column Part of Multifunction Switch	16
Underhood Lamp	BK	Under Hood	2
Upstream Heated Oxygen Sensor	GY	On Front Exhaust Pipe	7,8
Vehicle Speed Sensor	BK	Left Rear of Transfer Case	12
Windshield Washer Pump Motor	BK	Under Washer Fluid Reservoir	4
Windshield Wiper Motor	BK	Center of Cowl Panel	4
Wiper Switch	NAT	At Steering Column Part of Multifunction Switch	16

DESCRIPTION AND OPERATION (Continued)

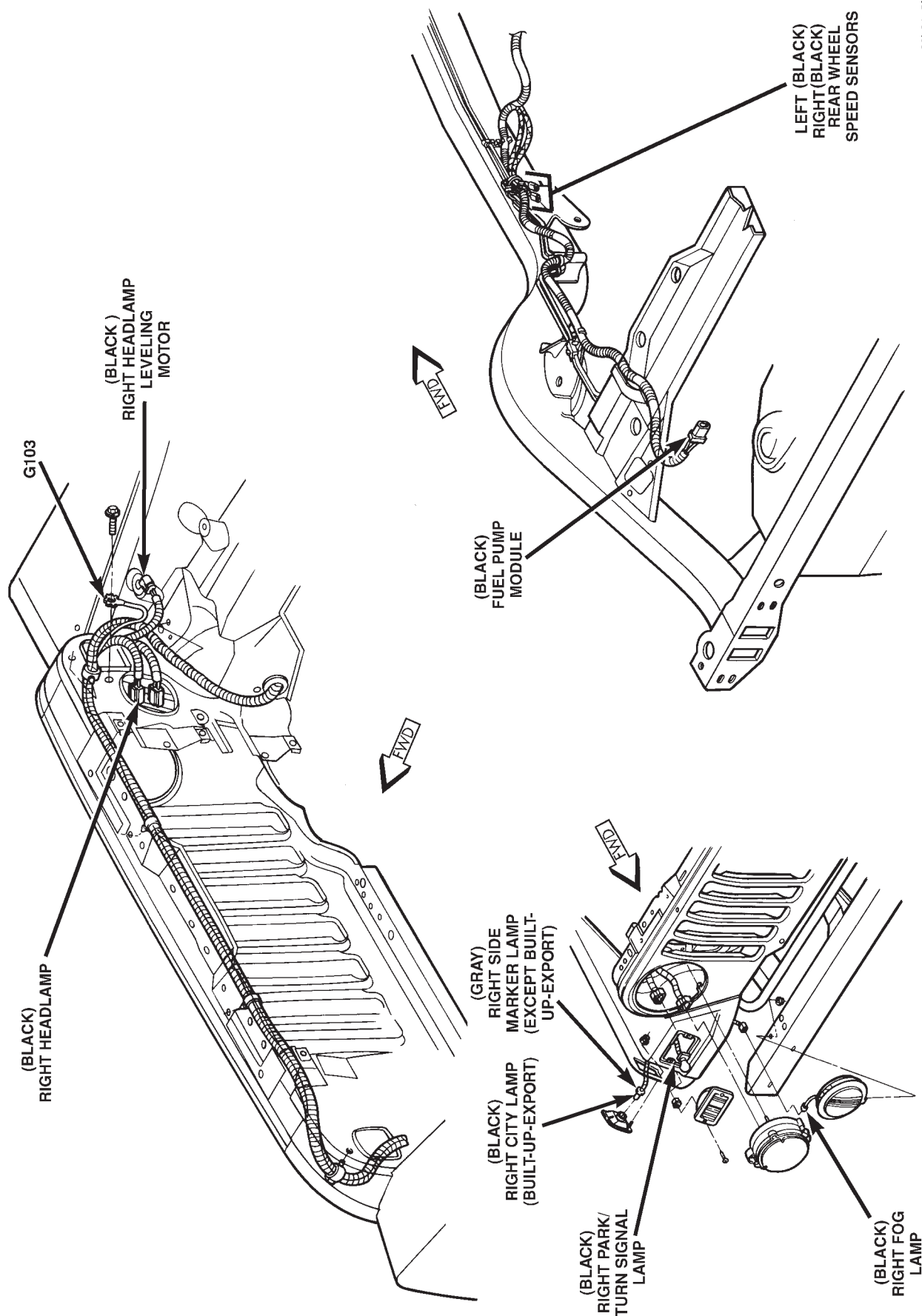


Fig. 1 Front End Wiring Connectors — LHD

DESCRIPTION AND OPERATION (Continued)

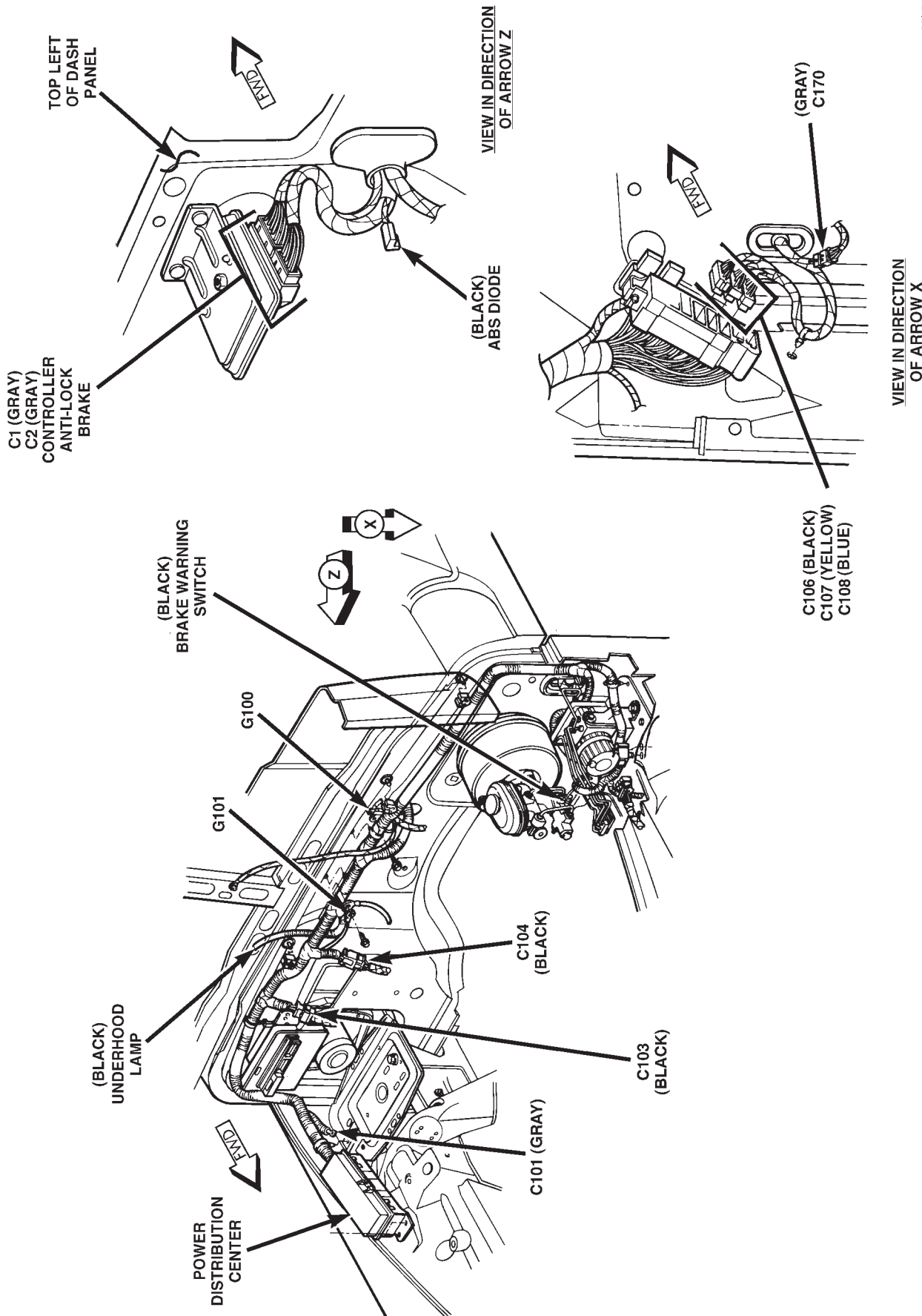
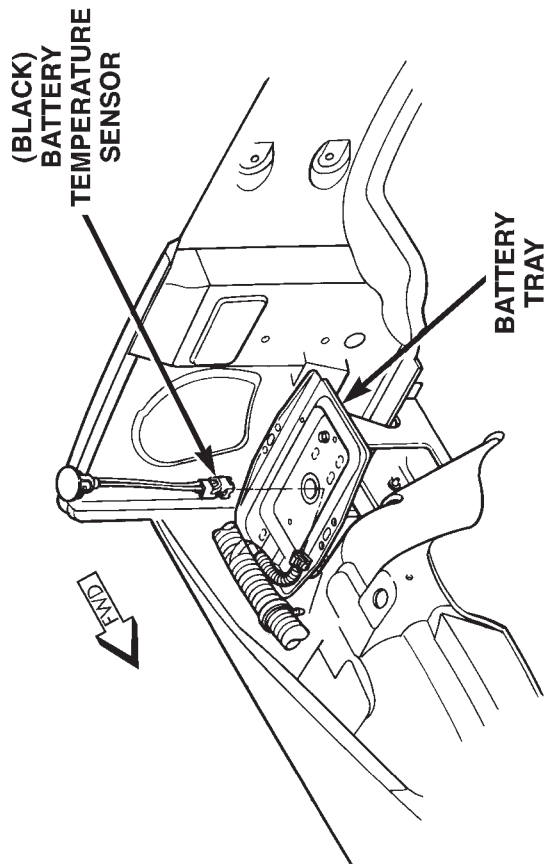
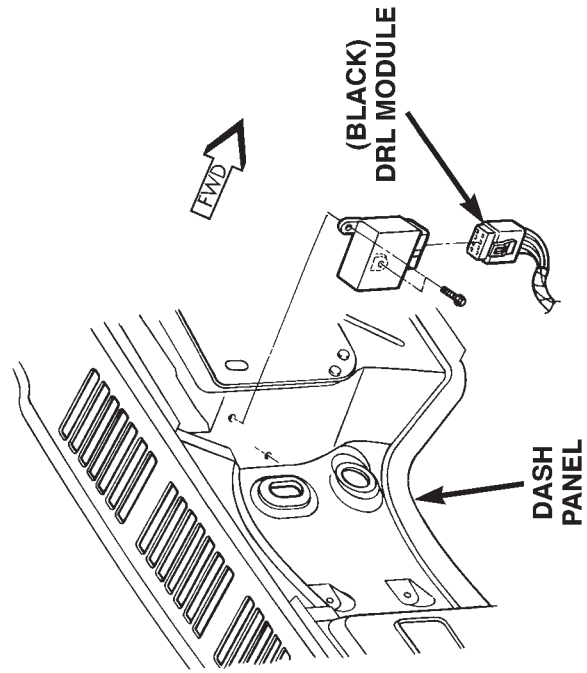
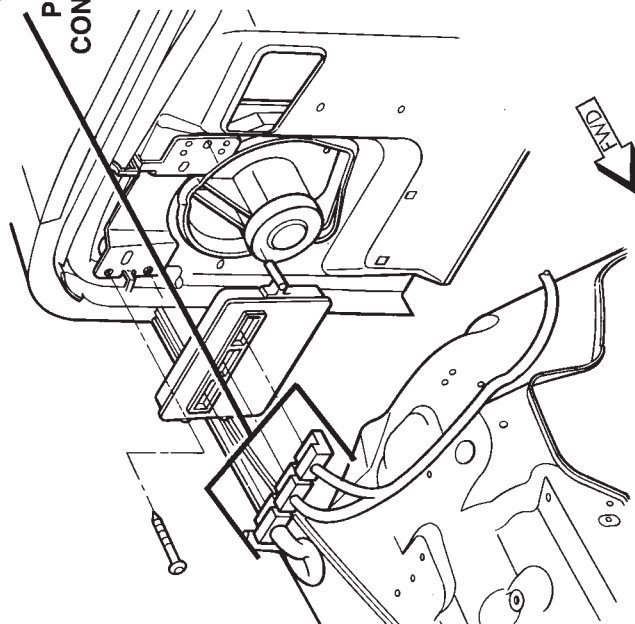


Fig. 2 Engine Compartment Connectors — Rear, LHD

DESCRIPTION AND OPERATION (Continued)



C1 (GRAY)
C2 (BLACK)
C3 (WHITE)
POWERTRAIN
CONTROL MODULE



80b31e61

Fig. 3 Engine Compartment Connectors — LHD

DESCRIPTION AND OPERATION (Continued)

80c31e62

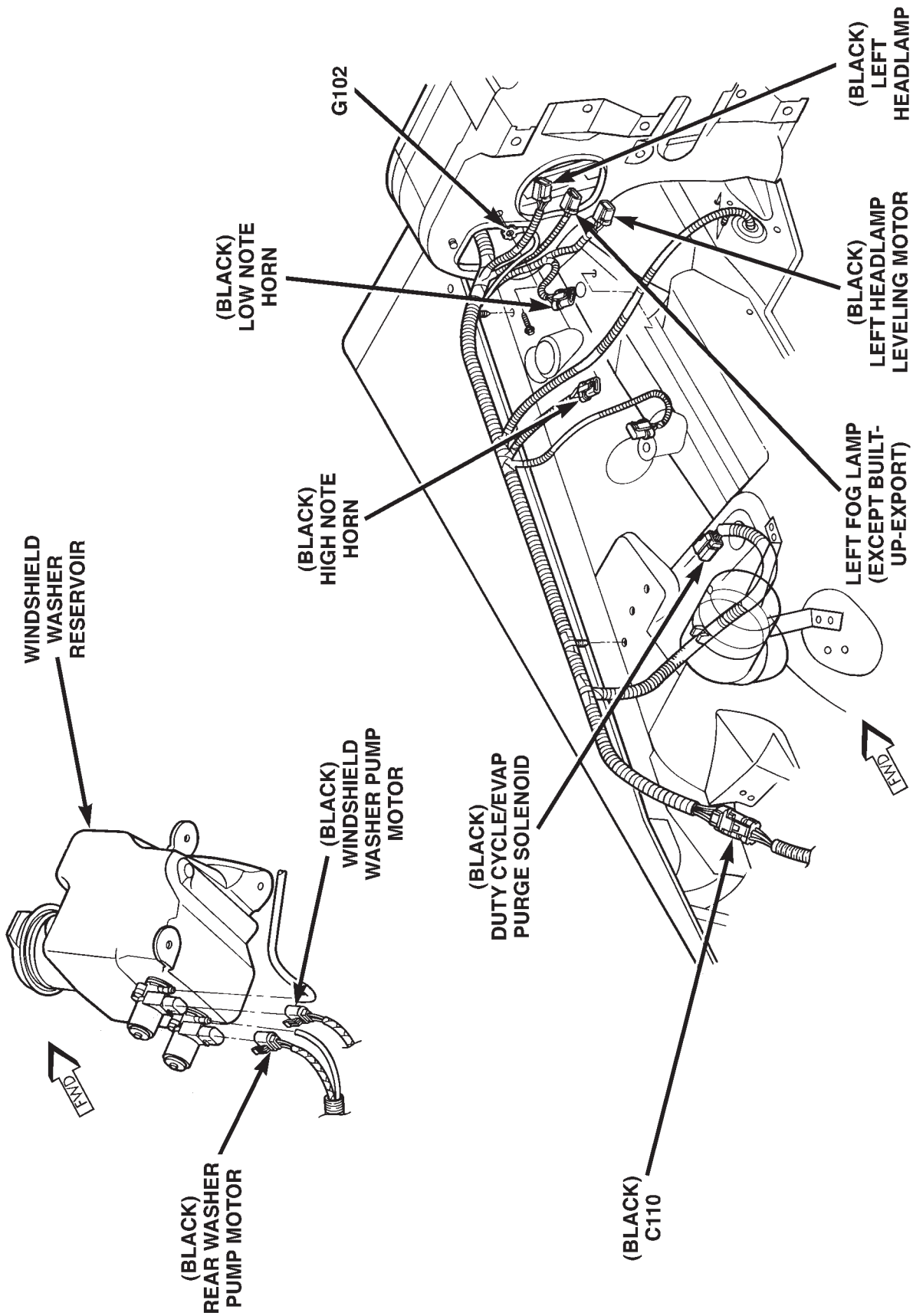
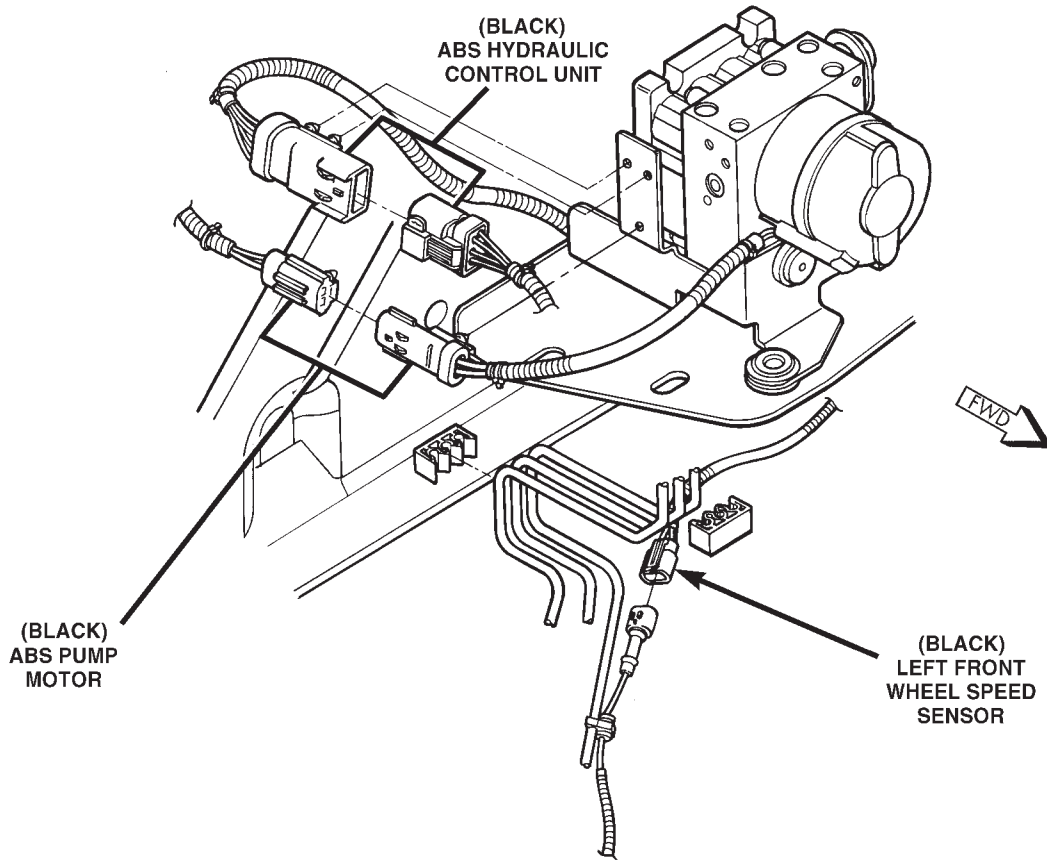


Fig. 4 Engine Compartment Connectors — Front Side, LHD

DESCRIPTION AND OPERATION (Continued)



80b2b6b0

Fig. 5 ABS Hydraulic Control Unit — LHD

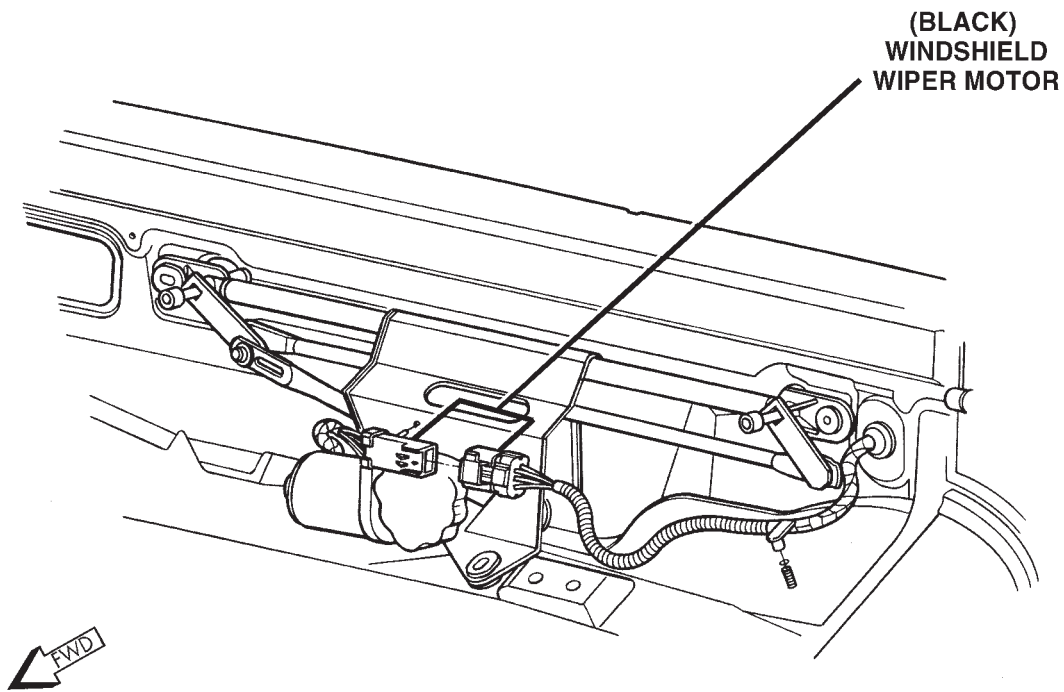
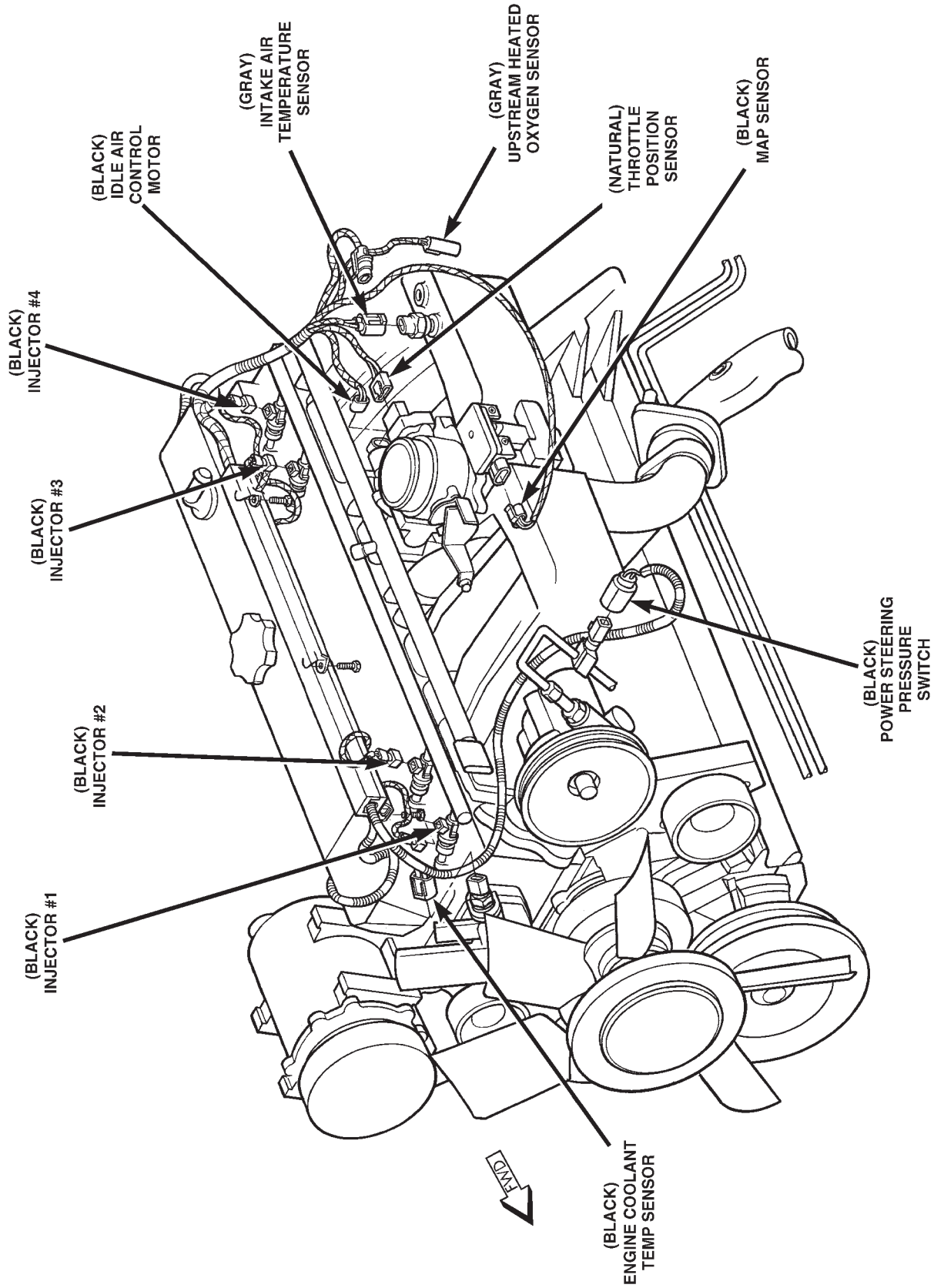


Fig. 6 Windshield Wiper Motor — LHD

80b2b6c0

DESCRIPTION AND OPERATION (Continued)



80b31e63

Fig. 7 Engine Harness Connectors — 2.5L Engine, LHD

DESCRIPTION AND OPERATION (Continued)

80031e64

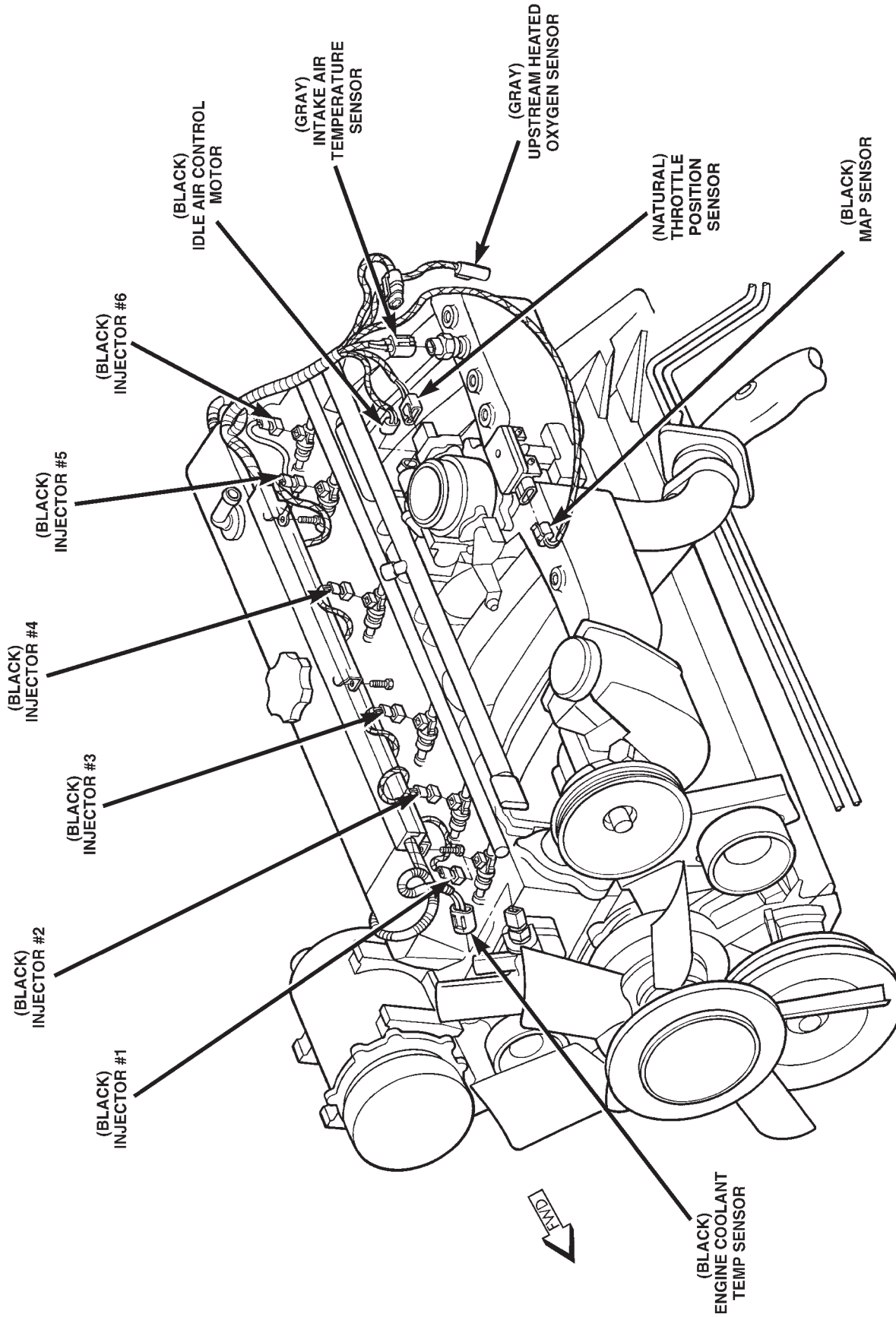


Fig. 8 Engine Harness Connectors — 4.0L Engine, LHD

DESCRIPTION AND OPERATION (Continued)

80b31e65

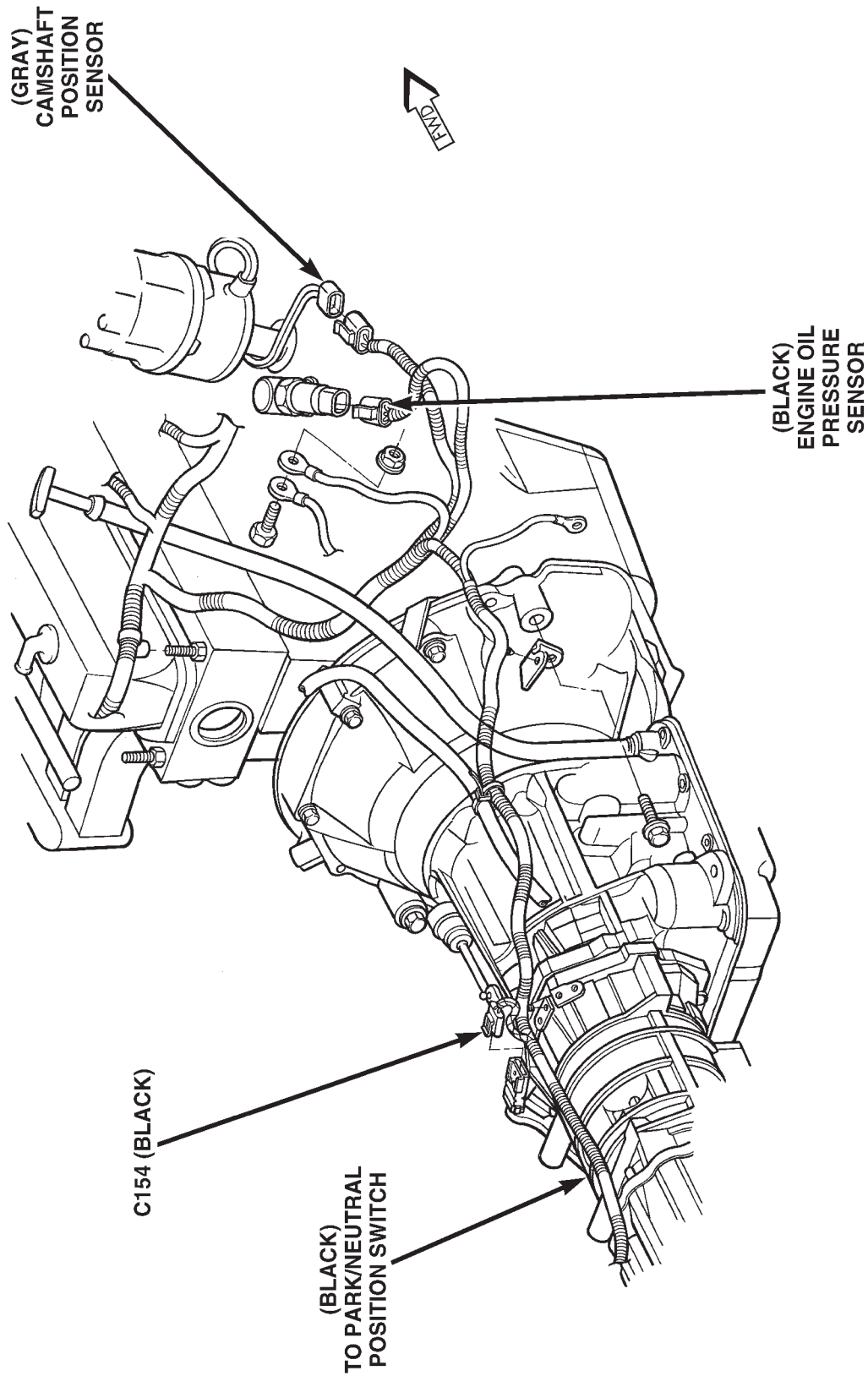
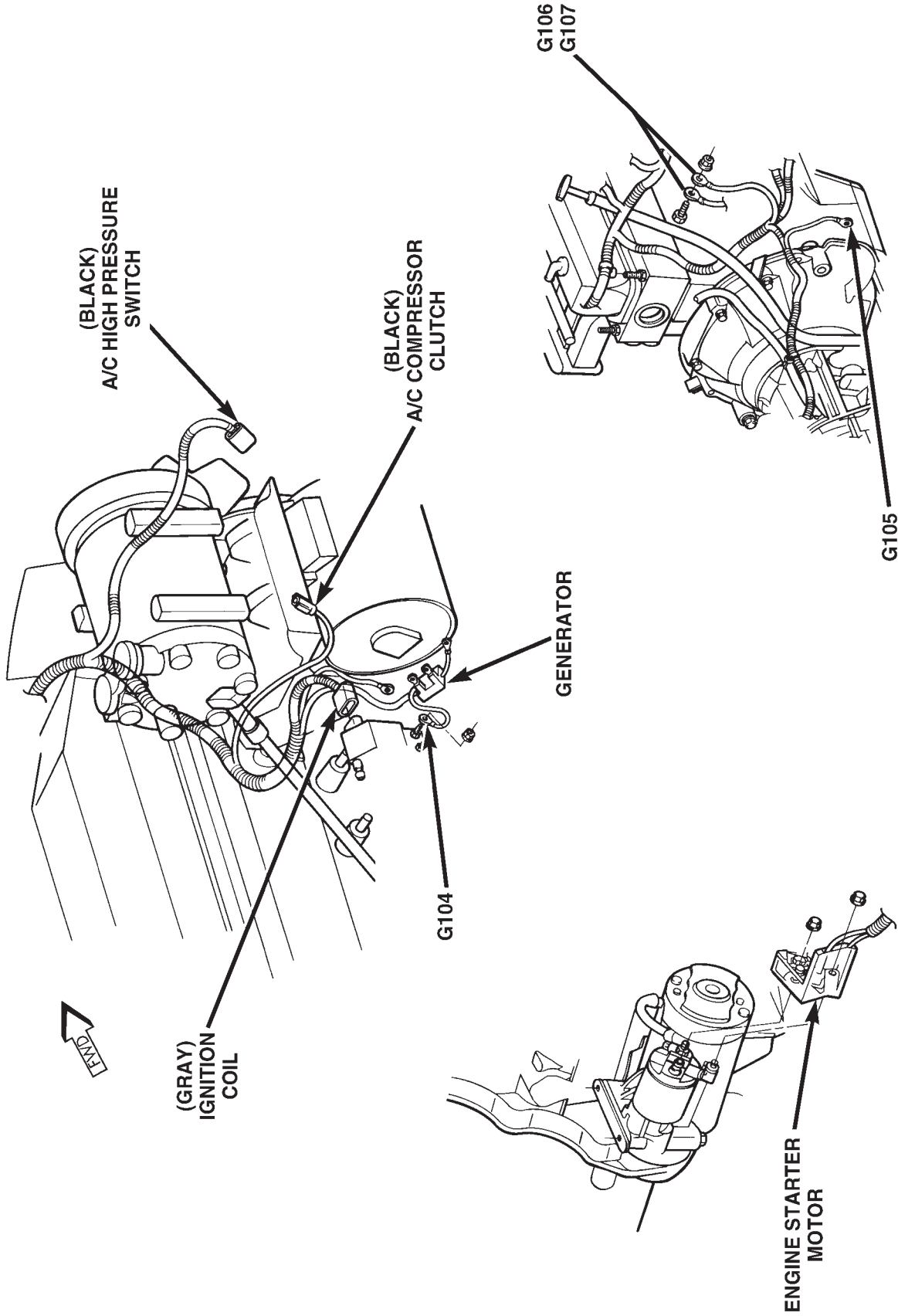


Fig. 9 Engine and Automatic Transmission Connectors — LHD

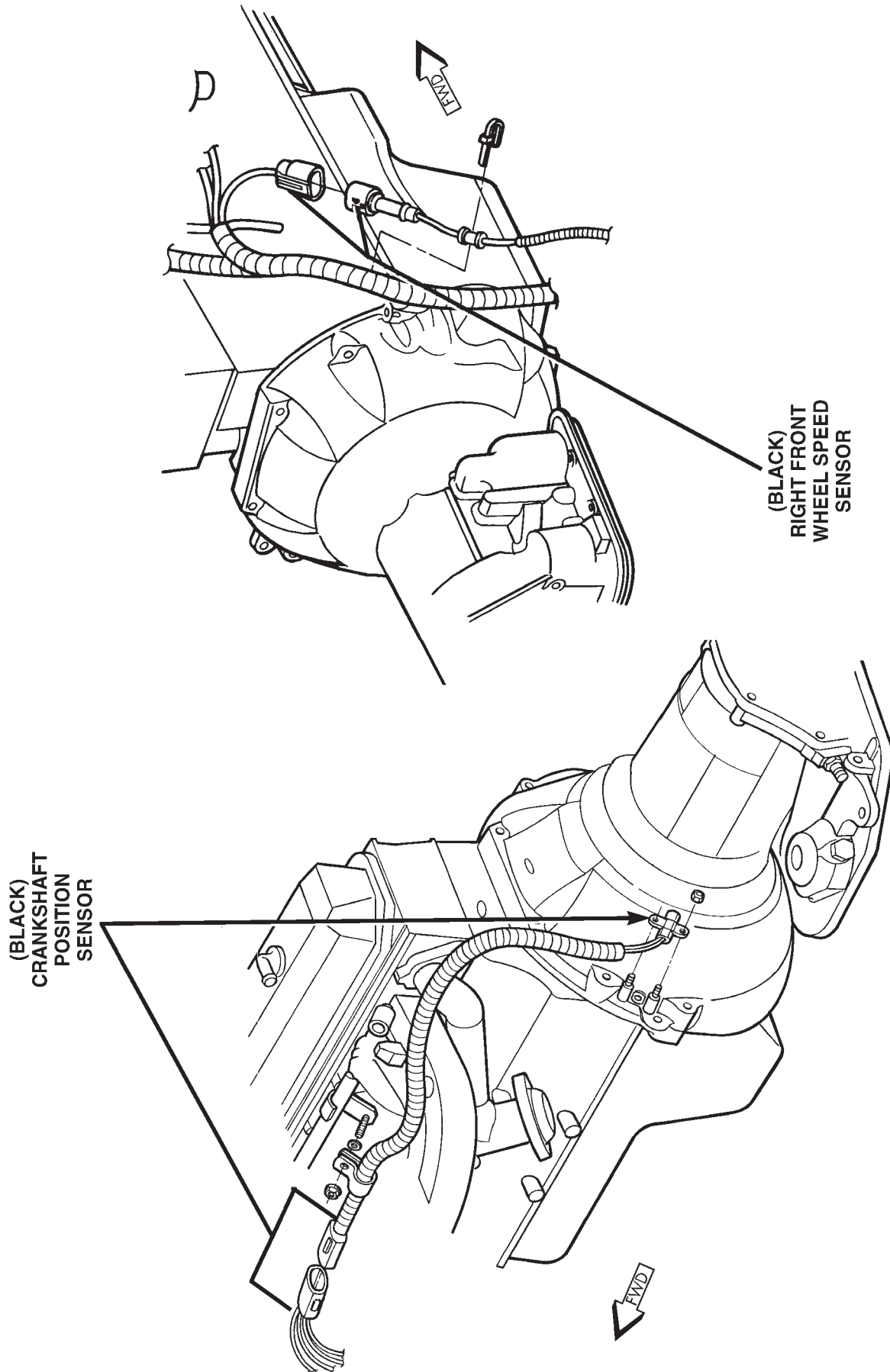
DESCRIPTION AND OPERATION (Continued)



80b31e66

Fig. 10 Engine Grounds — LHD

DESCRIPTION AND OPERATION (Continued)



80b31e67

Fig. 11 Crankshaft Position Sensor and Right Front Wheel Speed Sensor — LHD

DESCRIPTION AND OPERATION (Continued)

80b31e68

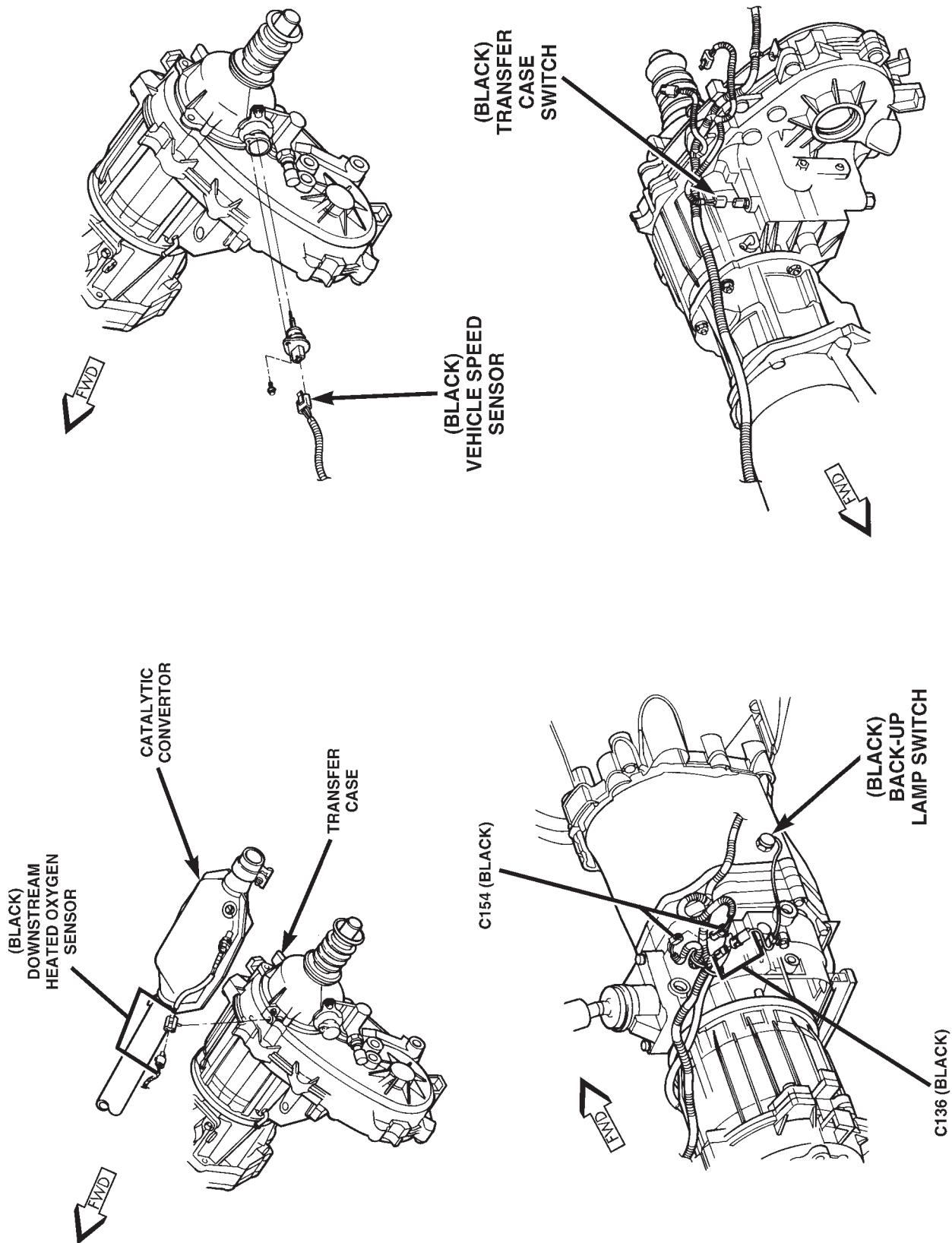


Fig. 12 Transmission and Transfer Case Connectors — LHD

DESCRIPTION AND OPERATION (Continued)

80631e69

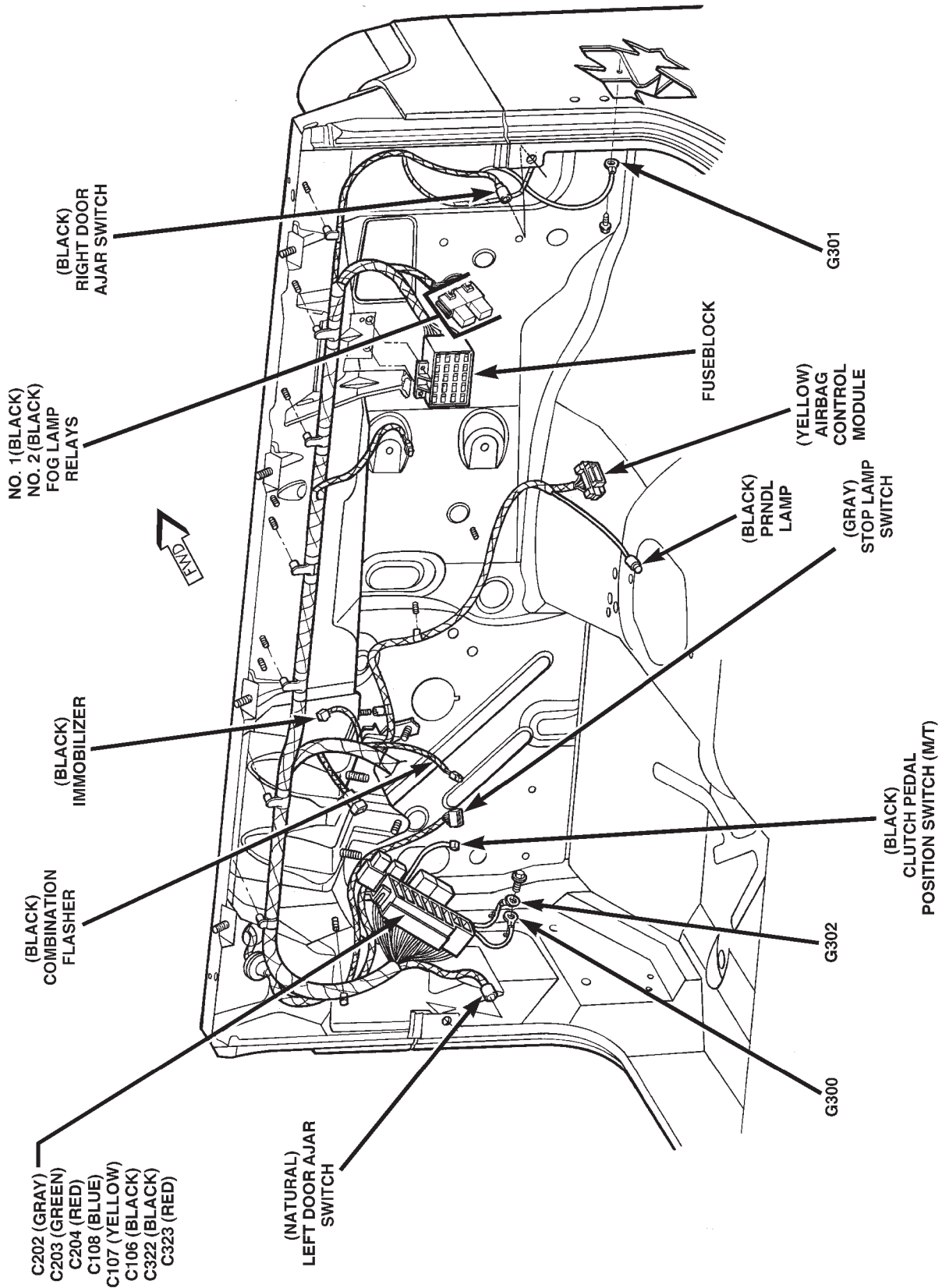


Fig. 13 Dash Panel Connectors — LHD

DESCRIPTION AND OPERATION (Continued)

80b31e6a

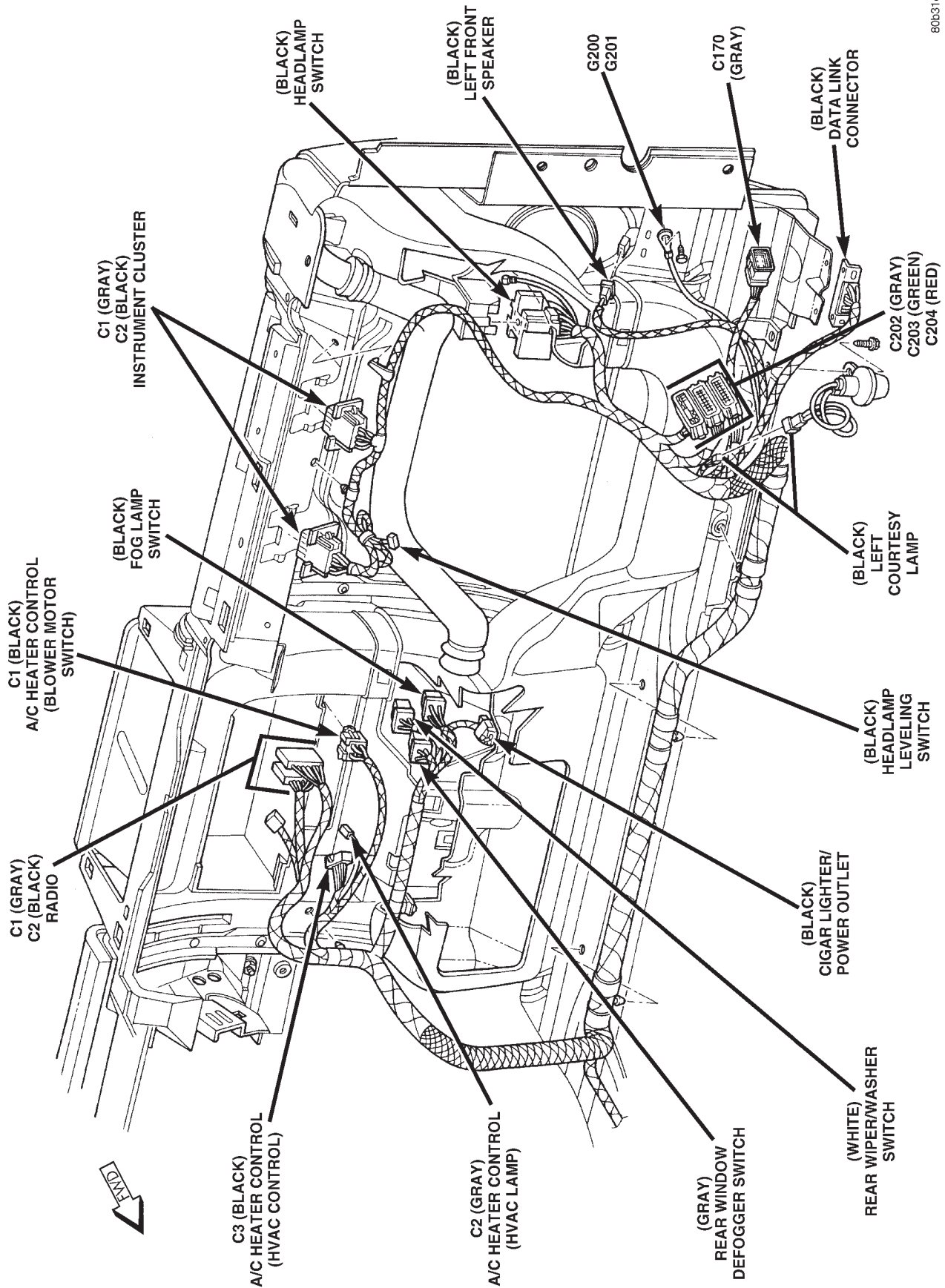


Fig. 14 Instrument Panel Wiring Connectors — LHD

DESCRIPTION AND OPERATION (Continued)

80b31e6b

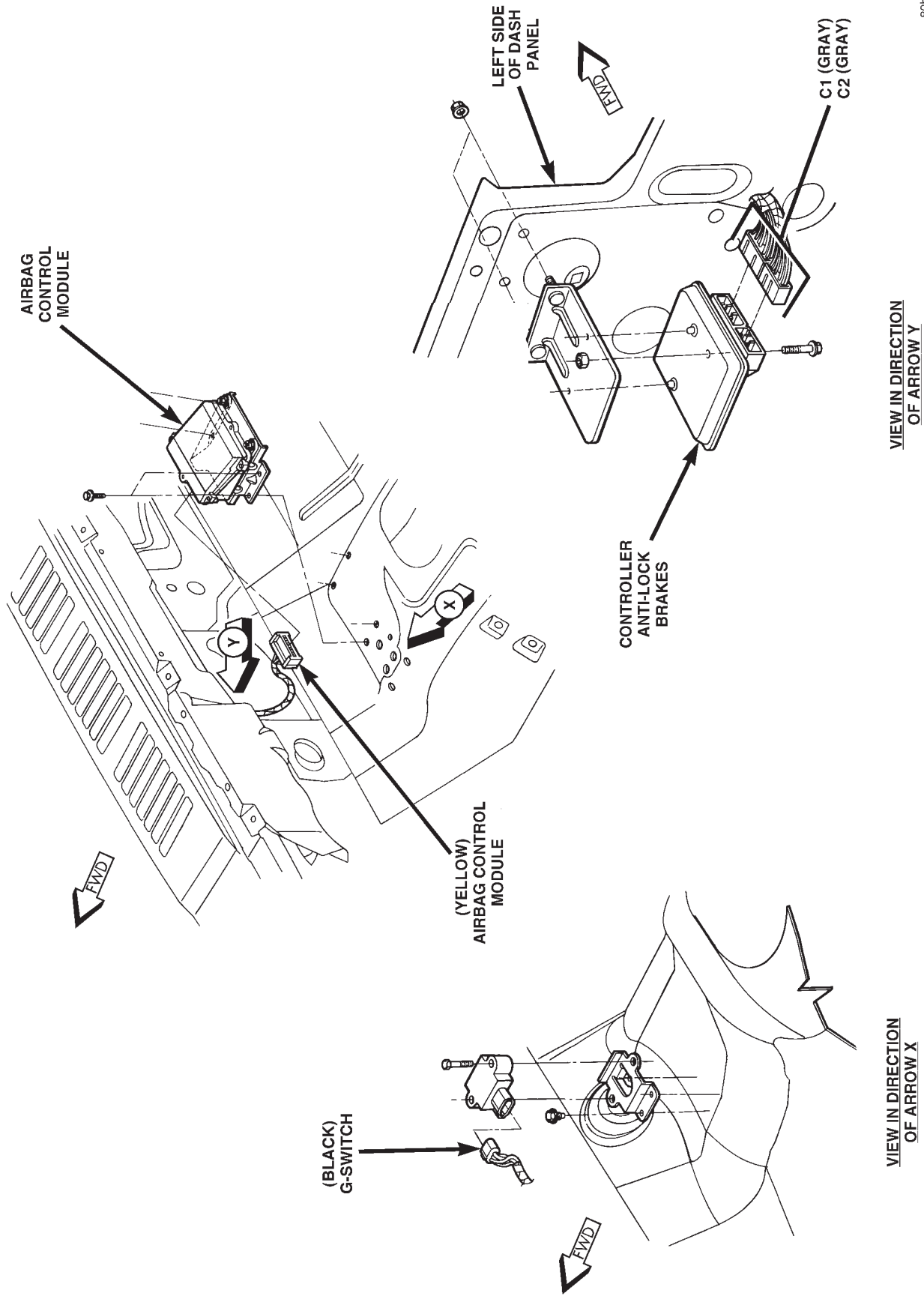


Fig. 15 Airbag Control Module and Controller, Antilock Brakes — LHD

DESCRIPTION AND OPERATION (Continued)

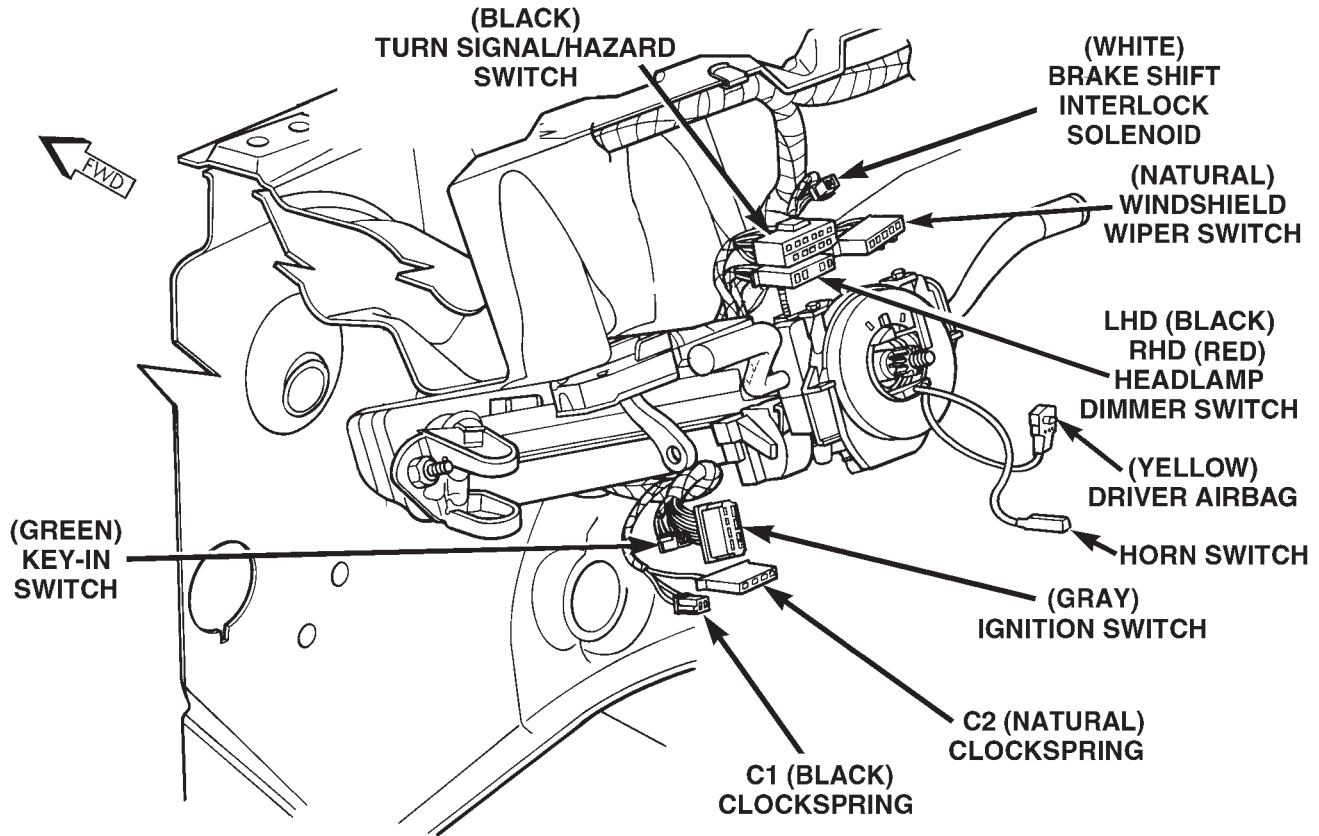


Fig. 16 Steering Column Connectors — LHD

80b2b6cd

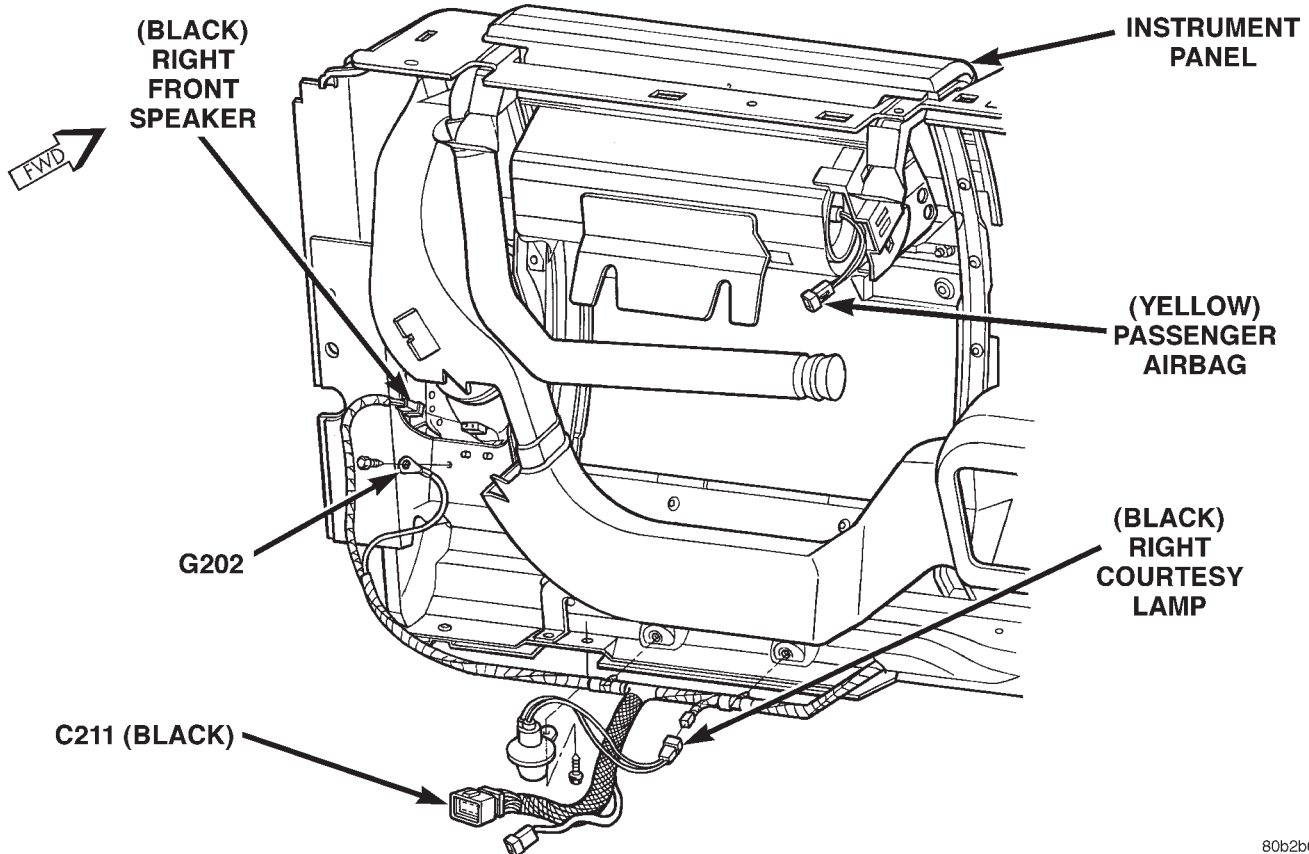
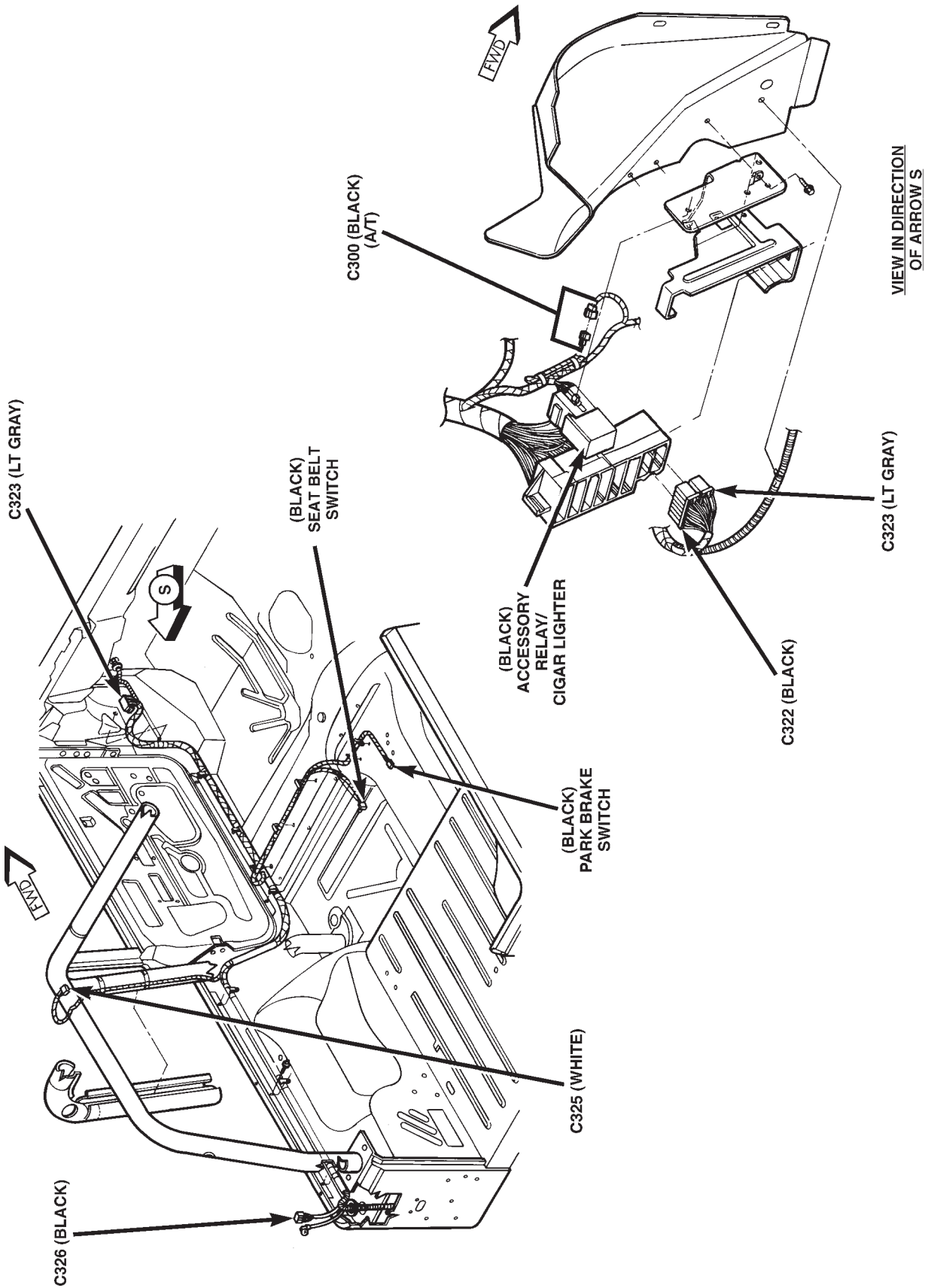


Fig. 17 Instrument Panel Connectors — Right Side, LHD

80b2b6c9

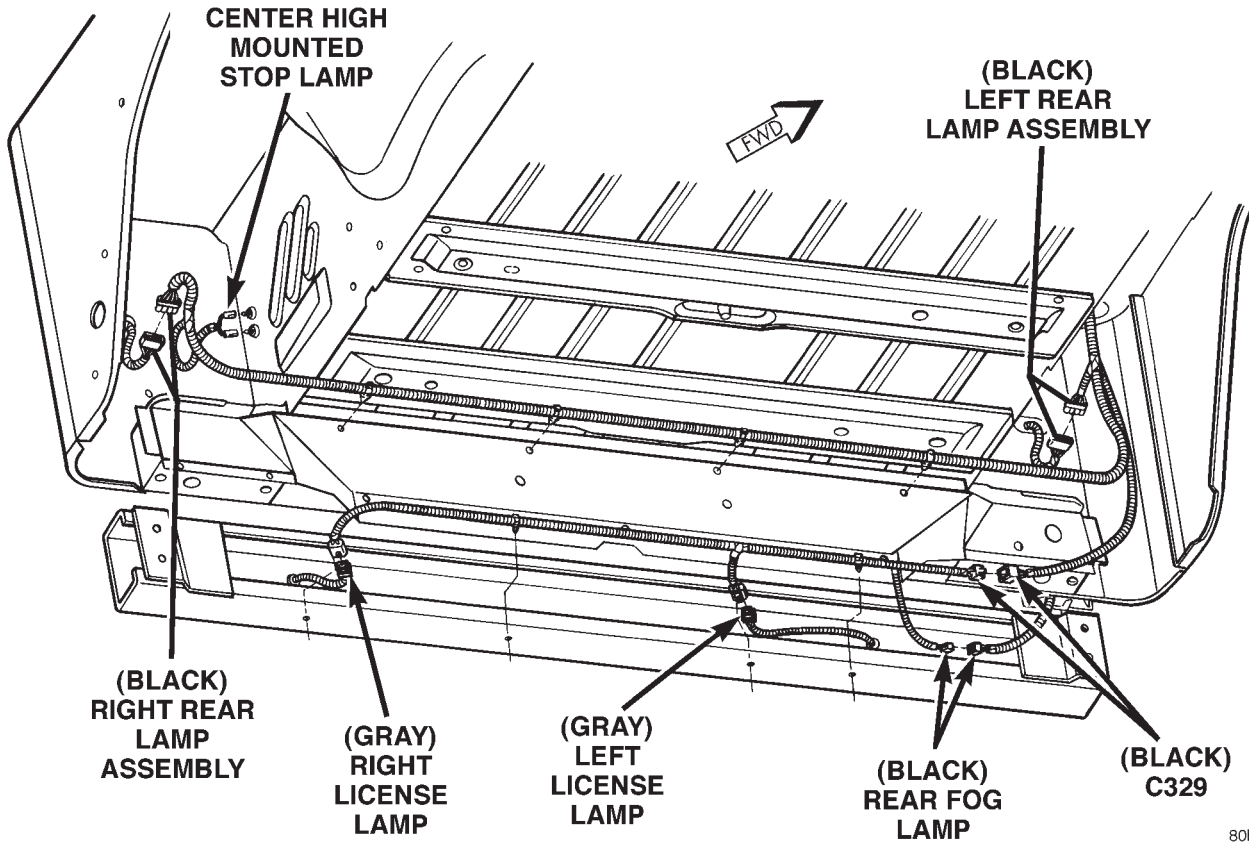
DESCRIPTION AND OPERATION (Continued)



80b31e6c

Fig. 18 Body Connectors — LHD

DESCRIPTION AND OPERATION (Continued)



80b2b6ca

Fig. 19 Rear Under Body Wiring Connectors — LHD

DESCRIPTION AND OPERATION (Continued)

CONNECTOR/GROUND LOCATIONS (RHD)

For items that are not shown in this section a N/S is placed in the Fig. column.

Connector Name/Number	Color	Location	Fig.
A/C Compressor Clutch	BK	Right Front of Engine	8
A/C Heater Control - C1	BK	Rear of Blower Motor Switch	12
A/C Heater Control - C2	GY	Rear of Lamp	12
A/C Heater Control - C3	BK	Rear of A/C Heater Control Switch	12
A/C High Pressure Switch	BK	On A/C Compressor	8
A/C Low Pressure Switch		Left Rear Engine Compartment	N/S
Cigar Lighter/Accessory Relay	BK	Bottom of Instrument Panel Near Steering Column	15
Airbag Control Module	YL	Front of Floor Pan Tunnel	11
Backup Lamp Switch	BK	Right Side of Transmission	10
Battery Temperature Sensor	BK	Under Battery Tray	2
Blower Motor Resistor Block - C1	BK	On HVAC Module	N/S
Blower Motor Resistor Block - C2	BK	On HVAC Module	N/S
Blower Motor Relay	BK	On HVAC Module	N/S
Brake Shift Interlock Solenoid	WT	Near Steering Column	13
Brake Warning Switch	BK	On Brake Master Cylinder	2
C101	GY	Left Fender Side Shield	2

Connector Name/Number	Color	Location	Fig.
C103	BK	On Dash Panel	N/S
C104	BK	Rear of Engine	N/S
C106	BK	Right Kick Panel	11
C107	YL	Right Kick Panel	11
C108	BL	Right Kick Panel	11
C110	BK	Left Fender Side Shield	3
C154	BK	Top Right Side of Transmission	7,10
C170	GY	Right Kick Panel	12
C202	GY	Right Kick Panel	11, 12
C203	GN	Right Kick Panel	11, 12
C204	RD	Right Kick Panel	11, 12
C211	BK	Left of Instrument Panel	12
C300	BK	Top of Clutch Pedal Bracket	15
C322	BK	Left Kick Panel	N/S
C323	RD	Left Kick Panel	11, 15
C325	WT	Left Side of Sound Bar	15
C326	BK	Left Rear Quarter Panel	15
C329	BK	Right Side of Rear Bumper	14
Camshaft Position Sensor	GY	Below Distributor	7
Center High Mounted Stop Lamp (CHMSL)		At Lamp	14
Cigar Lighter/Power Outlet	BK	Rear of Cigar Lighter	12

DESCRIPTION AND OPERATION (Continued)

Connector Name/Number	Color	Location	Fig.
Clockspring C1	BK	Rear of Clockspring	13
Clockspring C2	NAT	Rear of Clockspring	13
Clutch Pedal Position Switch	BK	Top of Clutch Pedal Bracket	11
Combination Flasher	BK	Bottom of Instrument Panel Near Steering Column	11
Crankshaft Position Sensor	BK	At Rear of Intake Manifold	9
Data Link Connector	BK	Bottom of Instrument Panel Near Steering Column	12
Dome Lamp		At Lamp	N/S
Downstream Heated Oxygen Sensor	BK	Rear of Catalytic Converter	10
Driver Airbag	YL	Rear of Airbag	13
Duty Cycle Evap/Purge solenoid	BK	Left Fender Side Shield	3
Engine Coolant Temperature Sensor	BK	On Thermostat Housing	5, 6
Engine Oil Pressure Switch	BK	Right Side of Engine Block	7
Engine Starter Motor		Right Side of Engine	8
Transfer Case Switch	BK	Left Side of Transfer Case	10
Fuel Pump Module	BK	Above Fuel Tank	1
Fuse Block		Left Side of Instrument Panel	11
G100		Right Center of Dash Panel	2
G102		Left Radiator Closure Panel	3
G103		Right Radiator Closure Panel	1
G104		Rear of Generator	8

Connector Name/Number	Color	Location	Fig.
G105		Right Rear of Engine Block	8
G106		Right Rear of Engine Block	8
G107		Right Rear of Engine Block	8
G200		Right Rear of Instrument Panel	11
G201		Right Rear of Instrument Panel	11
G202		Left Rear of Instrument Panel	12
G300		Right Kick Panel	11
G301		Right Kick Panel	11
G302		Left Kick Panel	11
Generator		Rear of Generator	8
Headlamp Dimmer Switch	BK	At Steering Column Part of Multifunction Switch	13
Headlamp Leveling Switch	BK	Right Side of Instrument Panel	12
Headlamp Switch	BK	Rear of Switch	12
High Note Horn	BK	Left Front Fender Side Shield	4
Horn Switch		Rear of Airbag	13
Idle Air Control Motor	BK	Side of Throttle Body	5, 6
Ignition Coil	GY	Right Side of Engine	8
Ignition Switch	GY	Rear of Ignition Switch	13
Immobilizer	BK	At Immobilizer	11
Injector #1	BK	At Injector	5, 6
Injector #2	BK	At Injector	5, 6
Injector #3	BK	At Injector	5, 6
Injector #4	BK	At Injector	5, 6
Injector #5	BK	At Injector	6

DESCRIPTION AND OPERATION (Continued)

Connector Name/Number	Color	Location	Fig.
Injector #6	BK	At Injector	6
Instrument Cluster - C1	GY	Rear of Cluster	12
Instrument Cluster - C2	BK	Rear of Cluster	12
Intake Air Temperature Sensor	GY	Rear of Intake Manifold	5, 6
Key-In Switch	GN	At Key-In Switch	13
Left City Lamp	BK	At Lamp	N/S
Left Courtesy Lamp	BK	Left Side of Instrument Panel	12
Left Door Ajar Switch	NAT	Left "A" Pillar	11
Left Front Speaker	BK	At Speaker	12
Left Headlamp	BK	Rear of Lamp	3
Left Headlamp Leveling Motor	BK	At Lamp	1
Left License Lamp	GY	At Lamp	14
Left Park Lamp	BK	At Lamp	N/S
Left Park/Turn Signal Lamp	BK	At Lamp	N/S
Left Rear Lamp Assembly	BK	At Lamp	14
Left Repeater Lamp	GY	At Lamp	N/S
Left Rear Speaker	BK	At Sound Bar	N/S
Manifold Absolute Pressure Sensor	BK	Side of Throttle Body	5, 6
Park Brake Switch	BK	Center Console at Switch	15
Park/Neutral Position Switch	BK	Left of Transmission	7
Passenger Airbag	YL	Rear of Airbag	12
Power Distribution Center		Left Fender Side Shield	2
Power Steering Pressure Switch	BK	Near Power Steering Pump	5

Connector Name/Number	Color	Location	Fig.
Powertrain Control Module - C1	GY	Left Rear of Engine Compartment	2
Powertrain Control Module - C2	BK	Left Rear of Engine Compartment	2
Powertrain Control Module - C3	WT	Left Rear of Engine Compartment	2
PRNDL Lamp	BK	Rear of Lamp	11
Radio - C1	GY	Rear of Radio	12
Radio - C2	BK	Rear of Radio	12
Rear Fog Lamp	BK	At Lamp	14
Rear Fog Lamp Switch	WT	At Switch	N/S
Rear Fog Lamp Relay	LT GN	Bottom Left of Instrument Panel	11
Rear Washer Pump Motor	BK	Under Washer Fluid Reservoir	3
Rear Window Defogger		At Rear Window Defogger	N/S
Rear Window Defogger Switch	GY	Behind Rear Window Defogger Switch	12
Rear Wiper/Washer Switch	WT	Behind Rear Wiper/Washer Switch	12
Rear Wiper Motor	BK	At Rear Wiper Motor	N/S
Right City Lamp	BK	At Lamp	N/S
Right Courtesy Lamp	BK	Right Side of Instrument Panel	12
Right Door Ajar Switch	NAT	Right "A" Pillar	11
Right Repeater Lamp	GY	At Lamp	N/S
Right Front Speaker	BK	At Speaker	12
Right Headlamp	BK	Rear of Lamp	1
Right Headlamp Leveling Motor	BK	Near Lamp at Motor	1
Right License Lamp	GY	At Lamp	14

DESCRIPTION AND OPERATION (Continued)

Connector Name/Number	Color	Location	Fig.
Right Park Lamp	WT	At Lamp	3
Right Park/Turn Signal Lamp	BK	At Lamp	N/S
Right Rear Lamp Assembly	BK	At Lamp	14
Right Rear Speaker	BK	At Sound Bar	N/S
Sound Bar Dome Lamp	BK	At Sound Bar	N/S
Stop Lamp Switch	GY	Top of Brake Pedal Bracket	11
Torque Converter Clutch Solenoid	BK	Left Side of Transmission	N/S
Throttle Position Sensor	NAT	Side of Throttle Body	5, 6
Turn Signal/Hazard Switch	BK	At Steering Column Part of Multifunction Switch	13

Connector Name/Number	Color	Location	Fig.
Underhood Lamp	BK	Under Hood	2
Upstream Heated Oxygen Sensor	GY	On Front Exhaust Pipe	5, 6
Vehicle Speed Control Servo	BK	At Drivers Seat Belt Buckle	15
Vehicle Speed Sensor	BK	Left Rear of Transfer Case	10
Windshield Washer Pump Motor	BK	Under Washer Fluid Reservoir	3
Windshield Wiper Motor	BK	Center of Cowl Panel	4
Windshield Wiper Switch	NAT	At Steering Column Part of Multifunction Switch	13

DESCRIPTION AND OPERATION (Continued)

80b31e6d

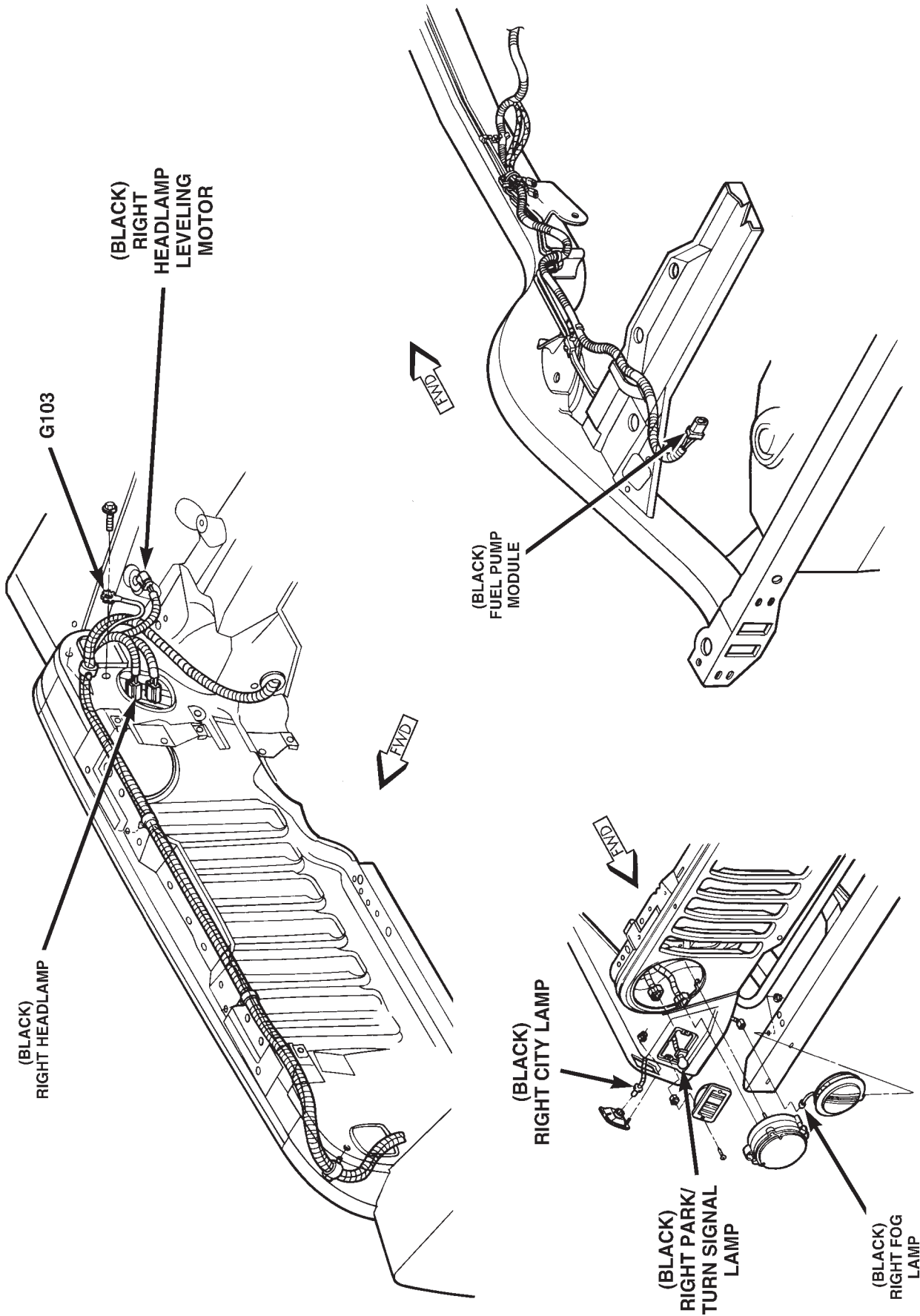
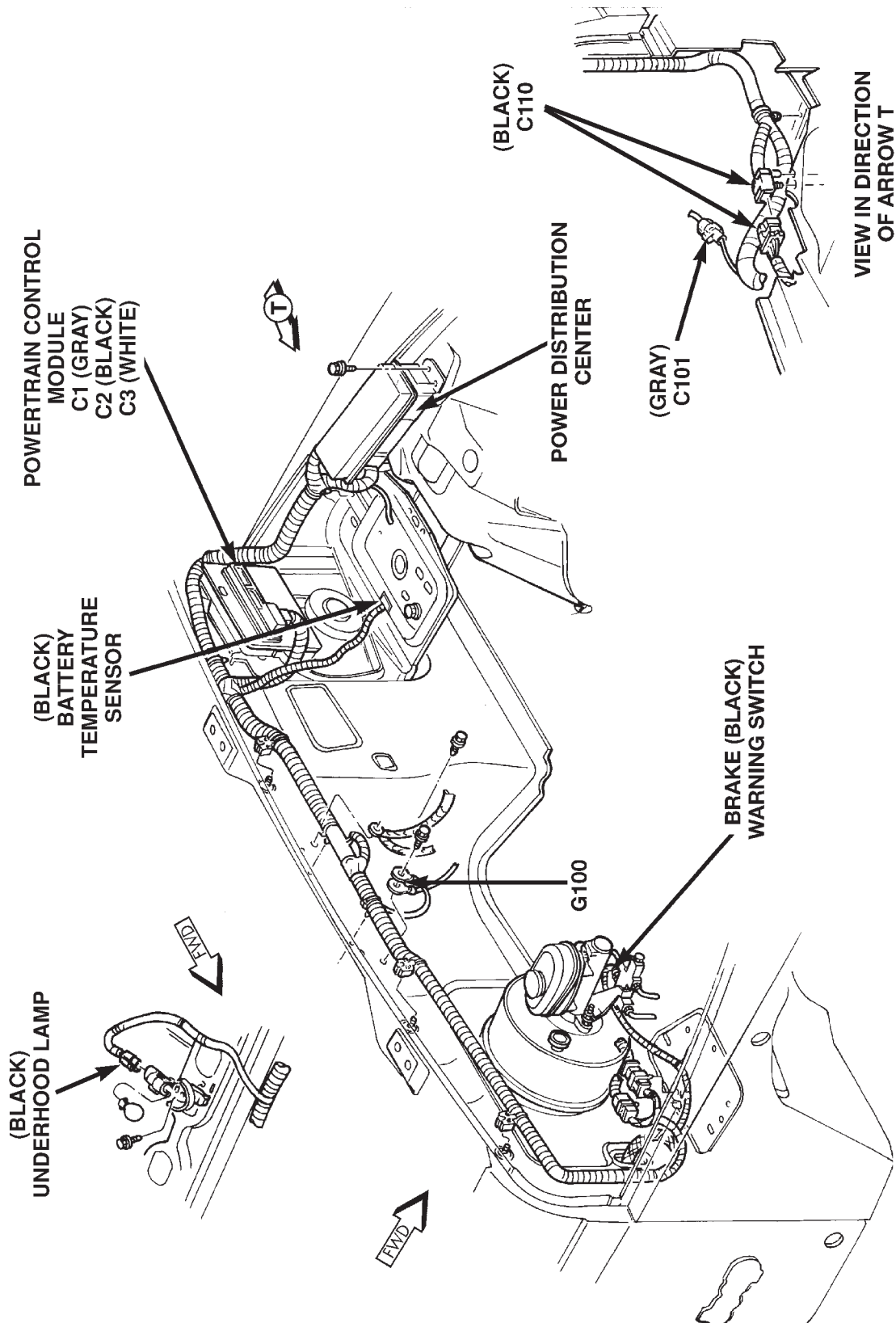


Fig. 1 Front End Wiring Connectors — RHD

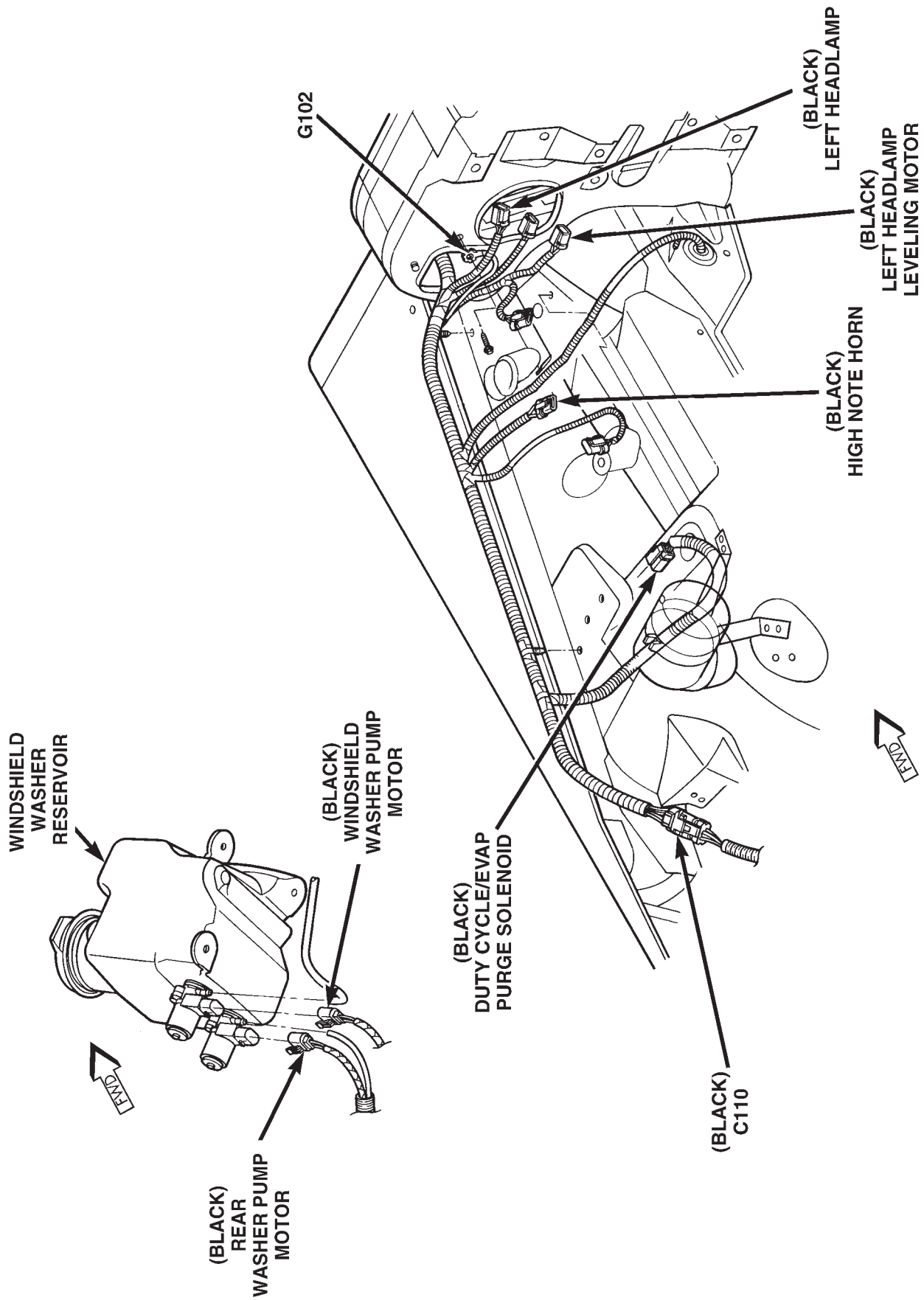
DESCRIPTION AND OPERATION (Continued)



80b31e6e

Fig. 2 Engine Compartment Connectors — Rear, RHD

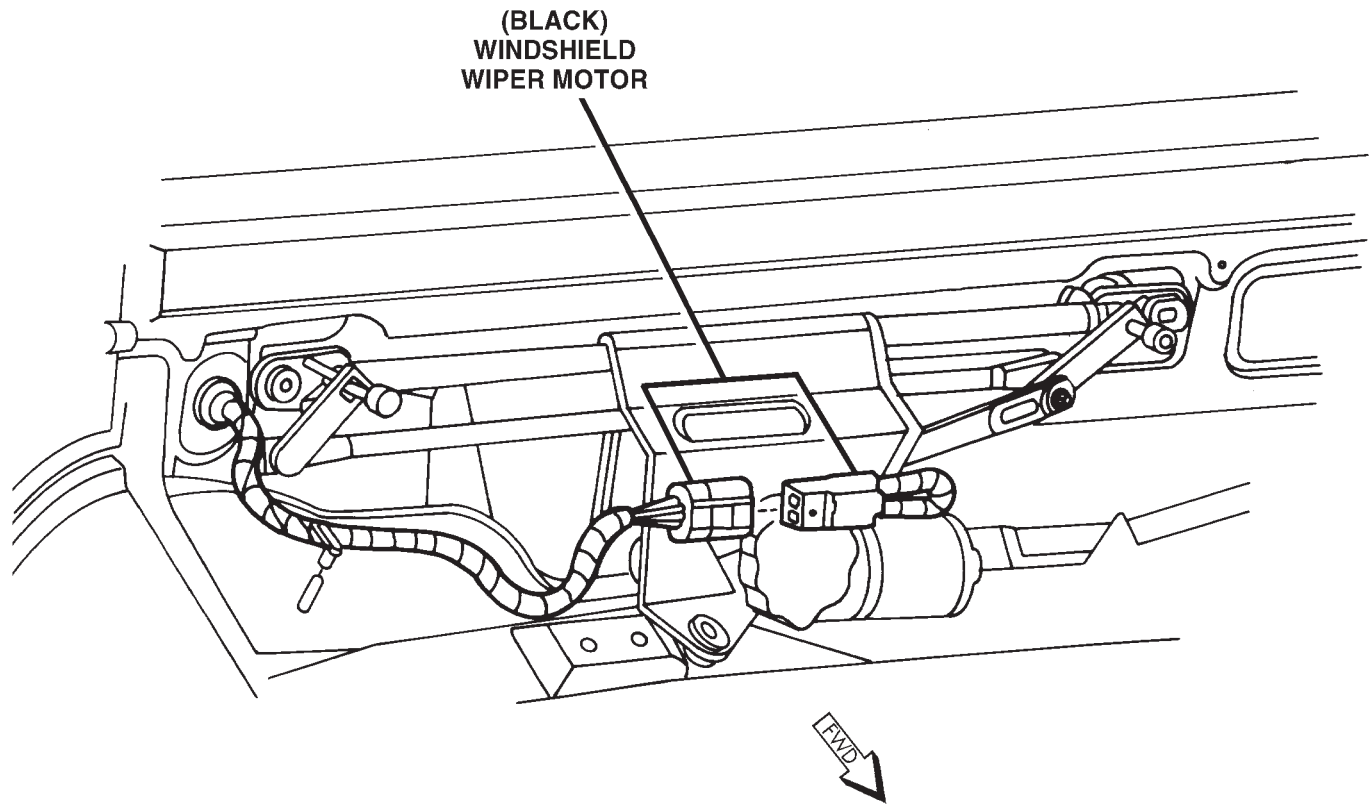
DESCRIPTION AND OPERATION (Continued)



80B3166F

Fig. 3 Engine Compartment Connectors — Front, RHD

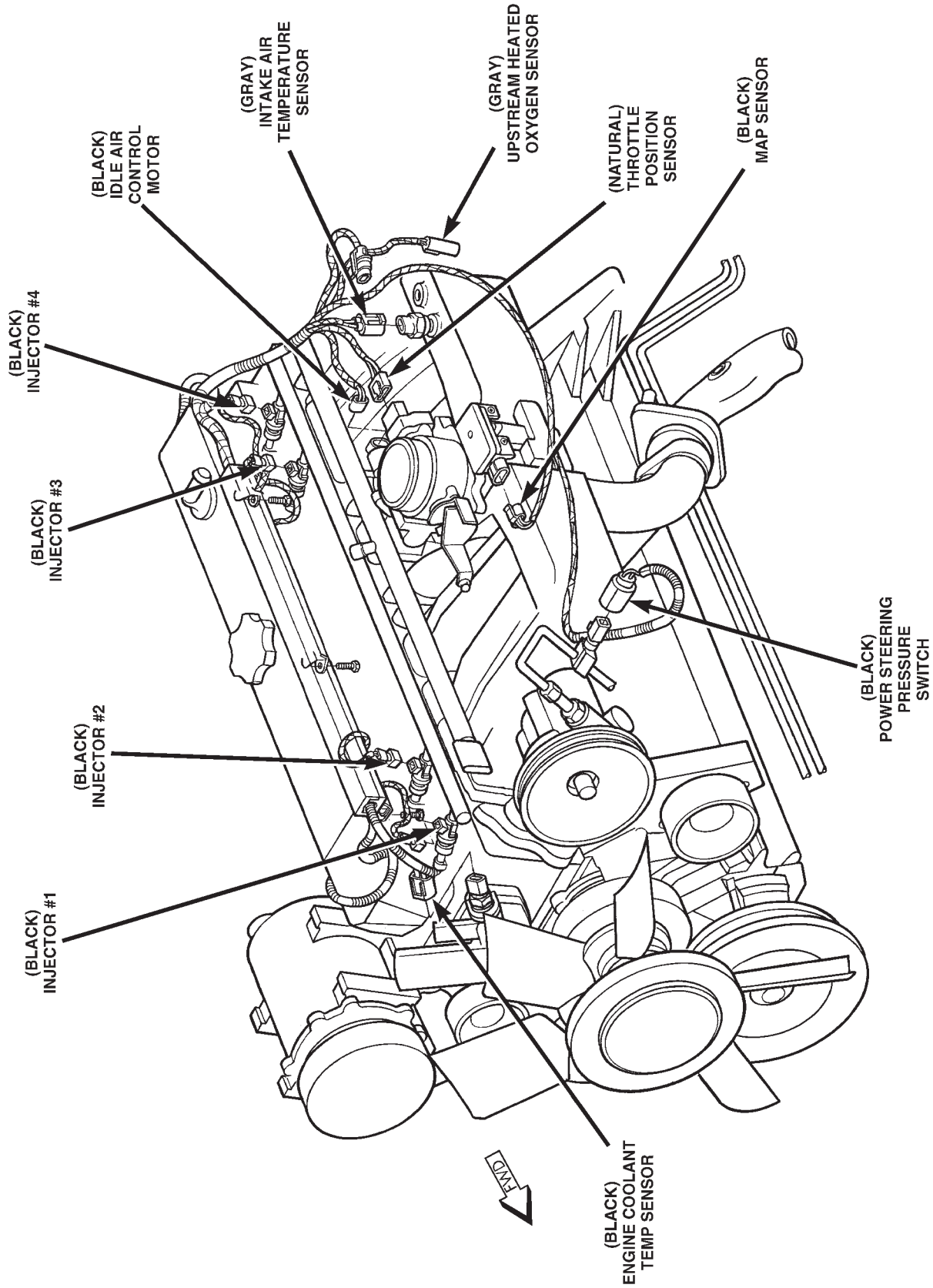
DESCRIPTION AND OPERATION (Continued)



80b2b6cc

Fig. 4 Windshield Wiper Motor — RHD

DESCRIPTION AND OPERATION (Continued)



80031e70

Fig. 5 Engine Harness Connectors — 2.5L Engine, RHD

DESCRIPTION AND OPERATION (Continued)

80b31e71

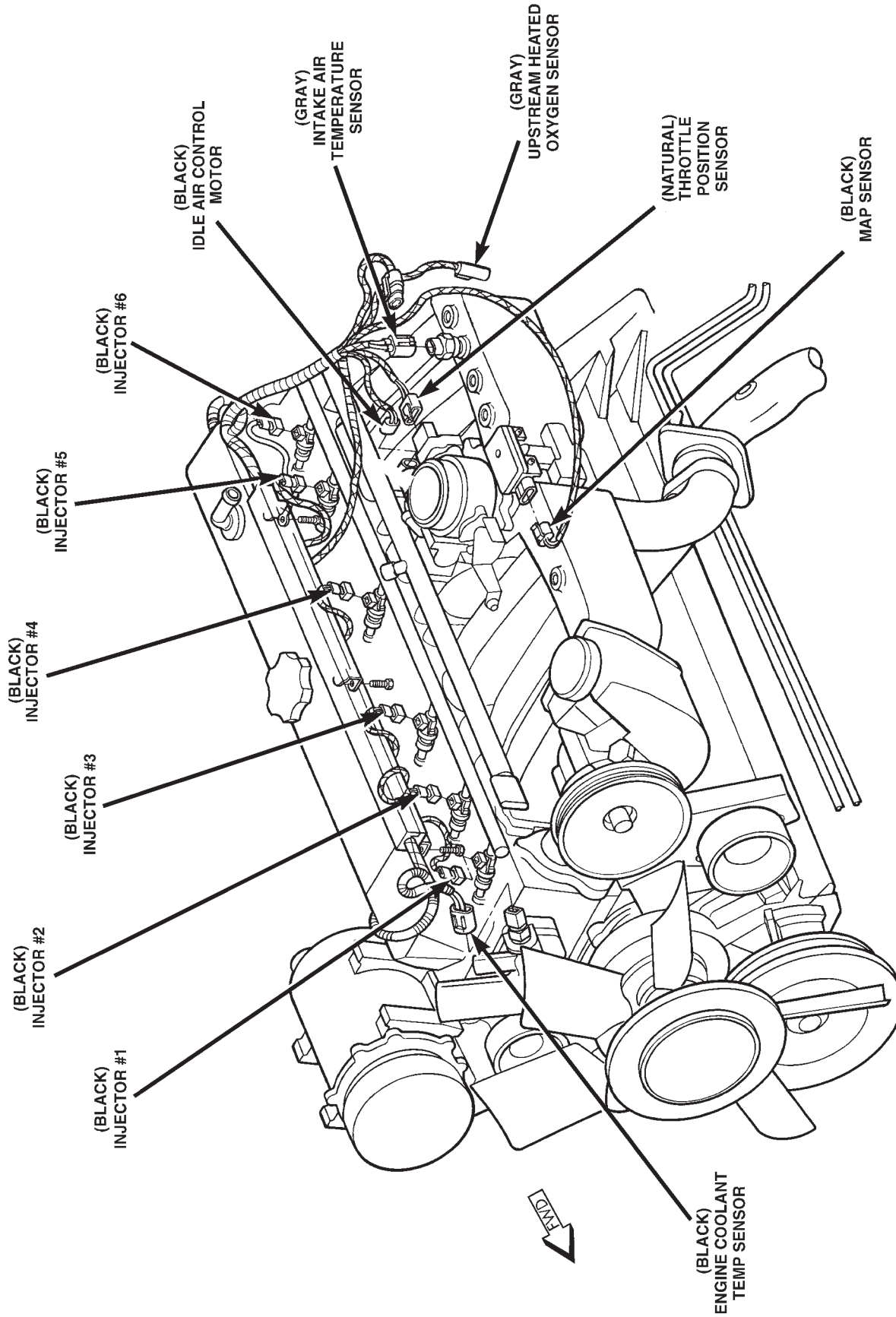


Fig. 6 Engine Harness Connectors — 4.0L Engine, RHD

DESCRIPTION AND OPERATION (Continued)

80b31e72

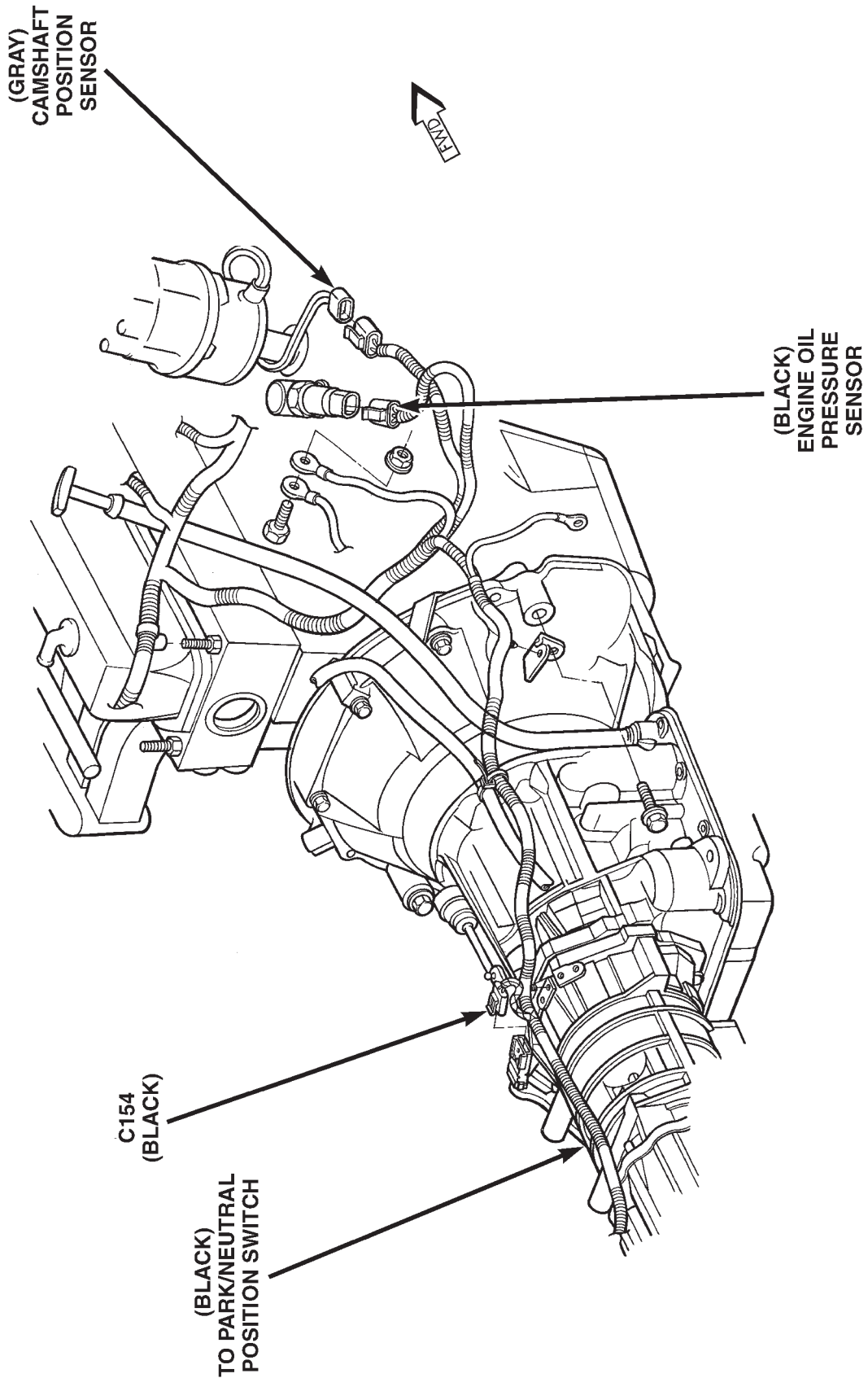
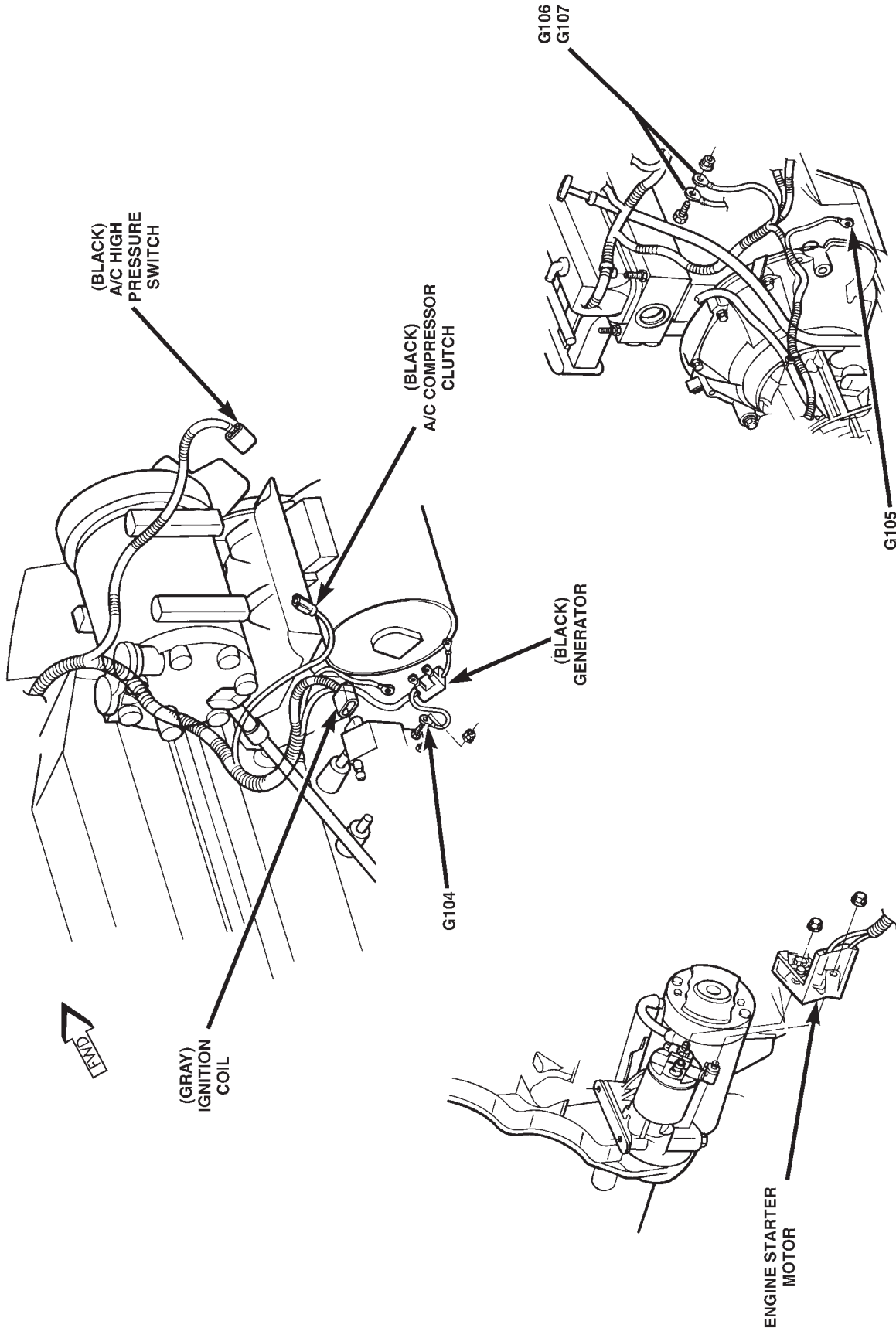


Fig. 7 Engine and Automatic Transmission Connectors — RHD

DESCRIPTION AND OPERATION (Continued)



80b31e73

Fig. 8 Engine Grounds — RHD

DESCRIPTION AND OPERATION (Continued)

80b31e74

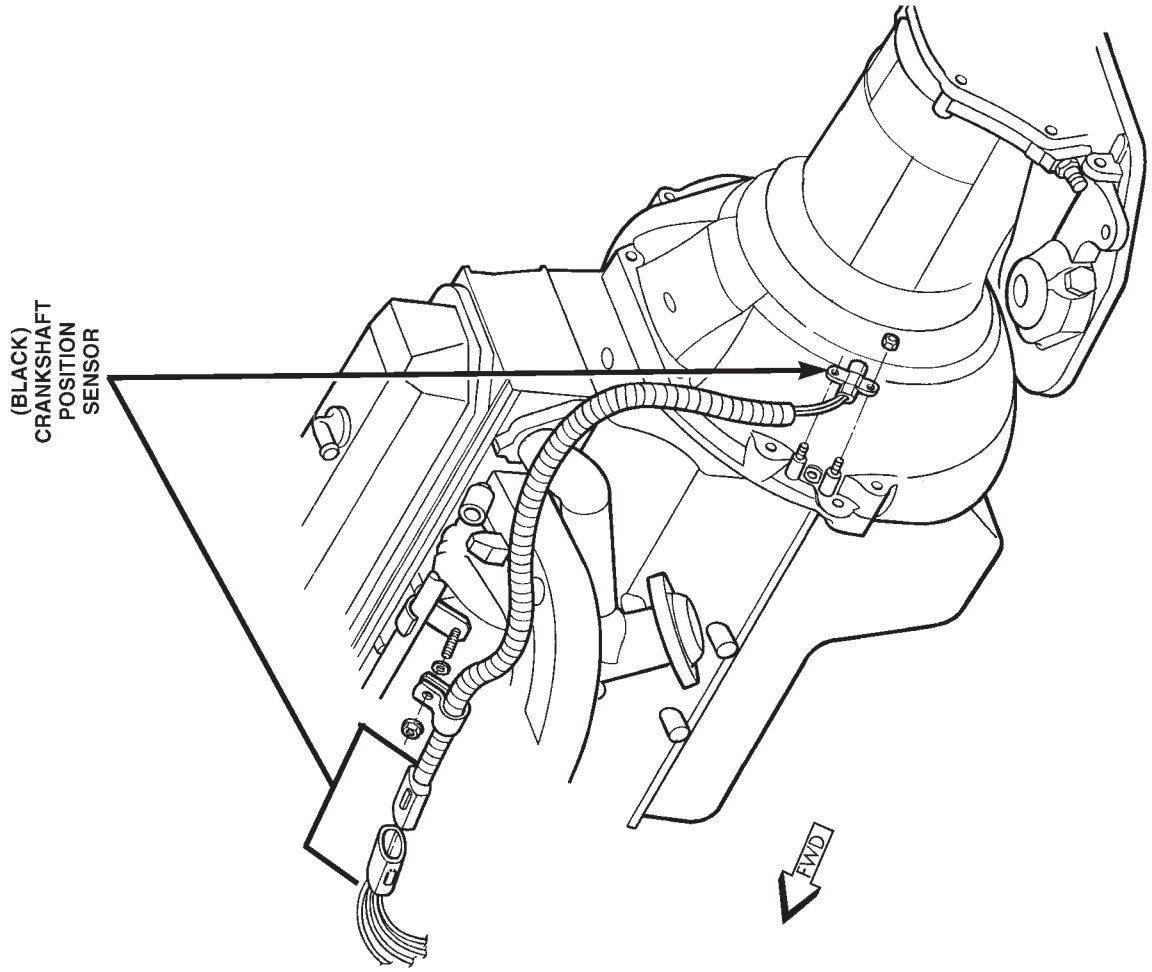


Fig. 9 Crankshaft Position Sensor — RHD

DESCRIPTION AND OPERATION (Continued)

80b31e75

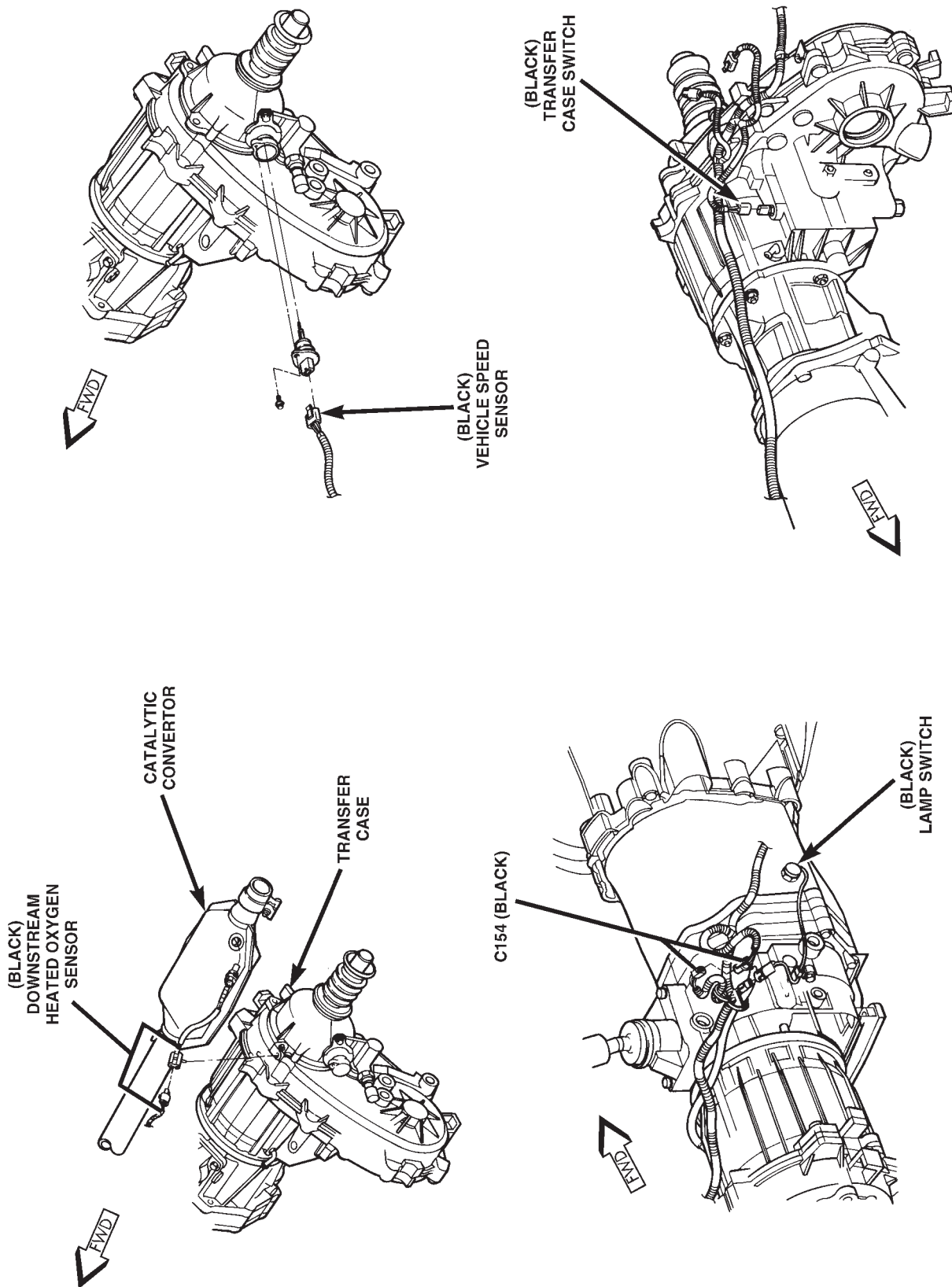
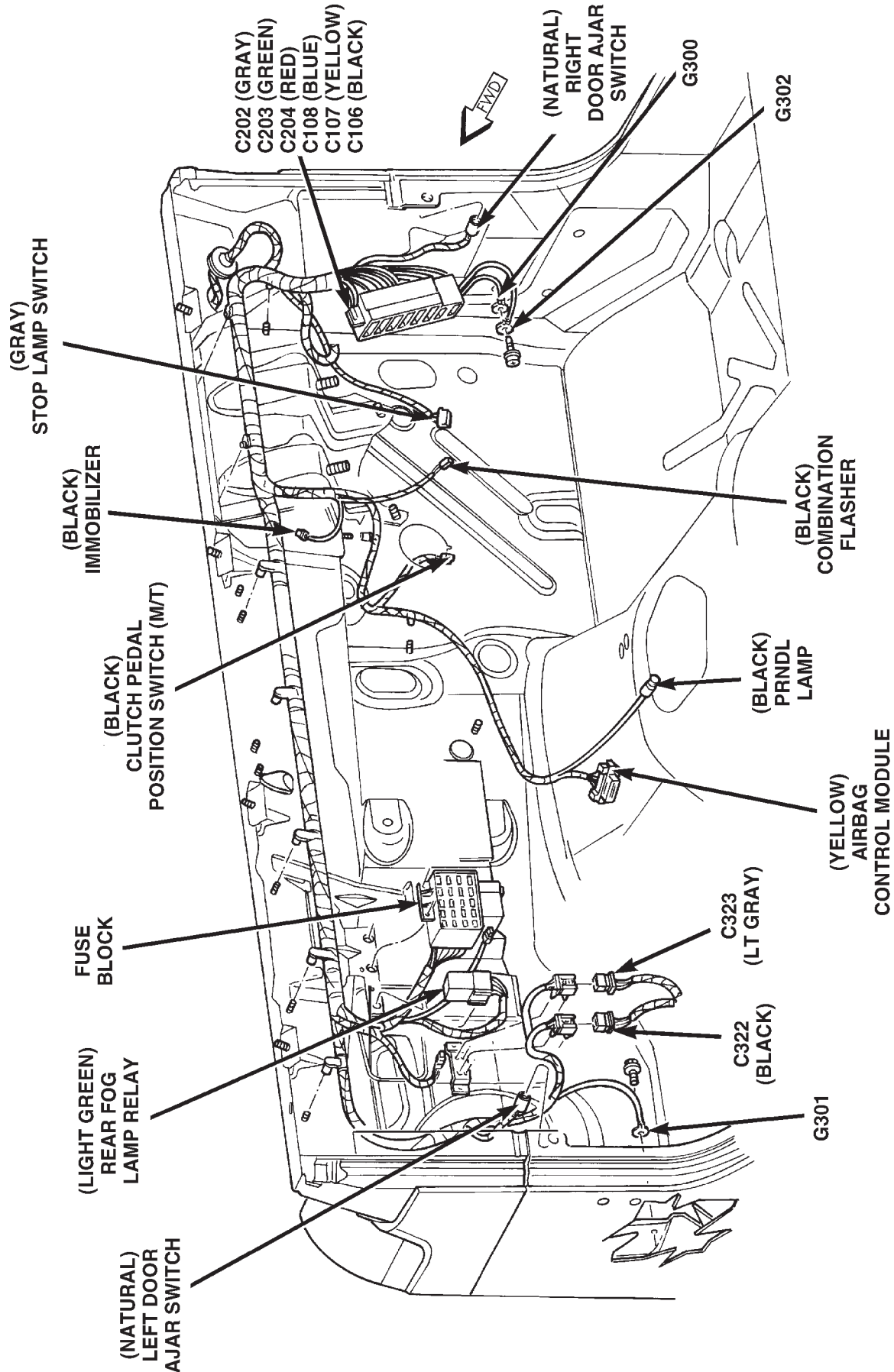


Fig. 10 Transmission and Transfer Case Connectors — RHD

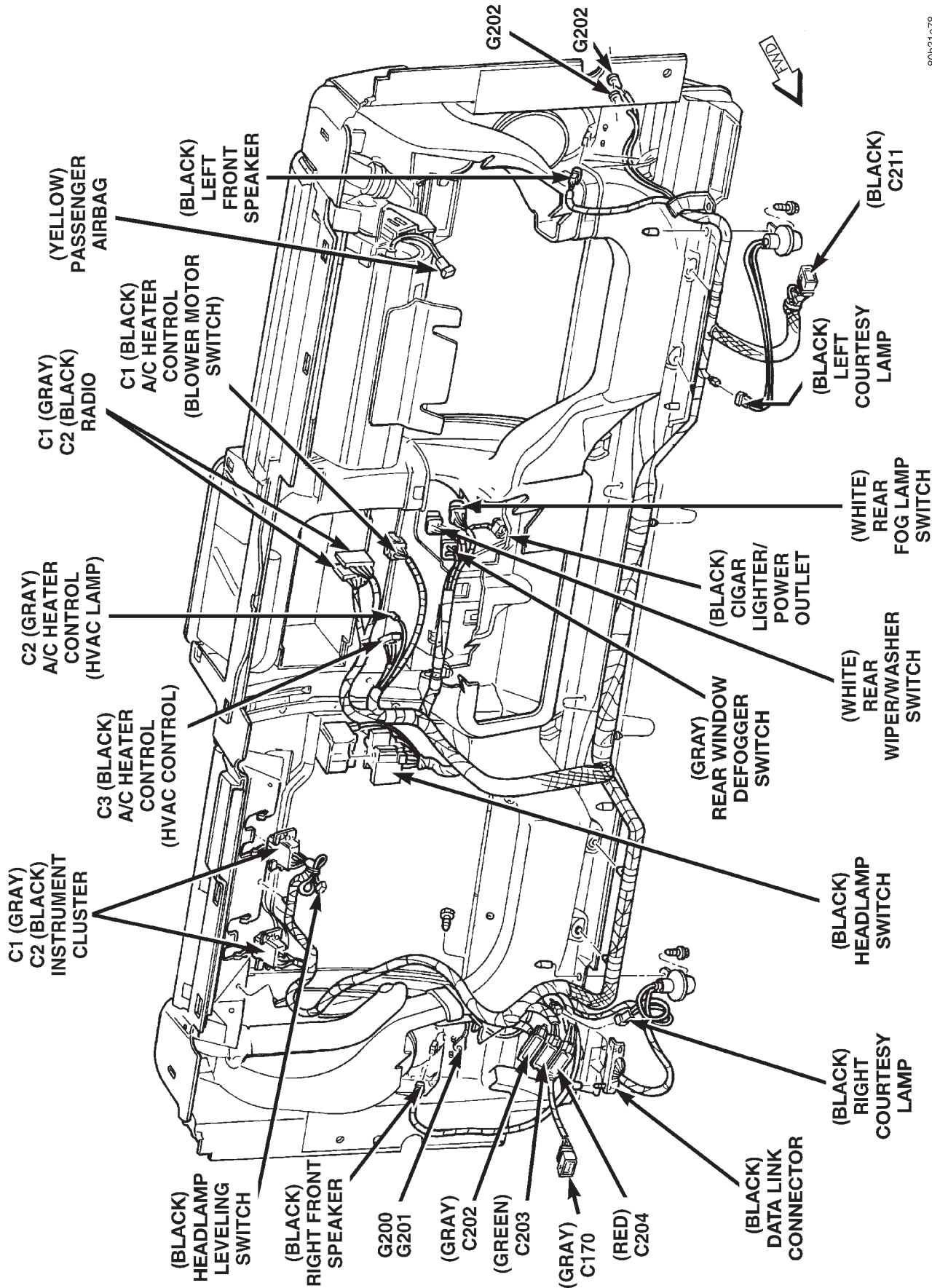
DESCRIPTION AND OPERATION (Continued)



80b31e76

Fig. 11 Dash Panel Connectors — RHD

DESCRIPTION AND OPERATION (Continued)



80031e78

Fig. 12 Instrument Panel Wiring Connectors — RHD

DESCRIPTION AND OPERATION (Continued)

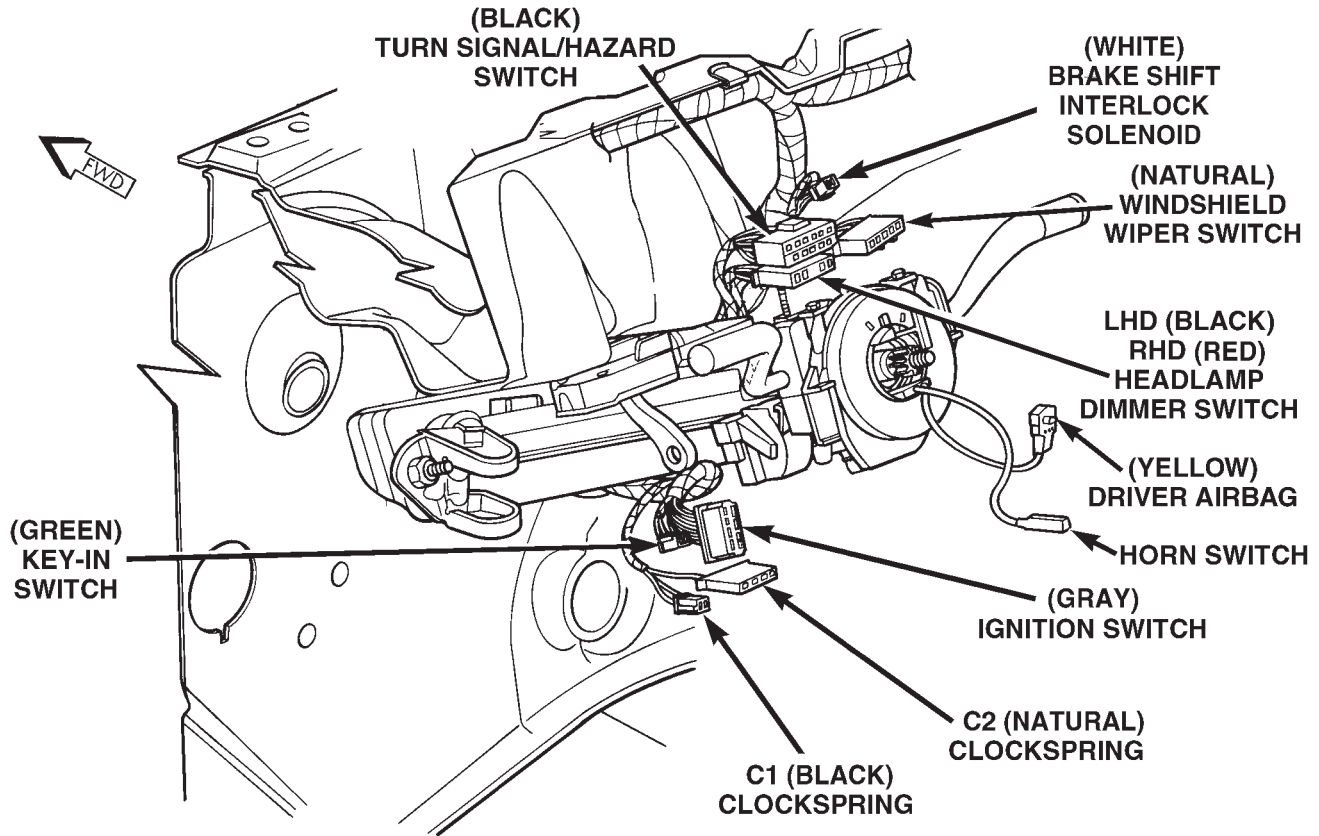


Fig. 13 Steering Column Connectors — RHD

80b2b6cd

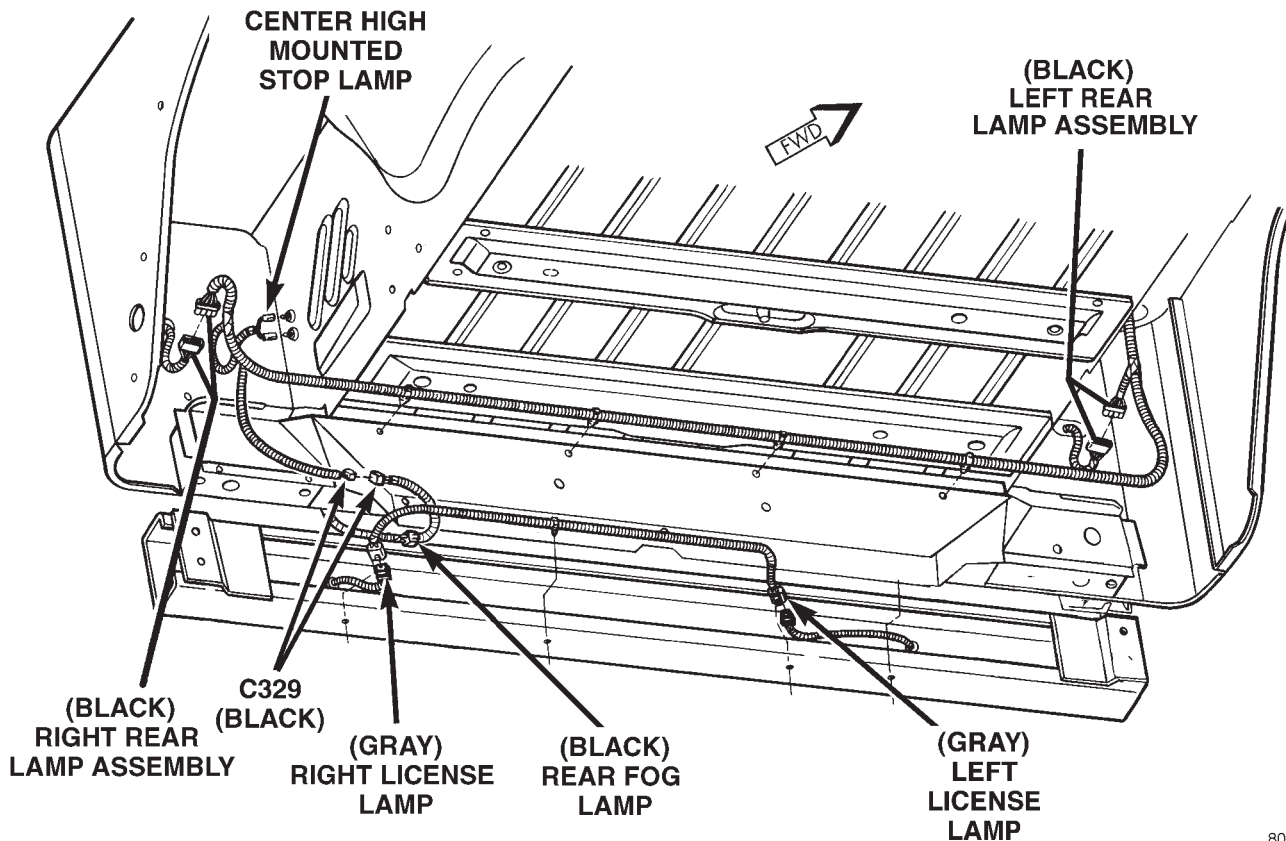


Fig. 14 Rear Under Body Wiring Connectors — RHD

80b2b6cf

DESCRIPTION AND OPERATION (Continued)

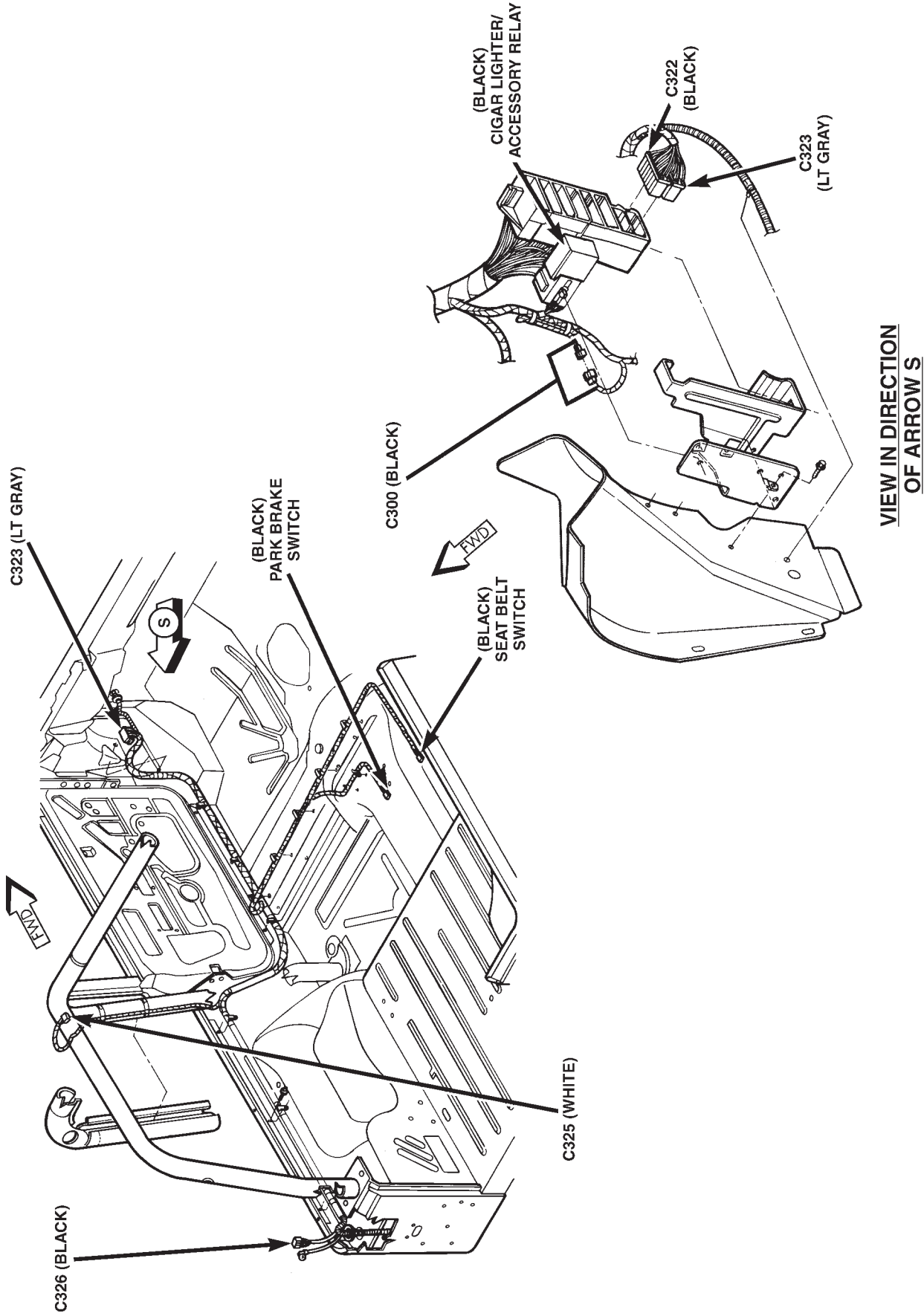


Fig. 15 Rear Body Wiring Connectors — RHD

8W-95 SPLICE LOCATIONS

DESCRIPTION AND OPERATION

INTRODUCTION

This section provides illustrations identifying the general location of the splices in this vehicle. A splice index is provided. Use the wiring diagrams in each

section for splice number identification. Refer to the index for proper splice number.

SPLICE LOCATIONS (LHD)

For splices that are not shown in the figures in this section, an N/S is placed in the Fig. column.

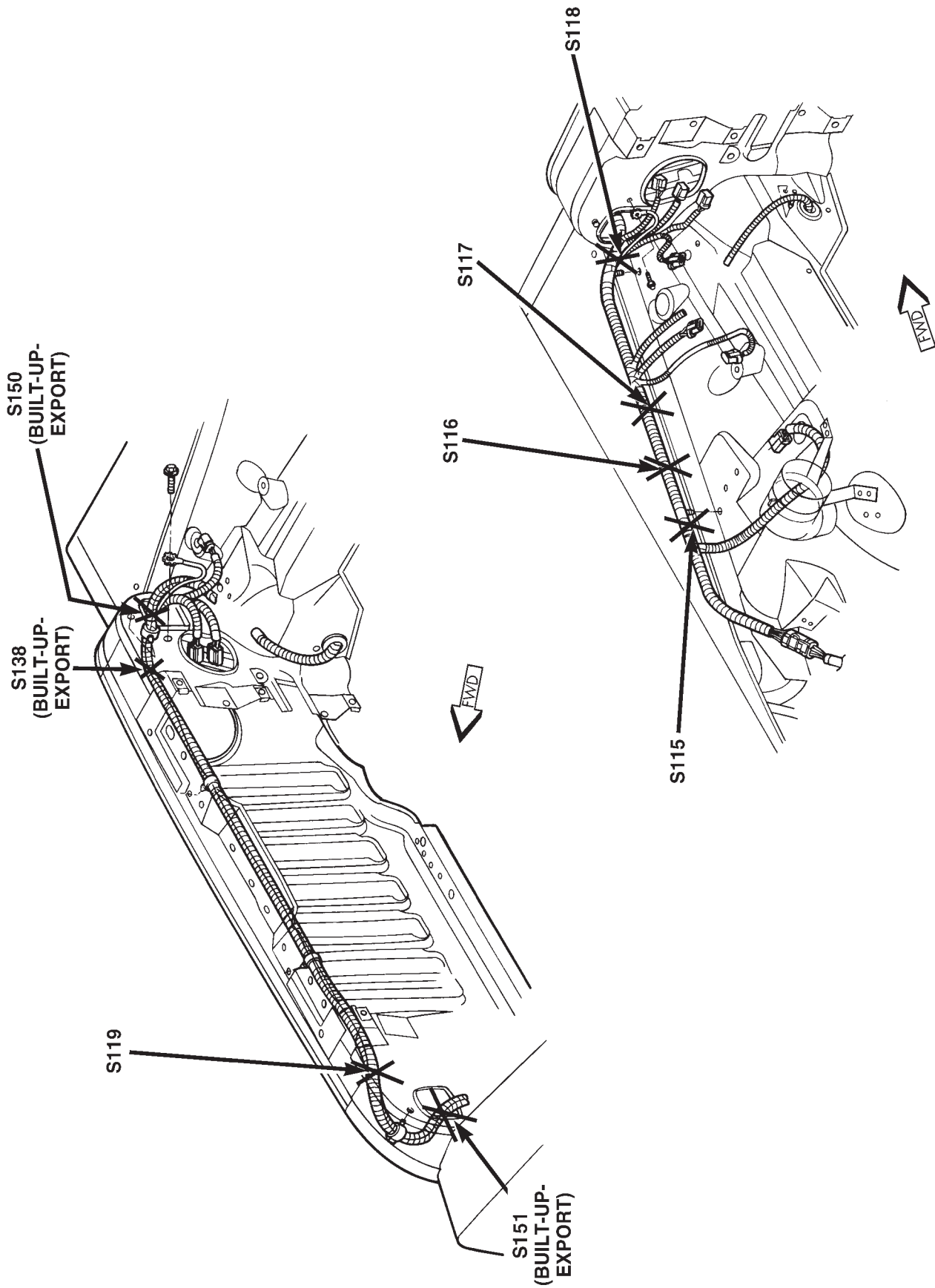
Splice Number	Location	Fig.
S101	Near T/O for PCM	2
S102	Near T/O for PCM	2
S103	Near T/O for G101	2
S104	Near Grommet on Left Side of Dash Panel	2
S105	Near Grommet on Left Side of Dash Panel	2
S106	Near T/O for Ground G100	2
S108	Near Power Distribution Center (PDC)	2
S109	Near Underhood Lamp T/O	2
S110	Near T/O for Ground G100	2
S112	Near Controller Antilock Brake	2
S114	Near ABS Pump Motor T/O	2
S115 (Except Built-Up-Export)	Near T/O for High Note Horn	1
S116 (Except Built-Up-Export)	Near T/O for Horn #1	1
S117	Near T/O for Windshield Washer Pump Motor	1
S118	Near Left Headlamp T/O	1
S119	Left Side Radiator Closure Panel	1
S122	Near T/O for Left Park/Turn Signal Lamp	N/S
S125	Near T/O for Right Park/Turn Signal Lamp	N/S
S126	Near T/Os for Injectors	4
S127	Near T/O for IAC Motor	3
S128	Between Injectors 2 and 3	3

Splice Number	Location	Fig.
S129	Near T/O for Injectors	4
S130	Near T/O for Injectors	4
S131	Near T/O for G105	4
S132	Near T/O for Camshaft Position Sensor	4
S133	Near T/O for G105	4
S134	Near T/O for Camshaft Position Sensor	4
S135	Upstream Heated Oxygen Sensor	4
S136	In Battery Harness Near PDC	N/S
S138 (Built-Up-Export)	Near T/O for Right Headlamp Leveling Motor	1
S141	Near T/O for Left Park/Turn Signal Lamp	N/S
S142	Near T/O for Right Park/Turn Signal Lamp	N/S
S143	Near T/O for Left Park/Turn Signal Lamp	N/S
S144	Near T/O for Right Park/Turn Signal Lamp	N/S
S146	Near T/O for G101	2
S147	Near T/O for PCM	2
S150 (Built-Up-Export)	Near T/O for Right Headlamp Leveling Motor	1
S151 (Built-Up-Export)	Near T/O for Left Headlamp Ground	1
S202	Center Rear of I.P.	6
S204	Center Rear of I.P.	6
S206	Center Rear of I.P.	6
S207	Near Cigar Lighter T/O	6

DESCRIPTION AND OPERATION (Continued)

Splice Number	Location	Fig.	Splice Number	Location	Fig.
S209	Near Blower Motor Relay	N/S	S314	Front of Left Rear Wheel Well	7
S301	Near Grommated T/O to Windshield Wiper Motor	5	S315	Near Right Tail Lamp Connector	7
S302	Near Grommated T/O for Windshield Wiper Motor	5	S316	In T/O for Rear Fog Lamp	7
S303	Near Grommated T/O for Windshield Wiper Motor	5	S317	In T/O for Left License Lamp	7
S304	Near Grommated T/O for Windshield Wiper Motor	5	S320	Near T/O for 100 way Connector	5
S305	In Combination Flasher T/O	5	S330	In T/O for Fuse Block	5
S306	Near T/O for Airbag Control Module	5	S331	Near T/O for Airbag Control Module	5
S307	Near T/O for Airbag Control Module	5	S332	Near T/O for Accessory Relay	5
S309	Front of Left Rear Wheel Well	7	S335	Near Left Tail Lamp Connector	7
S310	Left Rear Quarter Panel, Near Body Grommet	7	S400	Near Rear Wiper Motor Connector	N/S
S311	Near Left Tail Lamp Connector	7	S401	Near Rear Wiper Motor Connector	N/S
S313	Front of Left Rear Wheel Well	7			

DESCRIPTION AND OPERATION (Continued)



80b31e57

Fig. 1 Engine Compartment Splices—Front, LHD

DESCRIPTION AND OPERATION (Continued)

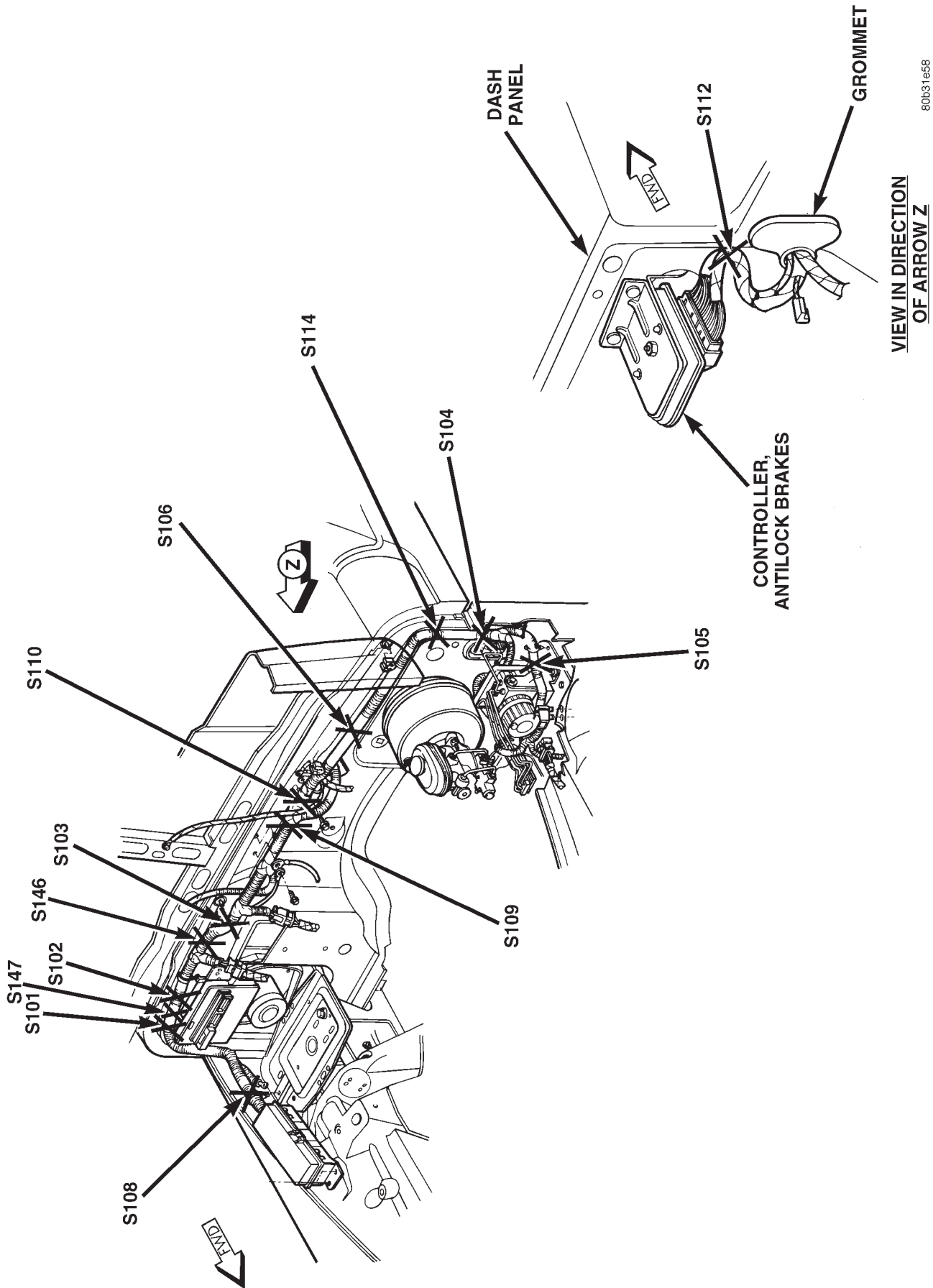


Fig. 2 Engine Compartment Splices—Rear, LHD

80b31e58

80b31e59

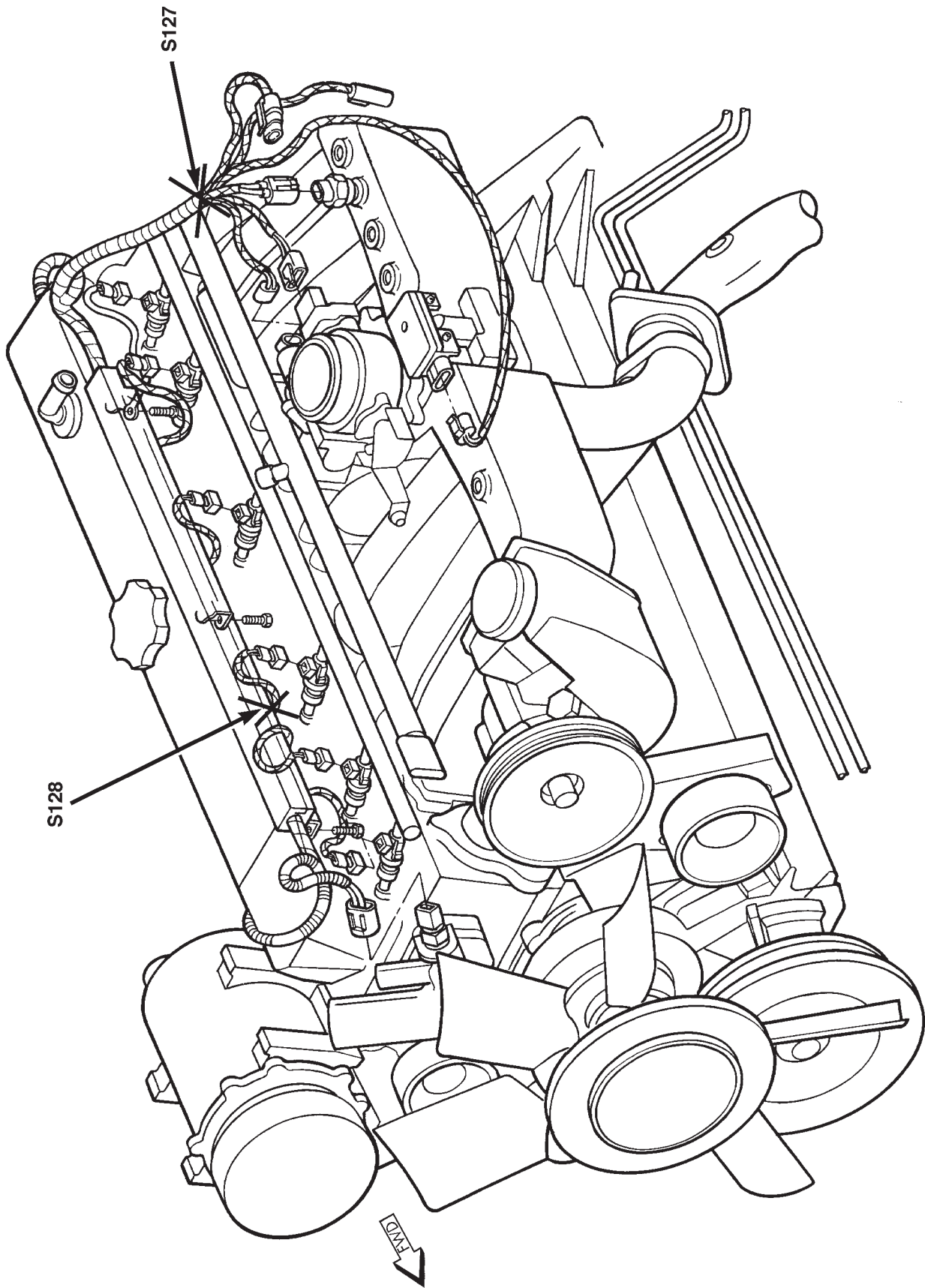


Fig. 3 Engine Wiring Splices — LHD

DESCRIPTION AND OPERATION (Continued)

80c31e5a

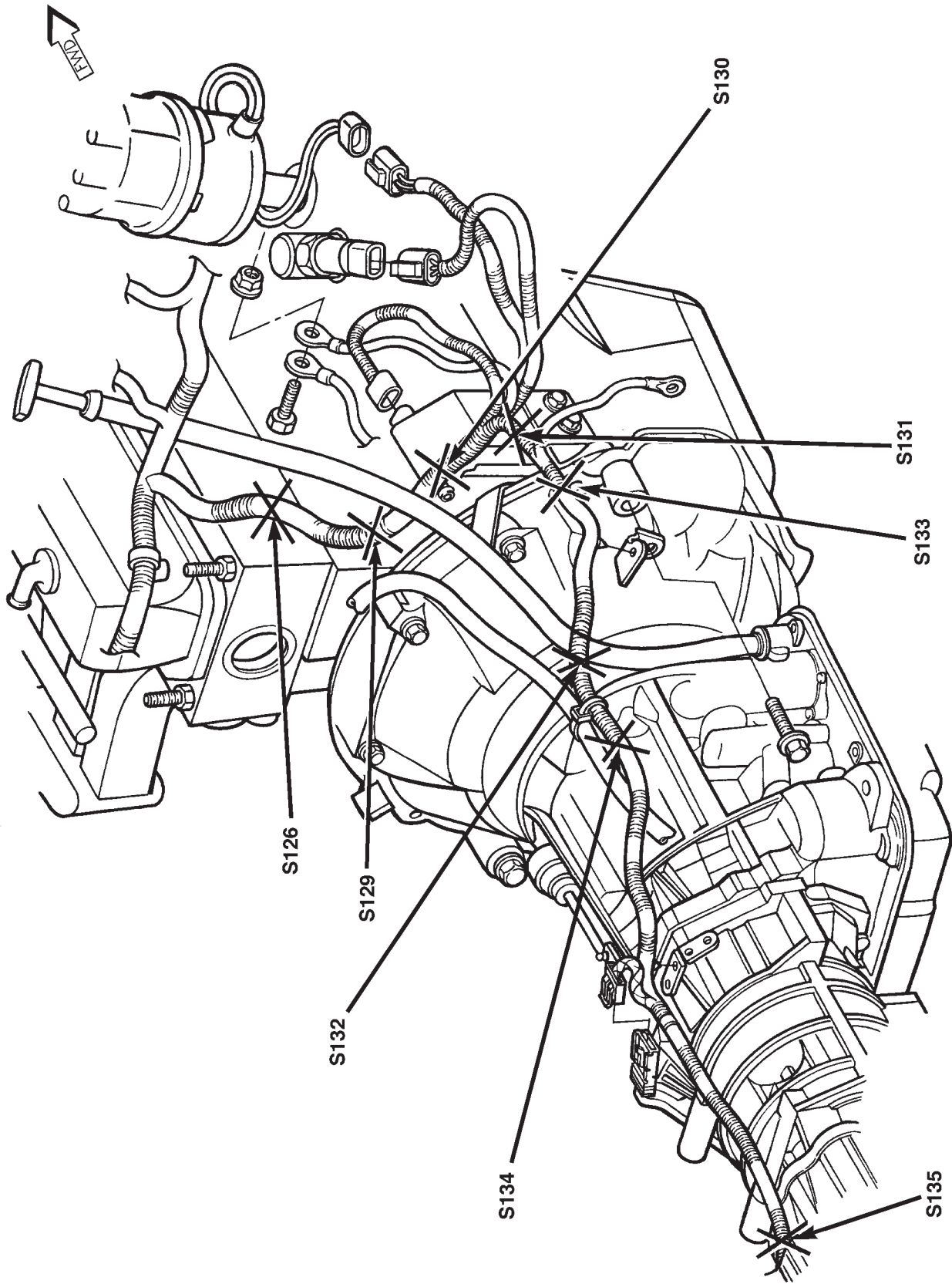
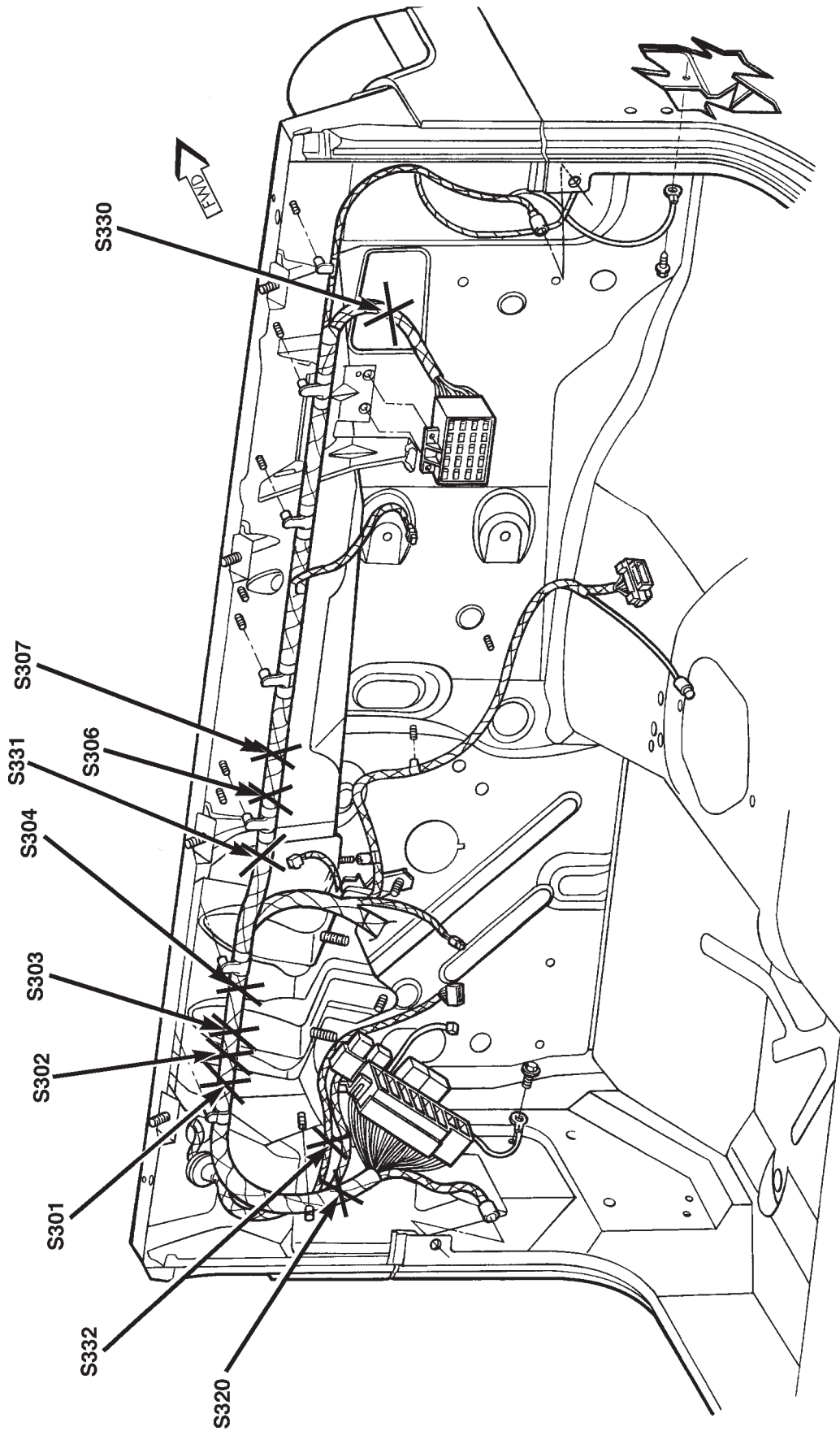


Fig. 4 Engine Wiring Splices — LHD

DESCRIPTION AND OPERATION (Continued)



8003165b

Fig. 5 Cowl Panel Wiring Splices — LHD

DESCRIPTION AND OPERATION (Continued)

80b31e5c

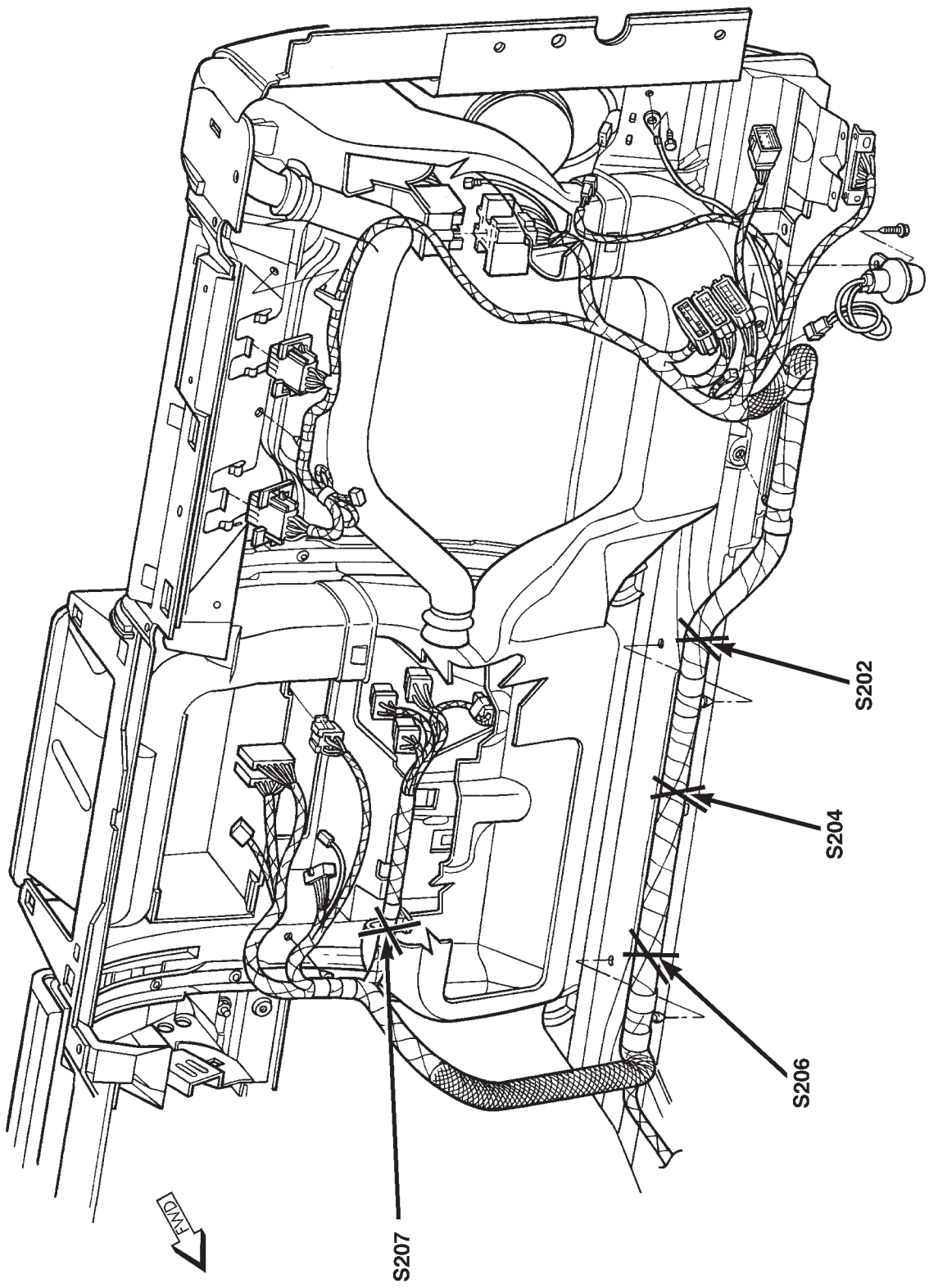


Fig. 6 Instrument Panel Wiring Splices — LHD

DESCRIPTION AND OPERATION (Continued)

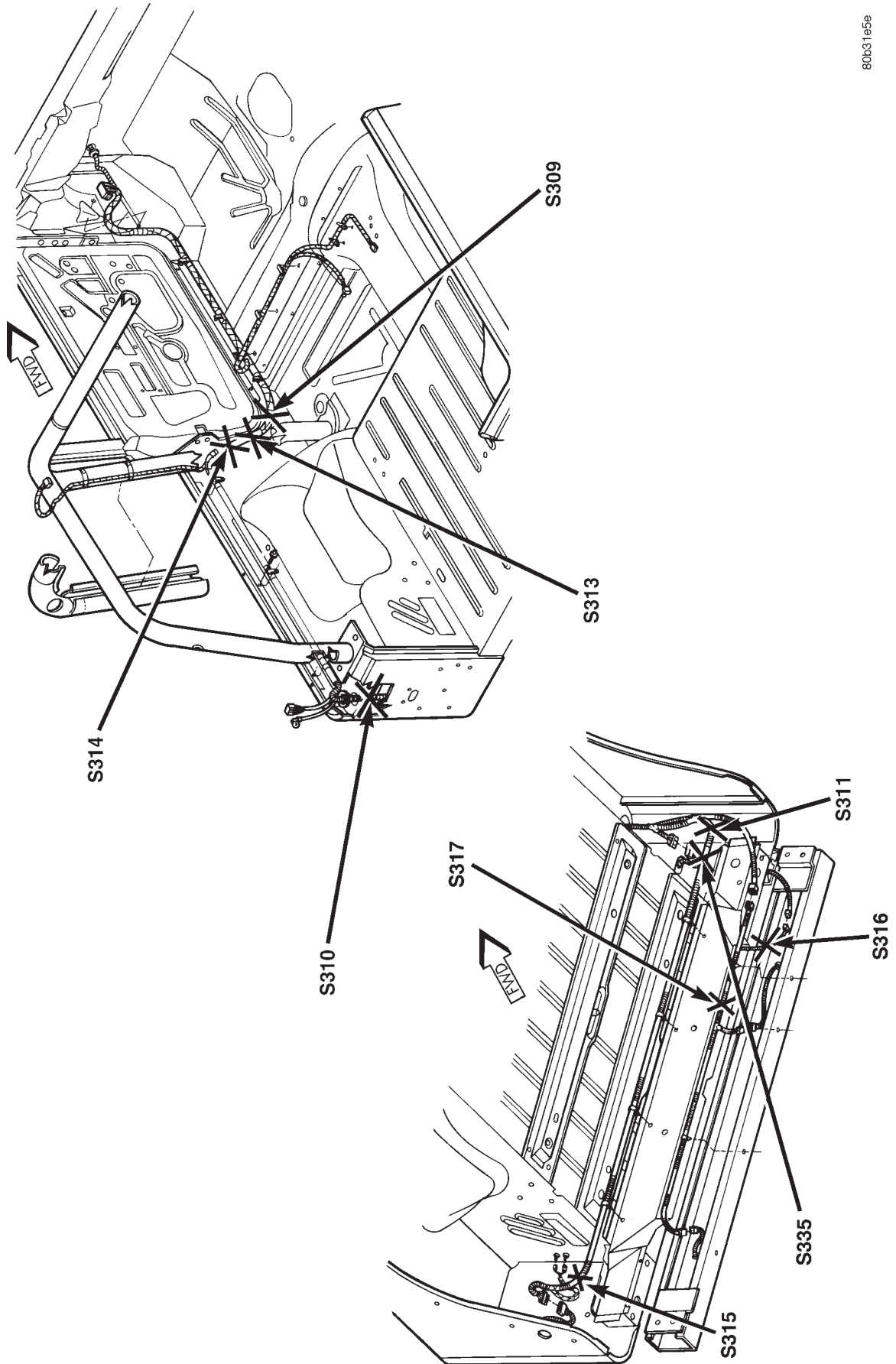


Fig. 7 Body Wiring Splices — LHD

DESCRIPTION AND OPERATION (Continued)

SPLICE LOCATIONS (RHD)

For splices that are not shown in the figures in this section, an N/S is placed in the Fig. column.

Splice Number	Location	Fig.
S101	Near T/O for Battery Temperature Sensor	2
S102	Near T/O for PDC	2
S103	Near T/O for Battery Temperature Sensor	2
S105	Near T/O for Battery Temperature Sensor	2
S117	Near T/O for Windshield Washer Pump Motor	1
S118	Near Left Headlamp T/O	1
S119	Left Side Radiator Closure Panel	1
S122	Near T/O for Left Park/Turn Signal Lamp	N/S
S124	Near T/O for Right Park/Turn Signal Lamp	N/S
S125	Near T/O for Right Park/Turn Signal Lamp	N/S
S126	Near T/O for Fuel Injectors	4
S127	Near T/O for IAC Motor (4.0L) Between T/O's for Injectors 2 and 3 (2.5L)	3
S128	Near T/O for Fuel Injector #1(2.5L) Between T/O's for Injectors 2 and 3(4.0L)	3
S129	Near T/O for Fuel Injector	4
S130	Near T/O for PCM	3
S131	Near T/O for PCM	3
S132	Near T/O for Camshaft Position Sensor	4
S133	Near T/O for G105	4
S134	Near T/O for Downstream Heated Oxygen Sensor	4
S135	Near T/O for Downstream Heated Oxygen Sensor	4
S136	In Battery Harness Near PDC	N/S
S138	Near T/O for Right Headlamp Leveling Motor	1

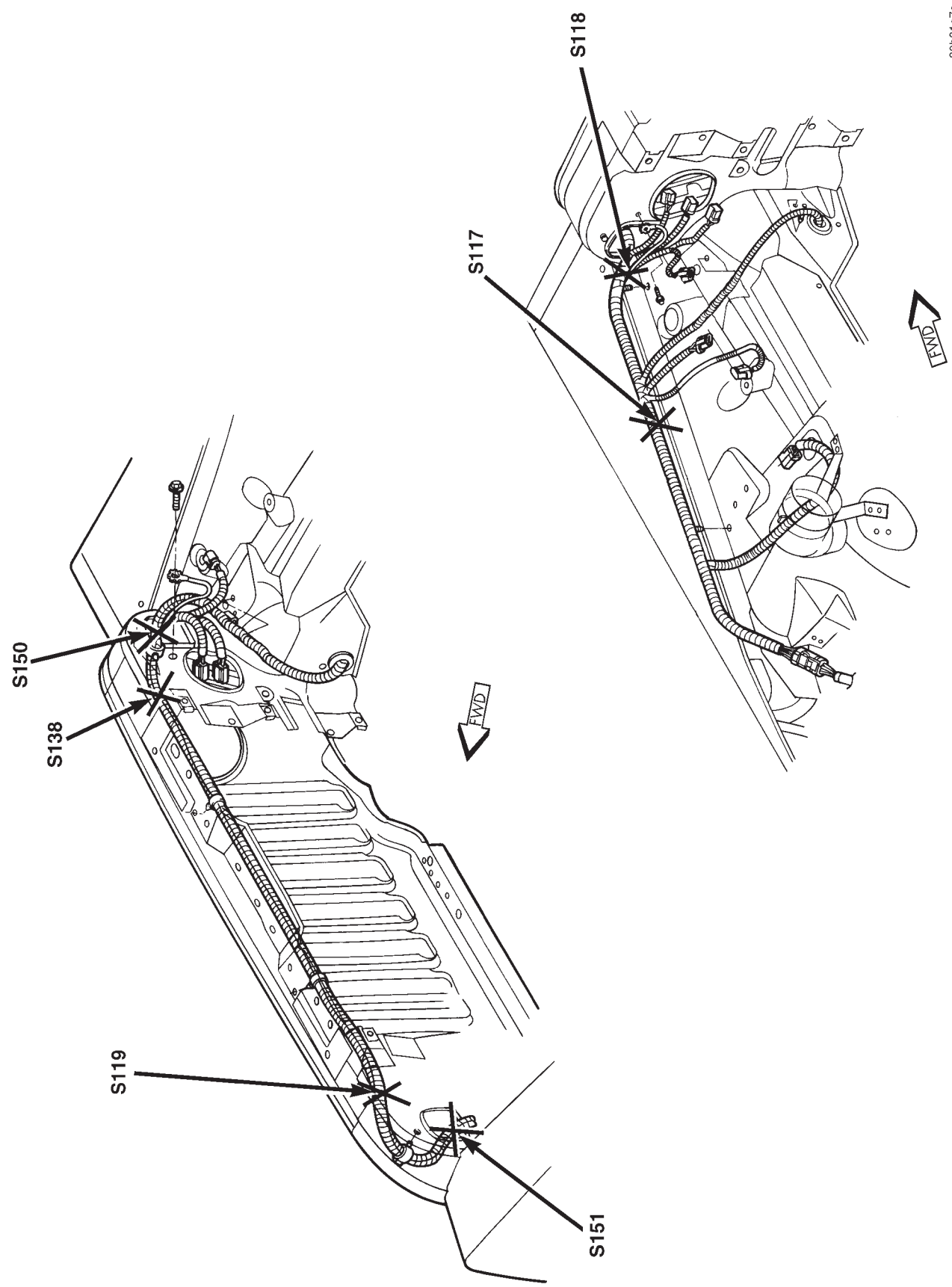
Splice Number	Location	Fig.
S141	Near T/O for Left Park/Turn Signal Lamp	N/S
S142	Near T/O for Right Park/Turn Signal Lamp	N/S
S147	Near T/O for Brake Warning Switch	2
S150	Near T/O for Right Headlamp Leveling Motor	1
S151	Near T/O for Left Headlamp Ground	1
S202	Center Rear of I.P.	6
S204	Center Rear of I.P.	6
S206	Center Rear of I.P.	6
S207	Near Cigar Lighter T/O	6
S301	Near T/O for Airbag Control Module	5
S302	Near Grommated T/O for Windshield Wiper Motor	5
S303	Near Grommated T/O for Windshield Wiper Motor	5
S304	Between Grommated T/O to Windshield Wiper Motor and Left Door Ajar Switch	5
S306	Near T/O for Airbag Control Module	5
S307	Near T/O for Airbag Control Module	5
S309	Front of Left Rear Wheel Well	7
S310	Left Rear Quarter Panel, Near Body Grommet	7
S311	Near Left Tail Lamp Connector	7
S313	Front of Left Rear Wheel Well	7
S314	Front of Left Rear Wheel Well	7
S315	Near Right Rear Lamp Assembly	7
S316	In T/O for Rear Fog Lamp	7

DESCRIPTION AND OPERATION (Continued)

Splice Number	Location	Fig.
S317	Near T/O for Right License Lamp	7
S320	In T/O for Fuse Block	5
S330	In T/O for Fuse Block	5
S331	Near T/O for Airbag Control Module	5
S332	Between Grommeted T/O to Windshield Wiper Motor and Left Door Ajar Switch	5

Splice Number	Location	Fig.
S400	Near Rear Wiper Motor Connector	N/S
S401	Near Rear Wiper Motor Connector	N/S

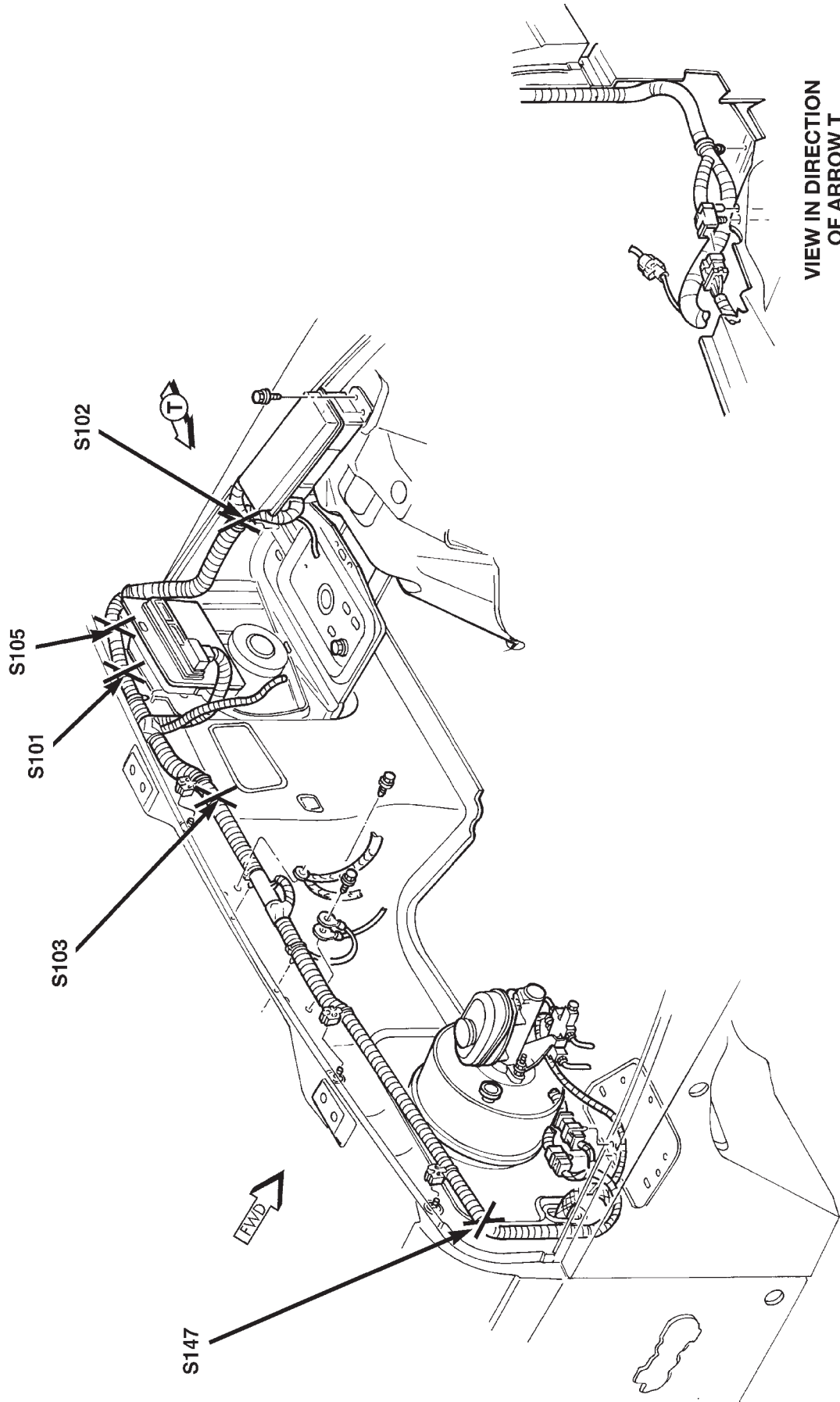
DESCRIPTION AND OPERATION (Continued)



80b31e7a

Fig. 1 Engine Compartment Splices—Front, RHD

DESCRIPTION AND OPERATION (Continued)



80b31e7b

Fig. 2 Engine Compartment Splices—Rear, RHD

DESCRIPTION AND OPERATION (Continued)

80b31e7c

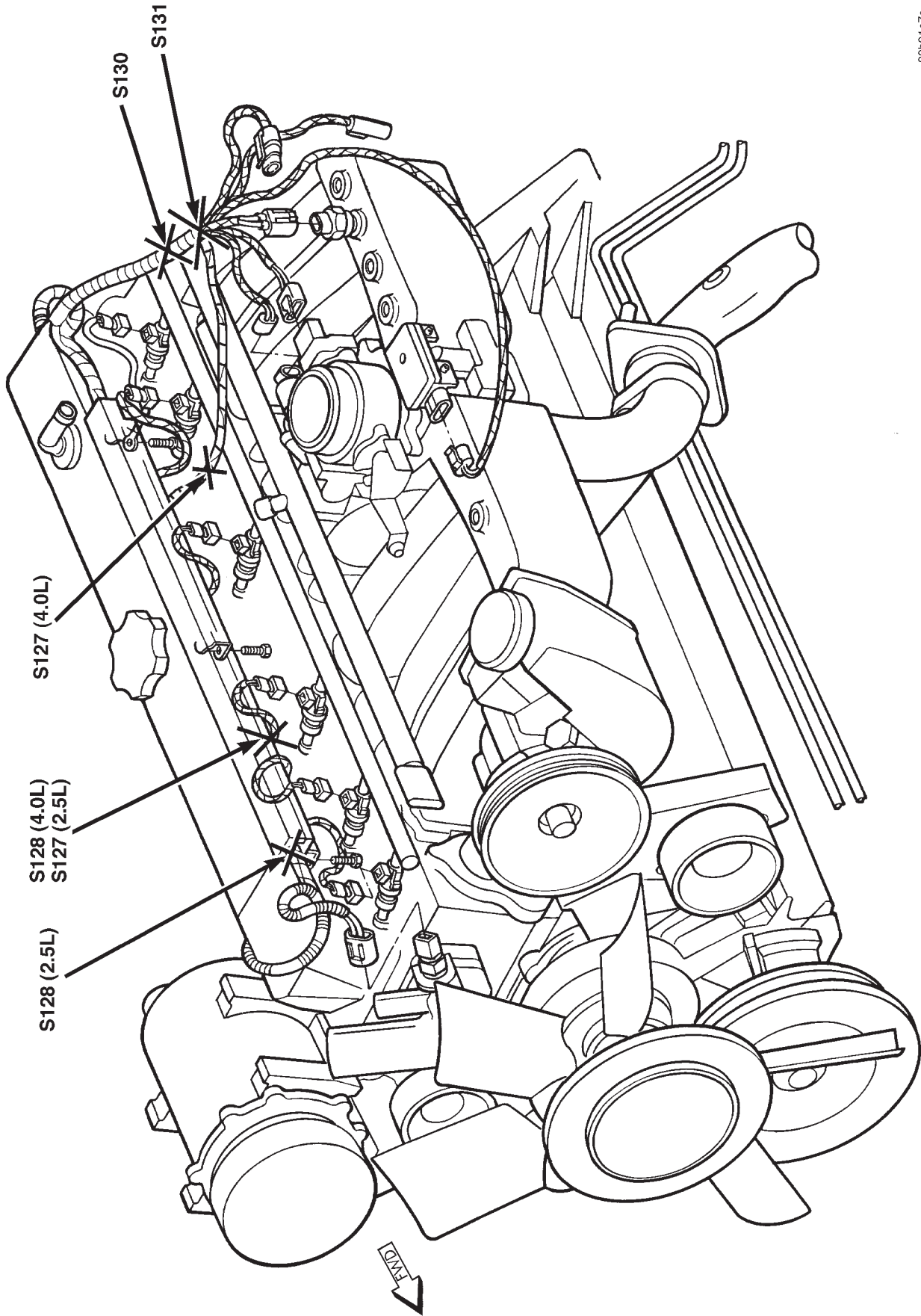


Fig. 3 Engine Wiring Splices — RHD

DESCRIPTION AND OPERATION (Continued)

80b31e7e

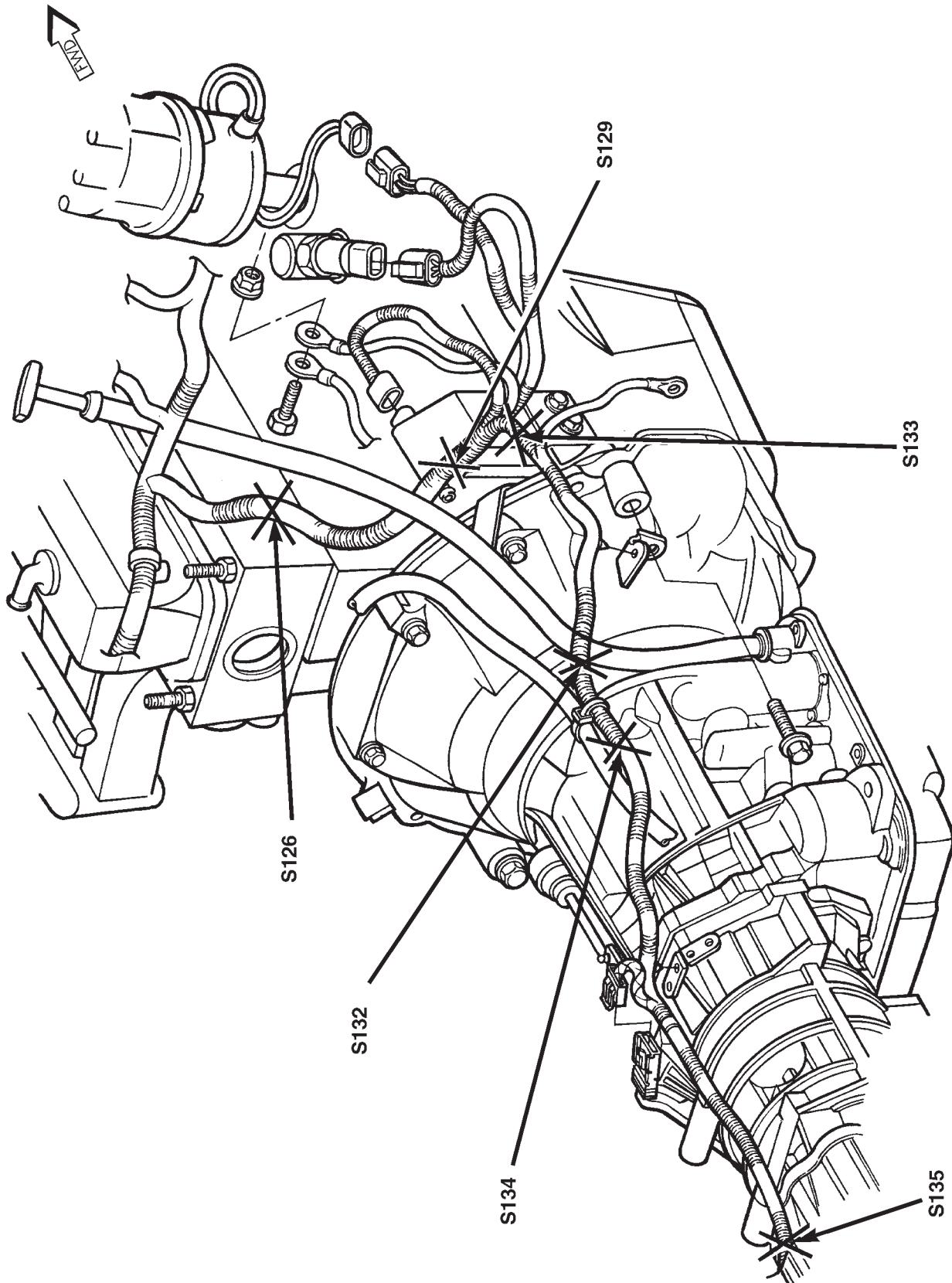
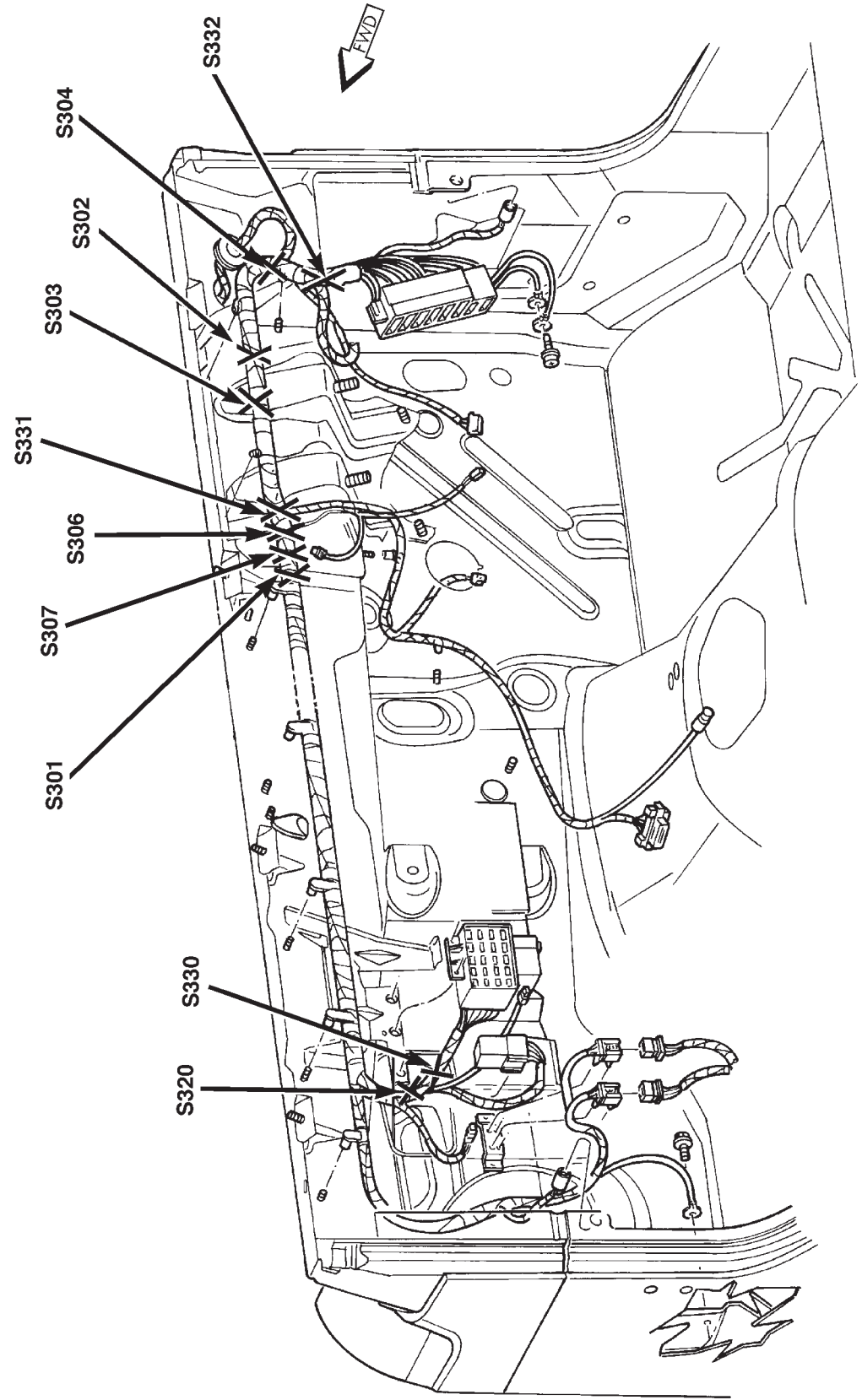


Fig. 4 Engine Wiring Splices — RHD

DESCRIPTION AND OPERATION (Continued)



80031e7f

Fig. 5 Dash Panel Wiring Splices — RHD

DESCRIPTION AND OPERATION (Continued)

80631e80

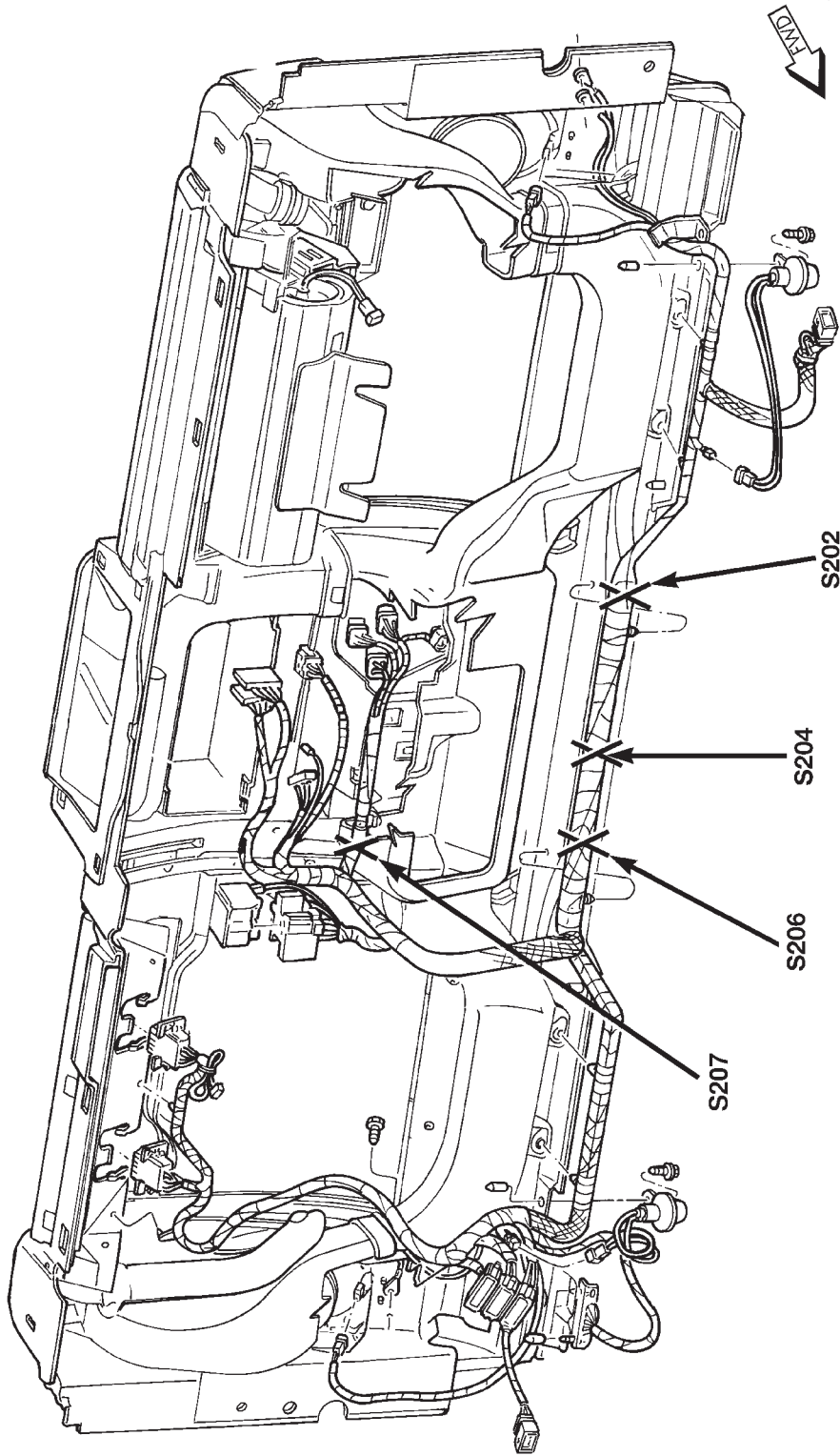
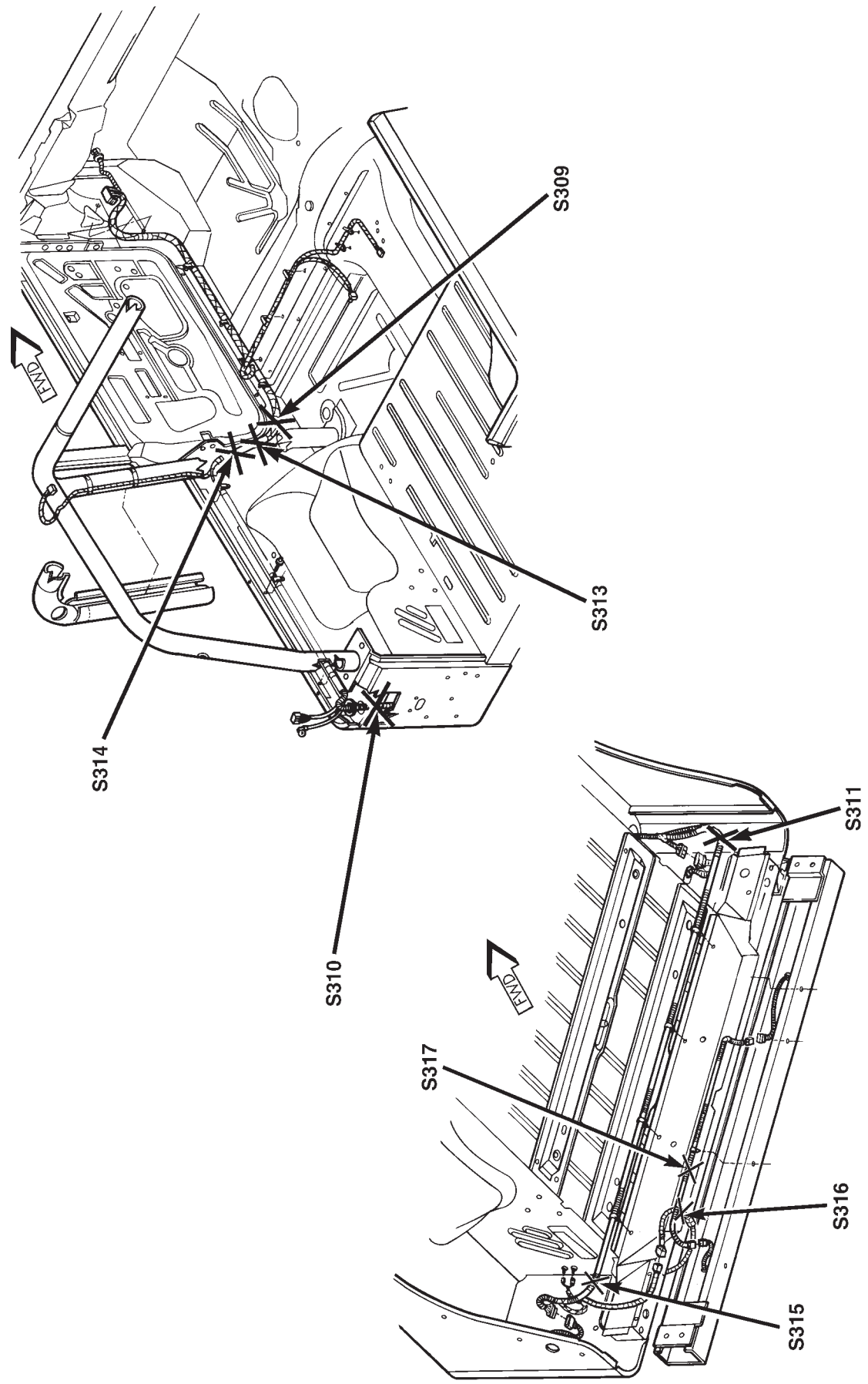


Fig. 6 Instrument Panel Wiring Splices — RHD

DESCRIPTION AND OPERATION (Continued)



80b31e81

Fig. 7 Body Wiring Splices — RHD