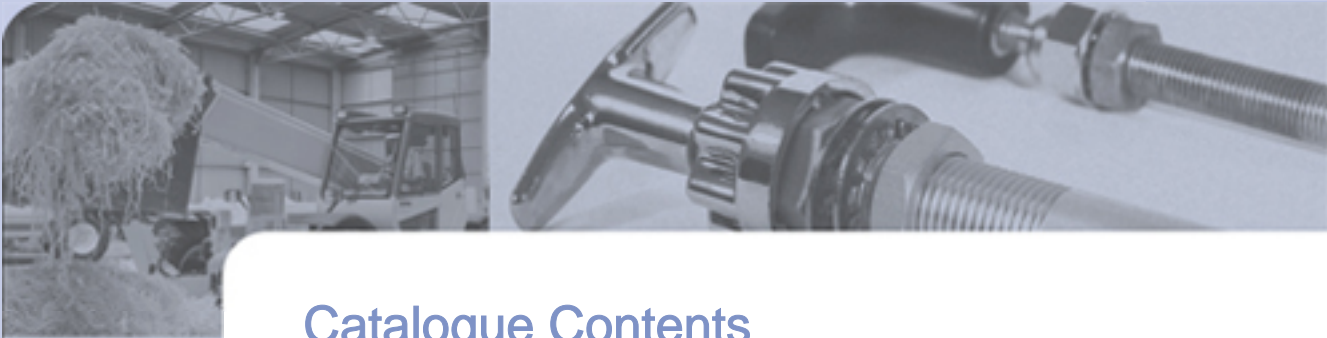




# INDUSTRIAL CATALOGUE

Teleflex®



## Catalogue Contents

<b>Control Cables</b>	<b>1</b>
<b>Linkage Assemblies</b>	<b>8</b>



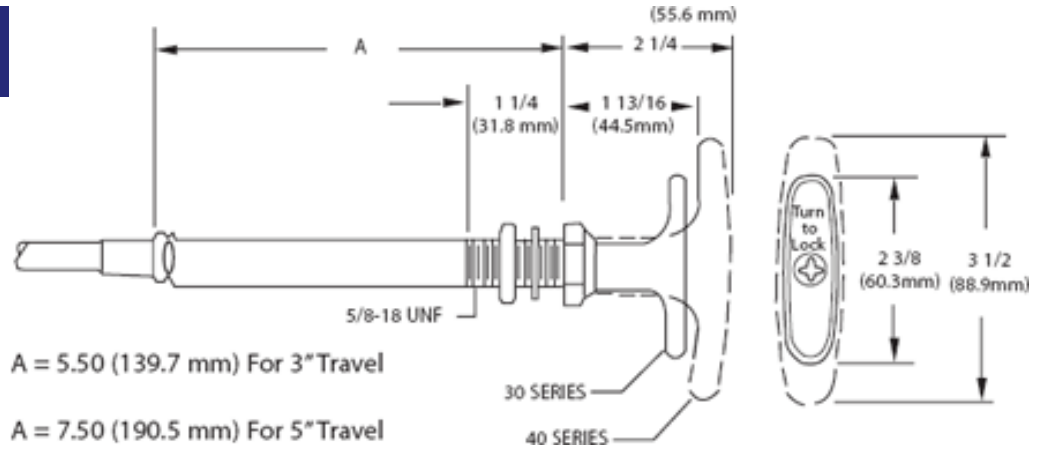
## Contents

Positive Lock Cables - 40 Series	2
Vernier Control Cables	3
PTO Cables	6
Choke Cables	7

# CONTROL CABLES

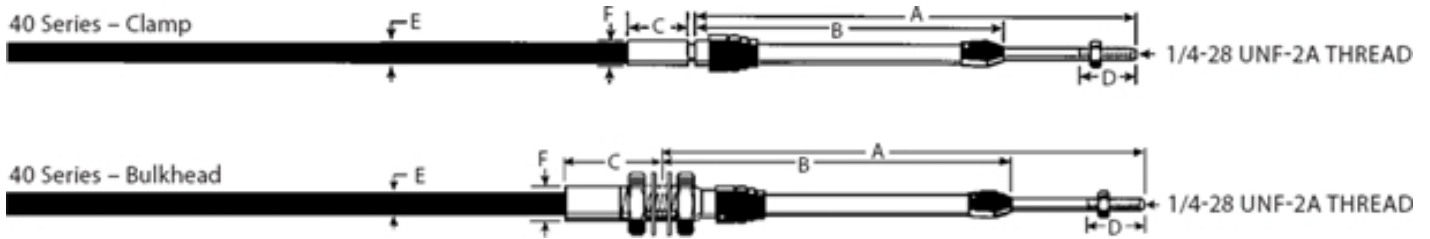


**40 Series Positive Lock Cable comes standard with Aluminium Handle.**



## Cable End Types

Positive Locks allow settings to be made and released by turning the T-Handle less than 1/8 of a turn in either direction.



Part Number	End Type	Travel	A	B	C	D	E DIA	F DIA	Min Bend Radius
043145	Bulkhead	2" (50.8)	6.88 (174.2)	4.00 (101.6)	1.44	1.00	0.34	0.44	5" (127.0)
043144	Clamp		6.19 (152.2)	3.31 (157.2)	1.13	1.00	0.34	0.38	
043145	Bulkhead	3" (76.2)	6.88 (174.2)	4.00 (101.6)	1.44	1.00	0.34	0.44	5" (127.0)
043144	Clamp		8.88 (225.5)	5.00 (127.0)	1.13	1.00	0.34	0.38	
043145	Bulkhead	4" (101.6)	10.88 (276.3)	6.00 (152.4)	1.44	1.00	0.34	0.44	5" (127.0)
043144	Clamp		10.19 (258.8)	5.31 (134.8)	1.13	1.00	0.34	0.38	
043145	Bulkhead	5" (127.0)	11.88 (301.7)	7.00 (177.8)	1.44	1.00	0.34	0.44	5" (127.0)
043144	Clamp		11.19 (284.2)	6.13 (160.2)	1.13	1.00	0.34	0.38	

## PART NUMBERING SYSTEM

### Cable Measurement

When measuring a 40 series positive lock cable with rod & sleeve, measure from top of threaded section, under T Handle to Tip of Rod.

Note: 40 Series Positive Lock Cables are only manufactured with a rod and sleeve.

X X X X X X

**CABLE SERIES PART NUMBER**

043145 = Positive Lock B hub  
043144 = Positive Lock C hub

- X -

**TRAVEL IN INCHES**

2"  
3"  
4"  
5"

- X X X X

**CABLE LENGTH IN CENTIMETRES**

Place 0's in the first two positions if less than 1.00 metre.

**EXAMPLE: 043145-3-0150**

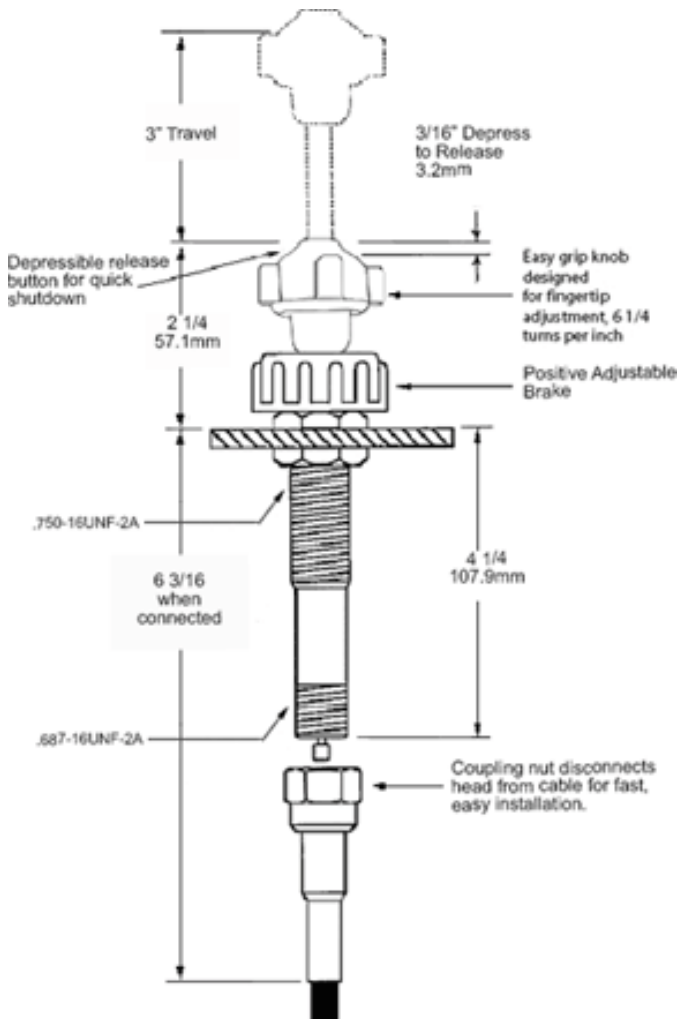
Positive Lock Cable with 3" Travel, Bulkhead hub at 1.50m.



The Teleflex Vernier Control is the premium mechanical control cable for setting engine RPM and other micro/macro adjustments.

Applications range from generator sets, to manual throttles for warm up on a wide variety of on and off-road vehicles.

### Vernier Control Head Part Number: (317310)



### Key Features

- **Fast and Simple Installation** – can be mounted independently to the the dash and then connected to the cable on the other side of dash or firewall.
- **Positive Adjustment** – depress the red release button and pull the Vernier knob out until an approximate rpm or setting is achieved.
- **Positive Adjustable Brake** – precise settings can be maintained through vibration or governor back pressure by setting the correct amount of friction on the brake.
- **Fast Shutdown** – simply depress top of grip and simultaneously push in the knob for immediate shutdown.



## Fast and Simple Installation

The vernier control head is easily disconnected from the cable by simply backing off the coupling nut and disengaging the connectors. This feature eliminates pushing cables through mounting cutouts and trying to route from the cab end. The control head can be mounted independently to the dash and then connected to the cable on the other side of the dash or firewall.

## Operating Loads

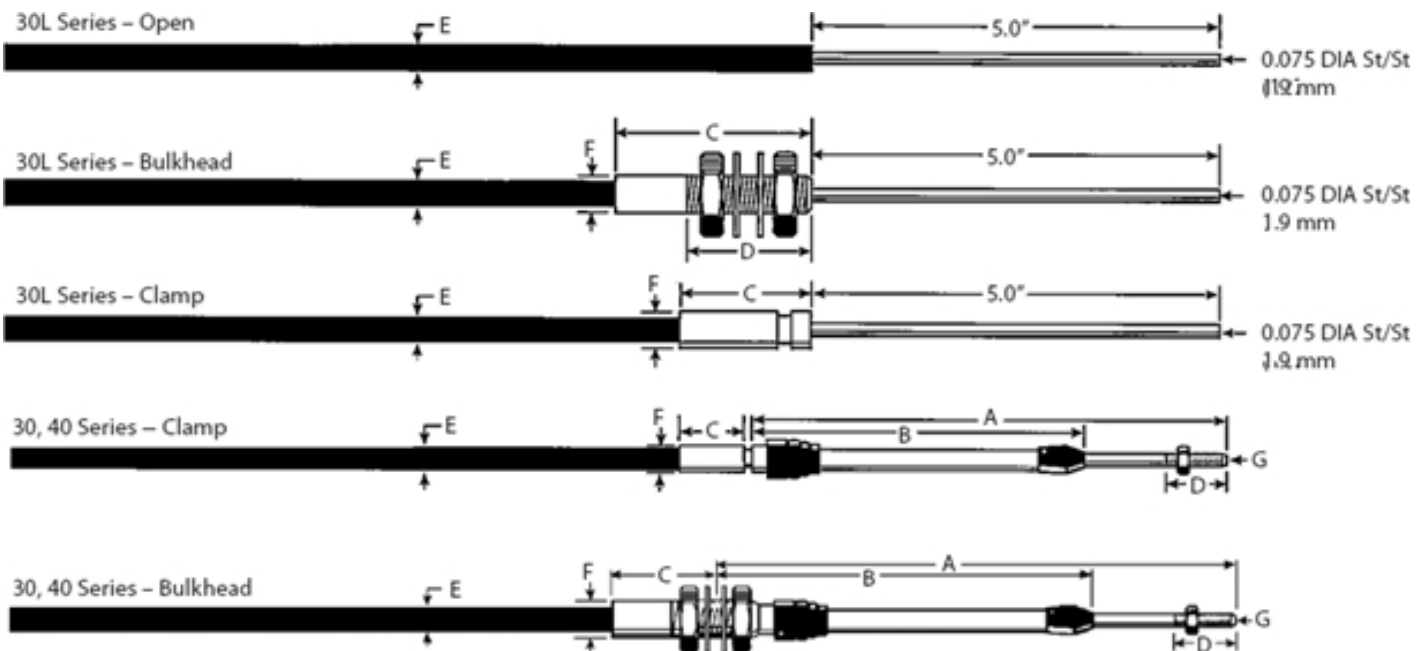
The Vernier Control is recommended for operating loads up to 9 kgs regardless of the series cable selected. The control can withstand much higher operating loads, but human engineering factors come into play at about 20 lbs. Operating finger-tip type controls at loads above 20 lbs. can cause fatigue and discomfort to operator's fingers and hands.

Consideration should be given to a different type of control for loads exceeding 20 lbs.

## Cable Travel

The Quick Release Vernier features a standard 3" of travel. Travel under 3" can be accommodated using an L type cable and a stop collar or pivot on the core wire to restrict travel. Reduced travel with 30 or 40 series cables with rod type out put ends can be accommodated with stops on the lever or mechanism for which the cable is attached.

	Series Description	End Type	Cable Series Part Number (Cable Only)	Cable Series Part Number (Cable w/Head)	Min Bend Radius	A	B	C	D	E	F	G Thread UNF-2A
Bare Wire	30L	Open	307141	307544	5"	-	-	-	-	0.26	-	-
	30L	Bulkhead	307142	307545	5"	-	-	1.88	-	0.26	0.44	-
	30L	Clamp	307143	307546	5"	-	-	1.31	-	0.26	0.38	-
Rod & Sleeve	30	Bulkhead	307144	307547	5"	8.88	5.00	1.44	0.88	0.26	0.44	10-32
	30	Clamp	307145	307548	5"	9.13	4.13	1.13	0.88	0.26	0.38	10-32
	40	Bulkhead	307146	307549	5"	9.13	5.13	1.76	1.0	0.26	0.44	1/4-28
	40	Clamp	307147	307550	5"	8.50	4.50	1.38	1.0	0.26	0.38	1/4-28





## PART NUMBERING SYSTEM

X X X X X X

-

X

-

X X X X

### CABLE SERIES PART NUMBER

- 307545 = 30L Series Vernier w/Head B NRS
- 307141 = 30L Series Vernier Only OPEN NRS
- 307142 = 30L Series Vernier Only B hub NRS
- 307143 = 30L Series Vernier Only C hub NRS
- 307144 = 30 Series Vernier Only B hub WRS
- 307145 = 30 Series Vernier Only C hub WRS
- 307146 = 40 Series Vernier Only B hub WRS
- 307147 = 40 Series Vernier Only C hub WRS
- 307546 = 30L Series Vernier w/Head C NRS
- 307547 = 30 Series Vernier w/Head B hub WRS
- 307548 = 30 Series Vernier w/Head C hub WRS
- 307549 = 40 Series Vernier w/Head B hub WRS
- 307550 = 40 Series Vernier Only C hub WRS
- 307544 = 30L Series Vernier w/Head OPEN NRS

### TRAVEL IN INCHES

- 2"
- 3"

### CABLE LENGTH IN CENTIMETRES

Place 0's in the first two positions if less than 1.00 metre.

### EXAMPLE: 307545-3-0150

Vernier Control Cable with 3" Travel, Bulkhead hub at 1.50m.

## Measuring and ordering

All cables with exposed wire are measured to the point where the core wire exits the cable conduit.

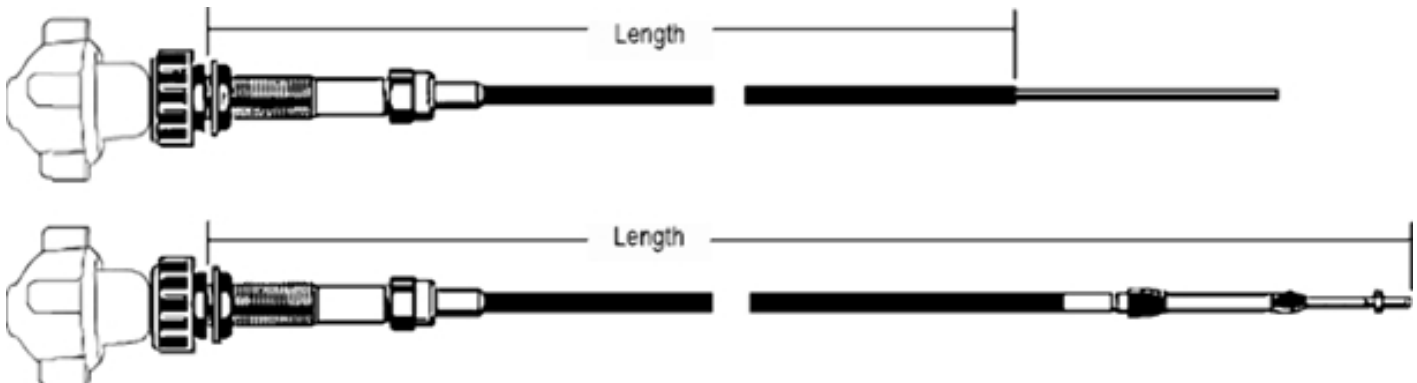
Cables with rod-type end fittings are measured to the rod end.

A Quick Release Vernier Control can be ordered as two separate items. Use part number 317310 for the Vernier Control Head.

Then order the desired cable part number (see chart above), immediately followed by the desired cable length in quarter metre increments.

Part Number	Vernier Accessories
317310	Vernier Control Head (Black)
317415	Vernier Control Head (Red)
037693	Stop Collar
043229	Conduit Clamp
047639	Pivot Core Fitting 1/8"
047640	Pivot Core Fitting 3/16"
047641	Pivot core Fitting 1/4"
300673	30L Bulkhead Adaptor Kit
302485	30L Clamp Adaptor Kit
045477	Vernier Boot Black
060327	Vernier Boot Red
031509	Clamp

Note: Cable length stamped on the cable is the overall length that is achieved when the vernier control head is attached to the cable





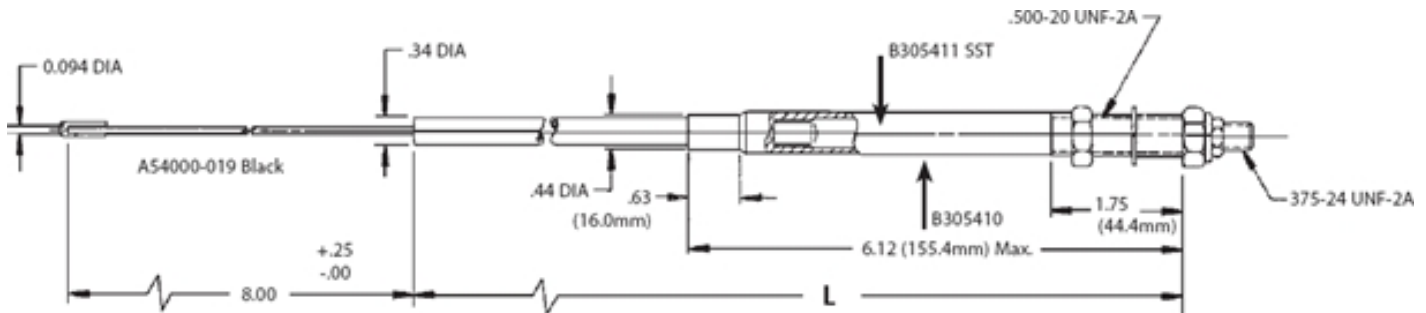
Classic Teleflex quality is built into this PTO cable. It's tough polyethylene outer jacket provides protection from weather, splash, and spray, while the stainless steel core moves smoothly inside a specially formulated polyethylene liner. In addition, the knob is solid to withstand the rigors of heavy duty use.

**Complete Interchangeability and Simple Installation**

Teleflex's thread sizes make this cable 100% interchangeable with other manufacturers of PTO cables. Our PTO cable is ideal for both new and replacement applications. It has 5 full inches of travel, is available in 1/2 metre increments, and can be cut to required lengths by the user for specific applications



Part Number	Cable Hardware
305413 XXXX (Length in centimetres)	PTO Cable
062267	Hub Adaptor Kit
302001	PTO Conduit Kit
305481	Red Knob Only



**PART NUMBERING SYSTEM**



**CABLE SERIES  
PART NUMBER**

305413 = PTO



**CABLE LENGTH  
IN CENTIMETRES**

Place 0's in the first two positions if less than 1.00 metre.

**EXAMPLE: 3054130150**

PTO Cable with 5" Travel at 1.50m.



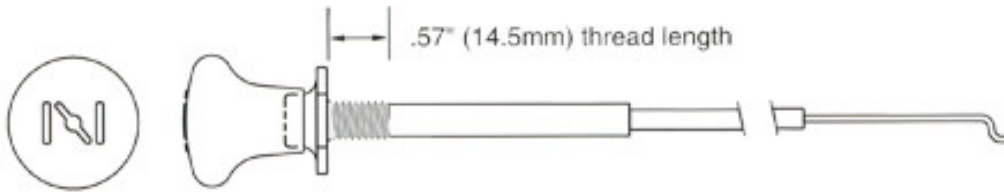


Through the Global resources of Teleflex we are now able to offer the world respected Capro choke control cables.

This weather resistant choke control cable features a positive detent in the closed position helping to seal out dirt and moisture and eliminates inadvertant movement due to engine vibration. This choke control meets a range of temperature and routing conditions with a working load at up to 35 lbs/55N. This cable is available in 4 different lengths and can be simply cut to suit the application.



Part number	Description
73-0303-01	Choke cable 1.50m
73-0303-02	Choke cable 2.00m
73-0303-03	Choke cable 2.50m
73-0303-04	Choke cable 3.00m

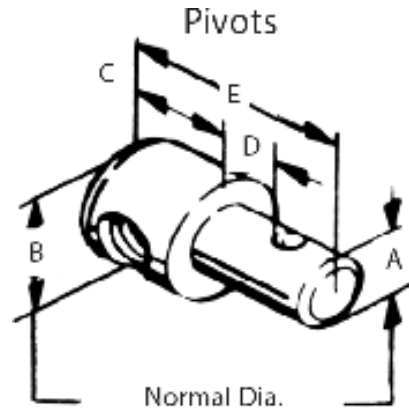




## Contents

Pivots	9
Stop Collars	10
Core Fittings	11
Terminal Eyes	12
Cable Adapter Kits	13
Cable Hook Clips	14
Clamps and Shims	15
U-Bolt Kits	17

# LINKAGE ASSEMBLIES

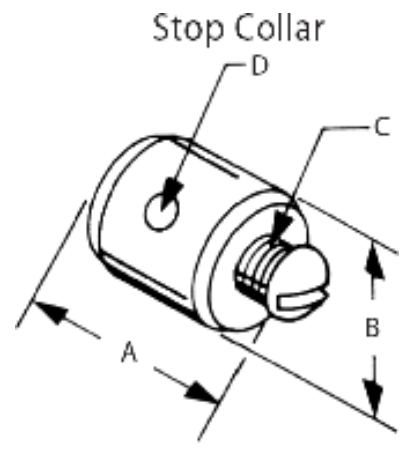


30 Series Pivots					
Part Number	A	B	C	D	E
031029-001	1/4 (6.4)	7.16 (11.2)	21/64 (8.3)	9/64 (63.5)	5/8 (15.9)
031539-001	1/4 (6.4)	7.16 (11.2)	3/8 (9.5)	.191 (4.9)	23/32 (18.3)
032392-001	1/4 (6.4)	7.16 (11.2)	21/64 (8.3)	.295 (7.5)	25/32 (19.8)

40 Series Pivots					
Part Number	A	B	C	D	E
031537-001	1/4 (6.4)	1/2 (12.7)	1/2 (12.7)	13/64 (5.2)	7/8 (22.2)
036361-001	1/4 (6.4)	1/2 (12.7)	1/2 (12.7)	17/64 (6.7)	15/16 (23.8)
045199	5/16 (7.9)	1/2 (12.7)	9/16 (14.3)	9/64 (3.6)	29/32 (23.0)

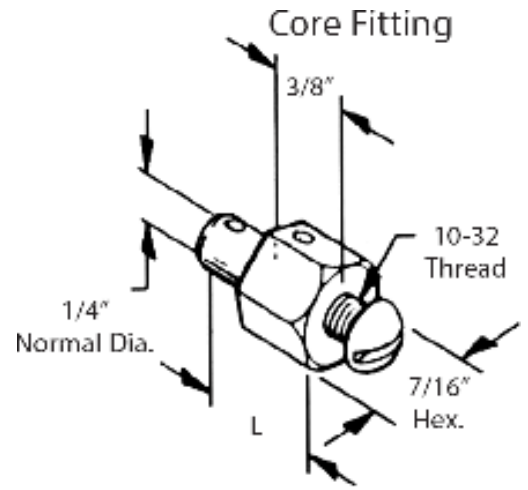


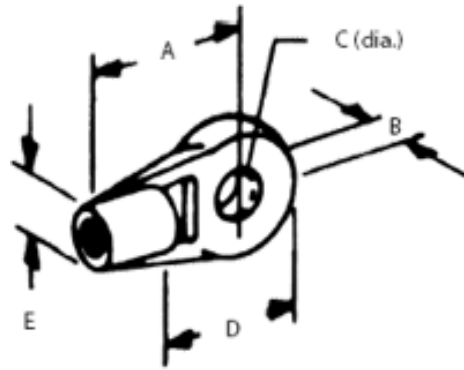
30 Series Stop Collar				
Part Number	A	B	C	D
037693	3/8 (9.5)	3/8 (9.5)	8/32 -	3/32 (2.4)





30 Series Core Fittings		
Part Number	Lever Thickness	"L" Dim.
047639	1/8 (3.0)	21.32 (16.5)
047641	1/4 (6.4)	13/16 (20.6)
047640	3/16 (4.6)	3/4 (19.0)





30 Series Terminal Eyes						
Part Number	A	B	C	D	E	Material
031980	1 (25.4)	15/64 (6.0)	5/16 (9.7)	3/4 (19.1)	1/2 (12.7)	Aluminium
300646	1 (25.4)	15/64 (6.0)	5/16 (9.7)	3/4 (19.1)	1/2 (12.7)	Nylon

40 Series Terminal Eyes						
Part Number	A	B	C	D	E	Material
037639	1 (25.4)	15/64 (6.0)	5/16 (7.9)	3/4 (19.1)	1/2 (12.7)	Aluminium
041134	1 3/8 (39.4)	5/16 (7.9)	5/16 (7.9)	3/4 (19.1)	1/2 (12.7)	Steel
046170	1 3/8 (39.4)	5/16 (7.9)	1/4 (6.4)	3/4 (19.1)	1/2 (12.7)	Steel



### 30L Cable Adapter Kits

Part number	Description
300673	Bulkhead Adapter Kit
302485	Clamp Adapter Kit

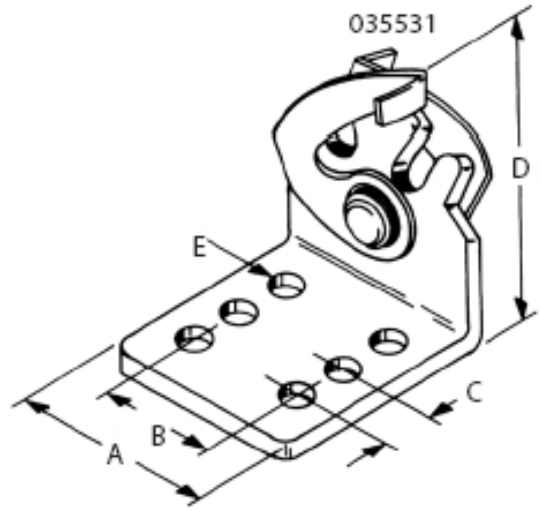
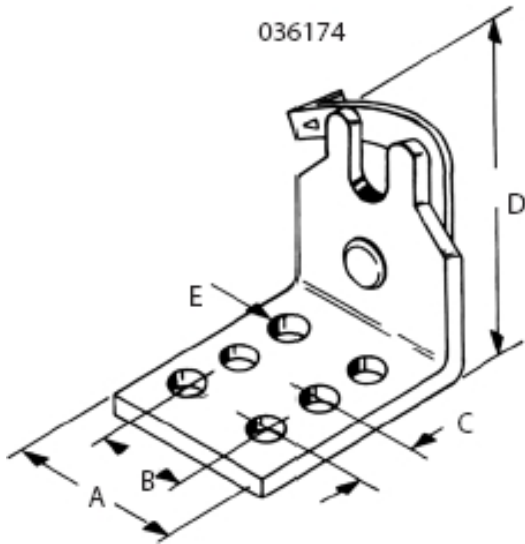
These field hubs are for use on 30L Series cables such as utility and vernier cables.



300673



302485



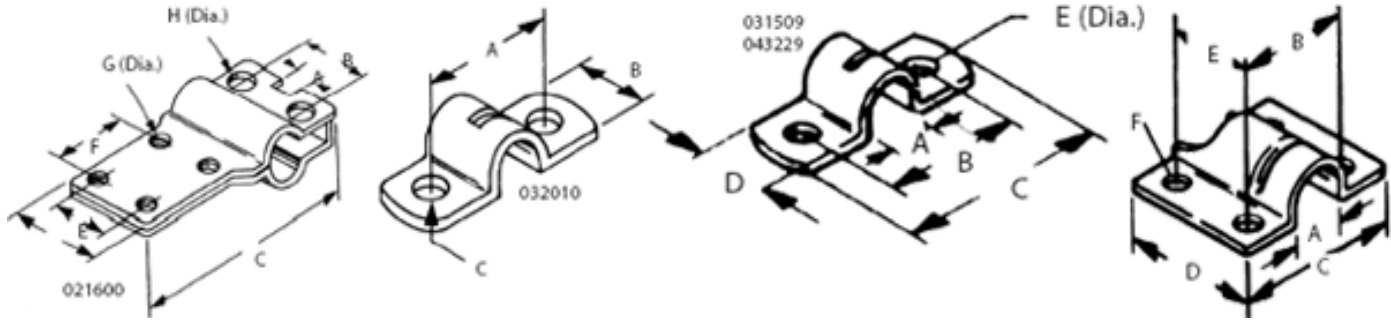
These clamps are for use on 30 series cables only.

Cable Hook Clip					
Part Number	A	B	C	D	E
036174 (Single)	1 (25.4)	1/2 (12.7)	3/8 (9.5)	1 1/2 (38.1)	13/64 (5.1)
035531 (Dual)	1 (31.8)	3/4 (19.0)	3/8 (9.5)	1 1/2 (38.1)	13/64 (5.1)



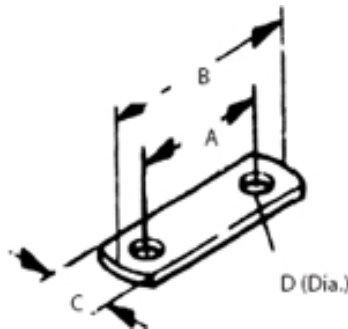


## Clamps



Clamps									
Part Number	Cable Type	A	B	C	D	E	F	G (DIA)	H (DIA)
031509	30 Series	3/8 9.5	1 25.4	1 1/2 (38.1)	1/2 (12.7)	12/64 (5.1)	na	na	na
043229	30 Series	1/4 (6.4)	1 (25.4)	1 1/2 (38.1)	1/2 (12.7)	7/32 (5.6)	na	na	na
032010	30 Series	7/8 (22.2)	1/2 (12.7)	3/16 (4.7)	na	na	na	na	na
021600	30 Series	1/4 (6.4)	7/8 (22.2)	2 3/4 (69.8)	1 1/4 (31.8)	3/4 (18.92)	1 (25.4)	13/64 (5.16)	17/64 (6.76)
021227	40 Series	1/2 (12.7)	1 (25.4)	1 1/2 (38.1)	1 1/4 (38.1)	3/4 (19.1)	7/32 (5.6)	na	na
031532	40 Series	1/2 (12.7)	1 (25.4)	1 1/2 (38.1)	1/2 (12.7)	na	7/32 (5.6)	na	na
036733	60 Series	9/16 (14.3)	1 1/4 (31.8)	1 3/4 (44.5)	3/4 (15.9)	9/32 (7.1)	na	na	na

## Shims



Shims				
Part Number	A	B	C	D
035777	7/8 (22.2)	1 3/8 (34.9)	1/2 (12.7)	13/64 (5.1)
031538	1 (25.4)	1/2 (38.1)	1/2 (12.7)	13/64 (5.1)
037884	1 1/4 (31.8)	1 3/4 (44.5)	5/8 (15.9)	9/32 (7.1)



## Clamp and Shim Assembly

Clamp & Shim Assembly	
Part Number	Description
031804	Mild Steel Kit includes (1) Clamp, (1) Shim and (2) Nut and bolts
031804SS	Stainless Steel Kit includes (1) Clamp, (1) Shim and (2) Nut and Bolts
042756	Mild Steel Kit includes (1) Clamp, (1) Shim
037885	Mild Steel Kit includes (1) Clamp, (1) Shim



<b>40 Series U-Bolt Kits</b>	
<b>Part Number</b>	<b>Description</b>
063651	40 series U-Bolt Kit for 40C cables

<b>60 Series U-Bolt Kits</b>	
<b>Part Number</b>	<b>Description</b>
063988	60 series U-Bolt Kit for 60C cables

P.O. BOX 219  
WILLOUGHBY NSW 2068,  
1 MCCABE PLACE  
CHATSWOOD NSW 2067  
AUSTRALIA

TEL: (02) 9417 6099

FAX: (02) 9417 8969

EMAIL: [sales.info@teleflex.com.au](mailto:sales.info@teleflex.com.au)

WEBSITE: <http://www.teleflex.com.au>

**Teleflex®**

DISTRIBUTOR